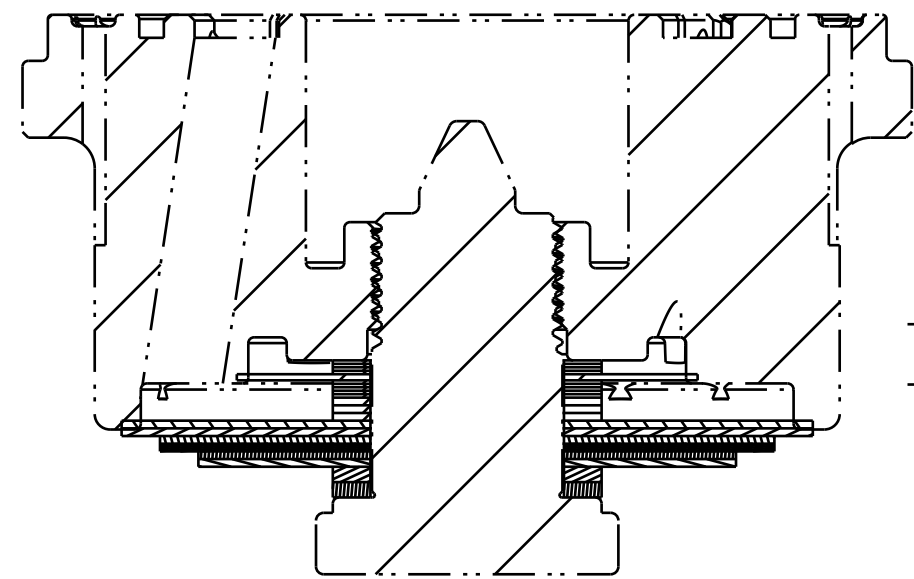


4

3

2

1



SECTION A-A  
SCALE 4:1

(.079 )  
[1,99]

SCALE 4:1

.018±.002  
[0,46±0,05]  
.061±.003  
[1,54±0,07]  
.100±.003  
[2,54±0,07]

Valve: [.600 OD X .252 ID X .008 TH]

Valve:[0.350 OD x 0.252 ID x 0.0045 TH]

Valve: [.350 OD X .252 ID X 0.010 TH]

Valve: [.900 OD X .252 ID X .010 TH]

Valve: [.800 OD X .252 ID X .010 TH]

Valve: [.700 OD X .252 ID X .010 TH]

Valve: [.350 OD X .252 ID X .020 TH]

Valve: [.900 OD X .252 ID X .010 TH]

Valve: [.800 OD X .252 ID X .010 TH]

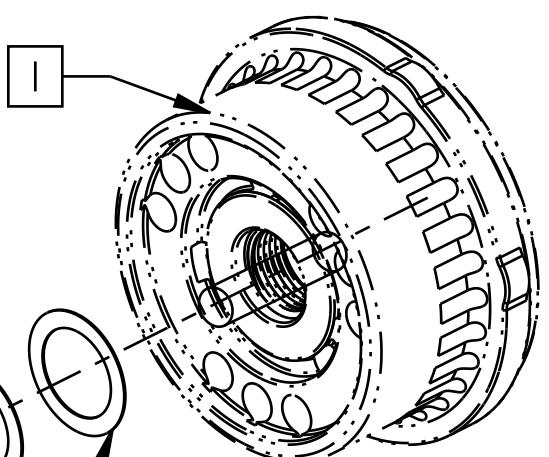
Valve: [.700 OD X .252 ID X .010 TH]

Valve: [.350 OD X .252 ID X .020 TH]

Valve:[0.350 OD x 0.252 ID x 0.0045 TH]

Valve: [.350 OD X .252 ID X 0.010 TH]

I BASE VALVE AND BOLT SHOWN FOR REFERENCE PURPOSES



**FOX** FOX Factory, Inc. Ph 831-768-1100  
130 Hangar Way, Watsonville, CA 95076 USA Fax 831-768-9312

TITLE  
Valve Stack Assy: 2022 FLOAT X & DHX,  
Base Valve, Lever Mode Medium, LM

SIZE DWG. NO. **C** 805-05-202-KIT

PLOT SCALE 2:1 SHEET 1 OF 1

- PROPRIETARY -  
THIS DOCUMENT CONTAINS CONFIDENTIAL, PROPRIETARY INFORMATION  
THAT IS FOX PROPERTY. DO NOT DISCLOSE TO OR DUPLICATE  
FOR OTHERS EXCEPT AS AUTHORIZED BY FOX.

4

3

2

1

ProE ASSEM