



marzocchi

B O M B E R
AIR

SHOCK OWNER'S GUIDE

TABLE OF CONTENTS

ENGLISH	3
FRANÇAIS	9
ITALIANO	15
DEUTSCH	21
ESPAÑOL	27
PORTUGUESE	33
CHINESE	39

CONGRATULATIONS!

Thank you for choosing a Marzocchi suspension product for your bicycle. Marzocchi suspension products are designed and tested by the finest professionals in the industry, in Santa Cruz County, California, USA. Follow the guidelines and instructions provided in this owner's guide, so that you are able to properly set up, use, and maintain your new Marzocchi product.

More information and videos are available at www.Marzocchi.com, or call Marzocchi US at 1.800.369.7469, or contact an Authorized International Marzocchi Service Center at www.Marzocchi.com. If access to the Internet is not available to you, contact Marzocchi to order a paper copy of the online Marzocchi owner's manual for your product, free of charge.

WARNING AND SAFETY INFORMATION

Marzocchi products should be installed by a professional bicycle service technician, in accordance with Marzocchi installation specifications. Improperly installed forks can fail, causing the rider to lose control resulting in SEVERE INJURY OR DEATH.

Modification or alteration of a Marzocchi product can cause product failure resulting in SEVERE INJURY OR DEATH. Never modify or alter ANY part of a Marzocchi product.

Marzocchi bicycle suspension products may also be used on pedal-assisted motorized cycles or motorized vehicles that produce less than 250 watts of power. DO NOT use Marzocchi Bicycle suspension products on vehicles that produce 250 watts of power or more.

DO NOT use any Marzocchi bicycle suspension products on any pedal-assisted motorized cycle or motorized vehicle that produces more than 500 watts of power. DO NOT use any Marzocchi bicycle suspension product on any throttle-equipped motorized vehicle.

Misuse of Marzocchi suspension products may cause the suspension to fail, resulting in property damage or SERIOUS INJURY OR DEATH, and void the warranty.

DO NOT use Marzocchi bicycle suspension products on any vehicle carrying more than one operator or rider, such as a tandem bicycle or heavy utility bicycle.

Improper service, or use of non-Marzocchi replacement parts with Marzocchi shocks may cause the product to malfunction, resulting in SEVERE INJURY OR DEATH.

Never use a power washer to clean your Marzocchi product.

Follow your brake manufacturer's installation instructions for proper installation and adjustment of the brake system. Failure to properly install and adjust your brakes can lead to a loss of control of the bicycle, which can result in SEVERE INJURY OR DEATH.

Your shock may fail under conditions that cause bending and/or breaking to any part of the shock. Any condition that causes a loss of air and/or oil, such as a collision or extended periods of non-use, may also cause your shock to fail. A damaged and/or leaking shock can fail, resulting in a crash and SEVERE INJURY OR DEATH. If you suspect your shock has been damaged, stop riding immediately and contact Marzocchi for inspection and repair.

Never attempt to pull apart, open, disassemble, or service a Marzocchi shock that is in a "stuck down" condition. A "stuck down" condition results from a failure of the dynamic air seal (located between the positive and negative air chambers within the shock air sleeve), resulting with the negative chamber retaining a higher pressure than the positive chamber. To test whether the shock is in fact "stuck down":

Remove the air cap and depress the Schrader valve, to completely release air pressure from the positive chamber of the shock.

If the shock body retracts into the air sleeve near bottom-out after the air is released from the positive chamber, attach a high-pressure pump and pressurize the shock to 250 psi (17 bar).

If the shock does not fully extend, it is in a "stuck down" condition.

Any attempt to service Marzocchi air shocks in the "stuck down" condition can lead to SERIOUS INJURY OR DEATH. Contact Marzocchi or an Authorized Service Center for repair.

REAR SHOCK INSTALLATION

WARNING

Rear shock setup and configuration varies greatly between different bicycle manufacturers. Be sure to refer to the owner's manual for your bicycle. Marzocchi products should be installed by a qualified bicycle service technician, in accordance with Marzocchi installation specifications. Improperly installed shocks can fail, causing the rider to lose control, resulting in **SERIOUS INJURY OR DEATH**.

If you are installing your shock on a bike for which the shock was not original equipment, follow the steps below to ensure proper clearance before riding.

AIR SHOCKS

1. Install the shock onto your frame according to your frame manufacturer's instructions.
2. Remove the air cap, attach a shock pump, then **SLOWLY** release all air out of the main air chamber.
3. Slowly compress the suspension through its entire travel.
4. Check that the shock does **NOT** contact any portion of your frame or linkage as it cycles through its travel.
5. Set the sag according to the following instructions.

SAG SETTING

To achieve the best performance from your Marzocchi suspension, adjust the air pressure to attain your proper sag setting. Sag is the amount your suspension compresses under your weight and riding gear. Sag range should be set to 25-30% of total shock travel.

1. Turn the compression adjuster fully counter-clockwise to the Open mode.
2. Start by setting the shock air pressure (psi) to match your weight in pounds. With the air pump attached to the shock valve, slowly cycle your shock through 25% of its travel 10 times as you reach your desired pressure. This will equalize the positive and negative air chambers and will change the pressure on the pump gauge.
3. Do not exceed maximum air pressure: BOMBER AIR shocks have a maximum air pressure of 350 psi.
4. Remove the pump.
5. Sit still on the bike in your normal riding position, using a wall or a tree for support.
6. Pull the sag indicator o-ring up against the rubber air sleeve seal.
7. Carefully dismount the bike without bouncing.
8. Measure the distance between the sag indicator o-ring and the rubber air sleeve seal. Compare your measurement to the 'Suggested Sag Measurements' table.
9. Add or remove air pressure until you reach your desired sag measurement.



Suggested Sag Measurements		
Travel	25% sag (Firm)	30% sag (Plush)
45 mm (1.7 in)	11.25 mm (0.44 in)	13.5 mm (0.53 in)
55 mm (2.16 in)	13.75 mm (0.54 in)	16.5 mm (0.65 in)
65 mm (2.56 in)	16.25 mm (0.64 in)	19.5 mm (0.77 in)
75 mm (2.95 in)	18.75 mm (0.74 in)	22.5 mm (0.88 in)



Do not exceed maximum air pressure:
BOMBER AIR maximum air pressure is **350 psi**.

AIR SLEEVE

ADDING AIR PRESSURE

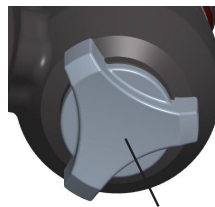
Equalize the positive and negative air chambers by slowly compressing the shock through 25% of its travel 10-20 times after every 50 psi addition. Failure to equalize the chambers can result in greater pressure in the positive air chamber than the negative chamber. If the shock feels very stiff and is in the topout position, compress the shock until you hear or feel air transfer. Hold the shock in this compressed position for a few seconds.

RELEASING AIR PRESSURE

Release air slowly so the air from the negative chamber can also be released through the Schrader valve. Releasing the air pressure too quickly can cause the negative chamber to have more pressure than the positive chamber. If the shock is compressed into its travel and does not fully extend, add air pressure until the shock extends, then slowly compress the shock through 25% of its travel 10-20 times.

COMPRESSION ADJUSTMENT

The Low-Speed Compression knob allows for changes in low-speed compression damping. Turn the knob clockwise to increase compression damping and counter-clockwise to decrease compression damping. Begin by setting the compression adjuster to the OPEN setting, fully counter-clockwise.

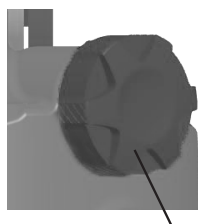


LOW-SPEED COMPRESSION
ADJUSTER

REBOUND ADJUSTMENT

The rebound adjustment is dependent on the air pressure setting. For example, higher air pressures require slower rebound settings. Use your air pressure to find your rebound setting. Turn your rebound knob to the closed position, clockwise until it stops. Then turn it counter-clockwise to the number of clicks shown in the table below.

Rebound	
Air Pressure (psi)	Starting Rebound Setting
<100	10
100-120	10
120-140	9
140-160	8
160-180	7
180-200	6
200-220	5
220-240	4
240-260	3
260-280	2
280-300	1



REBOUND ADJUSTER

ADDITIONAL TUNING OPTIONS

VOLUME SPACERS

Changing volume spacers in the shock is an internal adjustment that allows you to change the amount of mid stroke and bottom out resistance. If you have set your sag correctly and are using full travel (bottoming out) too easily, then you could install a larger spacer to increase bottom out resistance. If you have set your sag correctly and are not using full travel, then you could install a smaller spacer to decrease bottom out resistance.

Installation procedure and tuning options are available online at: marzocchi.com.

SERVICE

Properly cleaning your Marzocchi product between rides, in addition to maintenance service scheduled at regular intervals, will help to reduce repair costs and extend product life.

For further service procedures information, visit www.Marzocchi.com, or contact Marzocchi US for complete maintenance service (1.800.369.7469).

Minimum Recommended Service Items	Before every ride	After every ride	Regularly	Every 125 hours or yearly, whichever comes first*
Inspect the entire exterior of your shock. The shock should not be used if any of the exterior parts appear to be damaged. Contact your local dealer or Marzocchi for repair.	X			
Clean exterior with mild soap and water only, then wipe dry with a soft towel. Do not use a high-pressure washer or spray water directly at the seal/shock body junction.		X		
Check sag and damper settings. Inspect the controls for visual damage and function.			X	
Full service (full internal/external inspection, damper rebuild).				X

*For those who ride lift-accessed DH, Park, or Extreme Freeride or in extremely wet/muddy or dry/dusty environmental conditions where trail debris is sprayed onto the shock while on the trail, Marzocchi encourages riders to perform maintenance earlier than recommended above as needed. If you hear, see, or feel something unusual, stop riding immediately and contact a Marzocchi Authorized Service Center for proper servicing.

SEE ADDITIONAL INFORMATION AND VIDEOS:

www.Marzocchi.com

Marzocchi makes the following LIMITED WARRANTY with respect to its suspension products:

MARZOCCHI LIMITED WARRANTY

LIMITED ONE (1) YEAR WARRANTY ON SUSPENSION PRODUCTS

Subject to the limitations, terms and conditions hereof, Marzocchi warrants, to the original retail owner (consumer) of each new Marzocchi suspension product, that the Marzocchi suspension product, when new, is free from defects in materials and workmanship. This limited warranty expires one (1) year from the date of the original Marzocchi suspension product retail purchase from an authorized Marzocchi dealer or from a Marzocchi authorized Original Equipment Manufacturer where Marzocchi suspension is included as original equipment on a purchased vehicle.

TERMS OF WARRANTY

This limited warranty is conditioned on the Marzocchi suspension product being operated under normal conditions and properly maintained as specified by Marzocchi. This limited warranty is only applicable to Marzocchi suspension purchased new from an authorized Marzocchi source and is made only to the original retail owner (consumer) of the new Marzocchi suspension product and is not transferable to subsequent owners.

Should it be determined, by Marzocchi in its sole and final discretion, that a Marzocchi suspension product is covered by this limited warranty, it will be repaired or replaced, by a comparable model, at Marzocchi's sole option, which will be conclusive and binding. THIS IS THE EXCLUSIVE REMEDY UNDER THIS LIMITED WARRANTY. ANY AND ALL OTHER REMEDIES AND DAMAGES THAT MAY OTHERWISE BE APPLICABLE UNDER THIS LIMITED WARRANTY ARE EXCLUDED, INCLUDING, BUT NOT LIMITED TO, INCIDENTAL OR CONSEQUENTIAL DAMAGES OR PUNITIVE DAMAGES.

This limited warranty does not apply to normal wear and tear, malfunctions or failures that result from abuse, neglect, improper assembly, alteration or modification, improper or unauthorized repair or maintenance, crash, accident or collision, or other abnormal, excessive or improper use.

This limited warranty gives the consumer specific legal rights. The consumer may also have other legal rights under the applicable national laws which are not affected by this limited warranty. If it is determined by a court of competent jurisdiction that a certain provision of this limited warranty does not apply, such determination shall not affect any other provision of this limited warranty and all other provisions shall remain in effect.

THIS IS THE ONLY WARRANTY MADE BY MARZOCCHI ON ITS SUSPENSION PRODUCTS AND COMPONENTS, AND THERE ARE NO WARRANTIES WHICH EXTEND BEYOND THE DESCRIPTION HEREIN. ANY WARRANTIES THAT MAY OTHERWISE BE IMPLIED BY LAW INCLUDING, BUT NOT LIMITED TO, ANY IMPLIED WARRANTY OF MERCHANTABILITY OR FITNESS FOR A PARTICULAR PURPOSE ARE EXCLUDED.

This limited warranty shall be governed exclusively by the laws of the State of California.

For questions regarding this warranty or Marzocchi products please contact the US Customer Service Department at Marzocchi by calling 1-800-369-7469, or visiting www.Marzocchi.com.

When making a claim under this Limited Warranty you will be required to provide to an authorized Marzocchi Service Center:

1. The Product (or the affected part) and
2. A copy of the original proof of purchase, which clearly indicates the name and address of the seller, the date and place of purchase, the product part number and if utilized, a serial number. If Marzocchi products are sold as part of a complete bicycle, the bicycle brand, model, model year, and serial number should be included.

Marzocchi is a FOX Factory, Inc owned brand.

FÉLICITATIONS !

Nous vous remercions d'avoir choisi une suspension Marzocchi pour votre vélo. Les suspensions Marzocchi sont conçues et testées par les professionnels les plus compétents dans ces domaines, dans le comté de Santa Cruz en Californie (USA).

Suivez les conseils et les instructions fournis dans ce manuel technique afin d'apprendre à régler, utiliser et entretenir correctement votre nouveau composant Marzocchi.

Davantage d'informations et de vidéos sont disponibles sur le site www.Marzocchi.com. Vous pouvez aussi appeler Marzocchi US au 1.800.369.7469 ou contactez un centre d'entretien international agréé Marzocchi sur www.Marzocchi.com. Si vous ne disposez pas d'un accès à Internet, contactez Marzocchi pour demander une copie papier gratuite du manuel électronique Marzocchi correspondant à votre produit.

AVERTISSEMENT ET CONSIGNES DE SÉCURITÉ

Les produits Marzocchi doivent être installés par un mécanicien vélo professionnel, conformément aux instructions d'installation de Marzocchi. Une fourche installée de manière inappropriée peut être défaillante, ce qui peut entraîner une perte de contrôle du vélo, pouvant mener à des BLESSURES GRAVES VOIRE MORTELLES.

Toute modification ou altération des produits Marzocchi peut mener à leur défaillance et entraîner des BLESSURES GRAVES VOIRE MORTELLES. Ne jamais apporter LA MOINDRE modification ou altération à un produit Marzocchi.

Les produits de suspension pour vélo Marzocchi peuvent également être utilisés sur des cycles équipés de l'assistance motorisée au pédalage ou sur des véhicules motorisés développant une puissance inférieure à 250 watts. N'UTILISEZ JAMAIS de produits de suspension pour vélo Marzocchi sur des véhicules qui développent une puissance supérieure ou égale à 250 watts.

N'UTILISEZ JAMAIS de produits de suspension pour vélo Marzocchi sur des cycles équipés d'une assistance électrique au pédalage ou sur des véhicules motorisés qui développent une puissance supérieure à 500 watts. N'UTILISEZ JAMAIS de produits de suspension pour vélo Marzocchi sur des véhicules motorisés équipés d'un accélérateur.

Le fait d'utiliser les produits de suspension Marzocchi de manière inappropriée peut entraîner une défaillance de la suspension, des dommages matériels ainsi que des BLESSURES GRAVES, VOIRE MORTELLES. Une telle utilisation inappropriée révoque également la garantie.

N'utilisez JAMAIS les éléments de suspension pour vélo Marzocchi sur un véhicule permettant de transporter plus d'une personne, comme par exemple des tandems ou des vélos utilitaires.

Un entretien inapproprié ou l'utilisation de pièces détachées d'autres marques pour les suspensions Marzocchi peut provoquer un dysfonctionnement du composant, vous exposant à des BLESSURES GRAVES VOIRE MORTELLES.

Ne nettoyez jamais votre produit Marzocchi à l'aide d'un nettoyeur haute-pression.

Pour mettre en place et régler correctement le système de freinage, suivez les instructions d'installation du

fabricant de vos freins. Une installation et des réglages inappropriés des freins peuvent entraîner une perte de contrôle du vélo ainsi que des BLESSURES GRAVES VOIRE MORTELLES.

La suspension peut être endommagée sous certaines conditions entraînant la casse et/ou la déformation de certaines pièces de la suspension. Toute circonstance entraînant une fuite d'air et/ou d'huile, comme un choc ou de longues périodes d'inutilisation, peut également entraîner une défaillance de votre amortisseur. Une suspension endommagée et/ou qui fuirait peut être défaillante et entraîner une chute ainsi que des BLESSURES GRAVES VOIRE MORTELLES. Si vous pensez que votre amortisseur a été endommagé, cessez immédiatement d'utiliser votre vélo et contactez Marzocchi pour le faire vérifier et réparer.

N'essayez jamais de démonter, d'ouvrir, de désassembler ou de réparer un amortisseur Marzocchi bloqué en position « comprimée ». Un blocage en position « comprimée » est le résultat d'une défaillance du joint d'étanchéité dynamique (situé entre les chambres pneumatiques positive et négative à l'intérieur du manchon pneumatique de l'amortisseur), ce qui implique que la pression de la chambre négative est plus élevée que celle de la chambre positive. Pour savoir si l'amortisseur est effectivement bloqué en position « comprimée » :

retirez le capuchon pneumatique puis appuyez sur la valve Schrader pour évacuer complètement la pression pneumatique contenue dans la chambre positive de l'amortisseur.

Si le corps de l'amortisseur se rétracte à l'intérieur du manchon pneumatique presque en position de talonnage une fois que la chambre pneumatique positive n'est plus sous pression, fixez une pompe haute pression Marzocchi et mettez l'amortisseur à une pression de 17 bar.

Si l'amortisseur ne se détend pas complètement, cela signifie qu'il est bloqué en position « comprimée ».

Toute tentative de réparation d'un amortisseur pneumatique Marzocchi bloqué en position « comprimée » peut entraîner des BLESSURES GRAVES VOIRE MORTELLES. Pour toute réparation, contactez Marzocchi ou un centre de service après-vente agréé.

INSTALLATION DE L'AMORTISSEUR ARRIÈRE

⚠ AVERTISSEMENT

Les types d'installation et de configuration pour les amortisseurs arrière varient énormément d'un fabricant de vélo à un autre. Consultez impérativement le manuel technique de votre vélo. Les produits Marzocchi doivent être installés par un mécanicien vélo professionnel, conformément aux instructions d'installation de Marzocchi. Un amortisseur installé de manière inappropriée peut être défaillant, ce qui peut provoquer une perte de contrôle du vélo, pouvant mener à des BLESSURES GRAVES VOIRE MORTELLES.

Si vous installez un amortisseur autre que celui prévu à l'origine sur votre vélo, suivez les étapes indiquées ci-dessous pour vous assurer de l'espace libre entre les composants avant toute sortie.

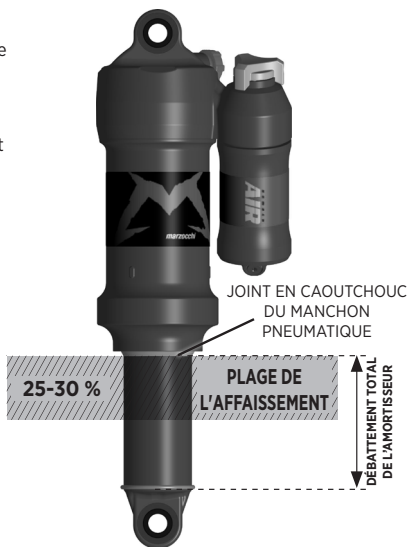
AMORTISSEURS PNEUMATIQUES

1. Installez l'amortisseur sur votre cadre conformément aux instructions du fabricant de votre cadre.
2. Retirez le capuchon pneumatique, fixez une pompe pour amortisseur, puis évacuez LENTEMENT tout l'air de la chambre pneumatique principale.
3. Comprimez lentement la suspension sur son débattement maximal.
4. Vérifiez que l'amortisseur NE touche PAS le cadre ou une attache sur toute la plage de son débattement.
5. Réglez l'affaissement en respectant les instructions ci-dessous.

RÉGLAGE DE L'AFFAISSEMENT

Afin de profiter des meilleures performances de votre suspension Marzocchi, réglez la pression pneumatique pour atteindre le réglage de l'affaissement approprié. L'affaissement est le pourcentage de compression de la suspension sous le poids du cycliste et de son équipement. La plage de l'affaissement doit être réglée entre 25 et 30 % du débattement total de l'amortisseur.

1. Tournez la molette de l'amortisseur de compression à fond dans le sens inverse des aiguilles d'une montre en position Ouverte (déverrouillé).
2. Commencez par régler la pression pneumatique de l'amortisseur (bar) en correspondance avec votre poids en kilogrammes. Tout en laissant la pompe fixée à la valve de l'amortisseur, actionnez lentement l'amortisseur sur 25 % de son débattement à 10 reprises jusqu'à atteindre la pression souhaitée. Ceci va équilibrer les chambres pneumatiques positive et négative et modifiera la pression indiquée sur la jauge de la pompe.
3. Ne dépassez pas la pression pneumatique maximale : Les amortisseurs pneumatiques BOMBER AIR tolèrent une pression pneumatique maximale de 24,1 bar.
4. Retirez la pompe.
5. Asseyez-vous sur la selle en position normale de pédalage en vous appuyant contre un mur ou un arbre.
6. Faites coulisser le joint torique indicateur de l'affaissement jusqu'à ce qu'il touche le joint en caoutchouc du manchon pneumatique.
7. Descendez délicatement du vélo sans faire bouger les suspensions.
8. Mesurez la distance qui sépare le joint torique indicateur de l'affaissement et le joint en caoutchouc du manchon pneumatique. Comparez cette mesure avec celles indiquées dans le tableau « Mesures de l'affaissement recommandées ».
9. Ajoutez ou évacuez de la pression pneumatique jusqu'à atteindre la mesure de l'affaissement désirée.



Mesures de l'affaissement conseillées		
Débattement	Affaissement de 25 % (ferme)	Affaissement de 30 % (souple)
45 mm (1,7 po)	11,25 mm (0,44 po)	13,5 mm (0,53 po)
55 mm (2,16 po)	13,75 mm (0,54 po)	16,5 mm (0,65 po)
65 mm (2,56 po)	16,25 mm (0,64 po)	19,5 mm (0,77 po)
75 mm (2,95 po)	18,75 mm (0,74 po)	22,5 mm (0,88 po)



Ne dépassez pas la pression pneumatique maximale :

la pression d'air maximale de la BOMBER AIR ne devrait pas dépasser **12,3 bar**.

MANCHON D'AIR

AUGMENTATION DE LA PRESSION PNEUMATIQUE

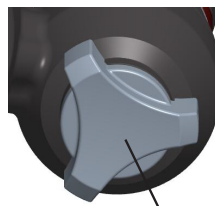
Équilibrez les chambres pneumatiques positive et négative en comprimant lentement l'amortisseur sur 25 % de son débattement à 10 ou 20 reprises à chaque fois que vous ajoutez 3,4 bar. Le fait de ne pas équilibrer les chambres pneumatiques peut entraîner une pression plus élevée dans la chambre pneumatique positive que dans la chambre négative. Si l'amortisseur vous semble très dur ou qu'il est en position de talonnage, compressez l'amortisseur jusqu'à entendre ou sentir l'air passer d'une chambre à l'autre. Maintenez l'amortisseur en position comprimée pendant quelques secondes.

RELÂCHE DE LA PRESSION PNEUMATIQUE

Évacuez l'air lentement de manière à ce que l'air provenant de la chambre négative puisse aussi passer par la valve Schrader. Le fait d'évacuer l'air trop rapidement peut entraîner une pression plus élevée dans la chambre négative que dans la chambre positive. Si l'amortisseur est comprimé sur son débattement disponible et qu'il ne revient pas en position de détente maximale, ajoutez de la pression pneumatique jusqu'à ce que l'amortisseur se détende, puis compressez lentement l'amortisseur sur 25 % de son débattement à 10 ou 20 reprises.

RÉGLAGE DE LA COMPRESSION

La molette de compression basse vitesse permet de modifier l'amortissement en compression basse vitesse. Tournez la molette dans le sens des aiguilles d'une montre pour augmenter l'amortissement de la compression ou dans le sens inverse des aiguilles d'une montre pour le diminuer. Pour commencer, tournez la molette de l'amortisseur de compression à fond dans le sens inverse des aiguilles d'une montre en position OUVERTE (déverrouillé).

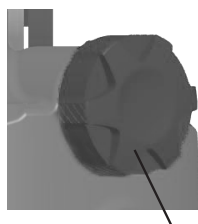


RÉGLEUR DE COMPRESSION
BASSE VITESSE

RÉGLAGE DU REBOND

Le réglage de la détente dépend du réglage de la pression pneumatique. Par exemple, une pression pneumatique plus élevée entraîne un réglage de la détente plus lent. Utilisez la valeur de votre pression pneumatique pour définir le réglage de la détente. Tournez la molette de réglage de la détente en position fermée (dans le sens des aiguilles d'une montre) jusqu'à ce qu'elle se bloque. Puis tournez dans le sens inverse des aiguilles d'une montre en comptant le nombre de clics indiqué dans le tableau ci-dessous.

Rebond	
Pression pneumatique (bar)	Commencer le réglage du rebond
<6,9	10
6,9-8,3	10
8,3-9,6	9
9,6-11,0	8
11,0-12,4	7
12,4-13,8	6
13,8-15,2	5
15,2-16,5	4
16,5-17,9	3
17,9-19,3	2
19,3-20,7	1



RÉGLAGE DU REBOND

OPTIONS DE RÉGLAGE SUPPLÉMENTAIRES

ENTRETOISES DE VOLUME

Changer les entretoises de volume dans l'amortisseur est une manipulation interne facile à réaliser qui vous permet de modifier le niveau de résistance aux chocs moyens et au talonnage. Si vous avez réglé l'affaissement correctement mais que vous utilisez trop facilement tout le débattement disponible (talonnage), alors vous pouvez installer une plus grosse entretoise pour augmenter la résistance au talonnage. Si vous avez réglé l'affaissement correctement mais que vous n'utilisez pas tout le débattement disponible, alors vous pouvez installer une plus petite entretoise pour réduire la résistance au talonnage.

Vous pouvez consulter les instructions de montage et les options de réglage sur le site Internet : marzocchi.com.

ENTRETIEN

Nettoyer convenablement votre composant Marzocchi entre chaque sortie et procéder aux entretiens de manière régulière vous aidera à réduire les coûts de réparation et à allonger la durée de vie du produit.

Pour plus d'informations sur les procédures d'entretien, consultez le site www.Marzocchi.com ou contactez Marzocchi US pour un service complet d'entretien (**1.800.369.7469**).

Éléments d'entretien minimal recommandés	Avant chaque sortie	Après chaque sortie	Régulièrement	Toutes les 125 heures ou une fois par an, au premier des termes échu*
Vérifiez l'extérieur de la suspension. N'utilisez pas l'amortisseur si une pièce extérieure est endommagée. Pour la faire réparer, contactez Marzocchi ou votre revendeur habituel.	X			
Nettoyez l'extérieur de la fourche avec du savon doux et de l'eau puis essuyez avec un chiffon doux. N'utilisez jamais de nettoyeur haute pression et ne vaporisez jamais d'eau directement sur la jonction joint/corps de l'amortisseur.		X		
Vérifiez les réglages de l'affaissement et de l'amortissement. Vérifiez que les commandes ne présentent pas de dommages apparents et qu'elles fonctionnent bien.			X	
Entretien complet (contrôles interne/externe complets, remontage de la cartouche d'amortissement).				X

*Pour les cyclistes qui pratiquent des descentes accessibles par remontées mécaniques, dans des parks ou le freeride extrême ou qui roulent sur des terrains extrêmement humides et boueux ou secs et poussiéreux où des débris peuvent souiller l'amortisseur, Marzocchi les invite à réaliser les entretiens de manière plus fréquente que ce qui est recommandé ci-dessus, en fonction des besoins. Si vous entendez, voyez ou sentez quelque chose d'anormal, cessez immédiatement d'utiliser votre vélo et contactez un centre d'entretien agréé Marzocchi pour faire réaliser un entretien approprié.

CONSULTEZ DES VIDÉOS ET DES INFORMATIONS SUPPLÉMENTAIRES SUR :

www.Marzocchi.com

Pour ses produits de suspension, Marzocchi offre la GARANTIE LIMITÉE suivante :

GARANTIE LIMITÉE MARZOCCHI

GARANTIE LIMITÉE DE UN (1) AN POUR LES ÉLÉMENTS DE SUSPENSION

Dans le respect des limites et conditions générales de vente notées ci-dessous, Marzocchi garantit à l'acheteur d'origine dans le commerce de détail (client) d'un élément de suspension Marzocchi neuf que cet élément de suspension Marzocchi, quand il est neuf, est exempt de défauts de matériau ou de vices de fabrication. Cette garantie arrive à expiration un (1) an après la date originelle d'achat dans le commerce de détail de l'élément de suspension Marzocchi original auprès d'un revendeur Marzocchi agréé, ou d'un fabricant d'équipement agréé par Marzocchi quand la suspension Marzocchi est incluse en tant qu'équipement d'origine avec un véhicule acheté.

CONDITIONS DE LA GARANTIE

Cette garantie n'est valide que si l'élément de suspension Marzocchi est utilisé dans des conditions normales et est entretenu conformément aux recommandations de Marzocchi. Cette garantie est uniquement applicable aux suspensions Marzocchi achetées neuves auprès d'une source autorisée Marzocchi et est offerte uniquement au propriétaire d'origine de l'élément de suspension Marzocchi neuf acheté dans le commerce de détail (client). Elle n'est pas transférable à des acheteurs ultérieurs.

S'il est déterminé par Marzocchi, à son seul gré et sur sa décision définitive, qu'un composant de suspension Marzocchi est couvert par cette garantie limitée, il sera réparé ou remplacé par un modèle comparable, choisi unilatéralement par Marzocchi, dont la décision sera péremptoire et exécutoire. CECI FORME LE RECOURS EXCLUSIF EN VERTU DE CETTE GARANTIE LIMITÉE. TOUT AUTRE RECOURS OU DOMMAGE QUI POURRAIT ÊTRE APPLICABLE AUTREMENT DANS LE CADRE DE CETTE GARANTIE LIMITÉE EST EXCLU, Y COMPRIS, SANS Y ÊTRE LIMITÉ, LES DOMMAGES ACCESSOIRES OU INDIRECTS, OU LES DOMMAGES ET INTÉRÊTS EXEMPLAIRES.

Cette garantie limitée ne s'applique pas à l'usure normale, aux malformations ou aux défaillances consécutives à un usage inapproprié, un manque d'entretien, un montage incorrect, des modifications ou des altérations, des réparations ou des entretiens inappropriés ou interdits, des collisions, des accidents, des chutes ou toute autre utilisation anormale, excessive ou inappropriée.

La présente garantie limitée confère au client des droits juridiques spécifiques. Le client peut aussi bénéficier d'autres droits juridiques du fait de l'application de lois nationales qui ne sont pas concernées par cette garantie limitée. Si un tribunal compétent détermine qu'une disposition spécifique de cette garantie limitée ne s'applique pas, cette détermination ne portera pas effet sur les autres dispositions de cette garantie limitée et toutes les autres dispositions restent effectives.

CETTE GARANTIE EST LA SEULE GARANTIE OFFERTE PAR MARZOCCHI POUR SES ÉLÉMENTS DE SUSPENSION ET LEURS COMPOSANTS, ET IL N'Y A AUCUNE AUTRE GARANTIE EN DEHORS DE CELLE DÉCRITE DANS CE DOCUMENT. TOUTE AUTRE GARANTIE QUI POURRAIT ÊTRE IMPLICITE SELON LA LÉGISLATION EN COURS, Y COMPRIS, SANS Y ÊTRE LIMITÉE, TOUTE GARANTIE IMPLICITE DE QUALITÉ MARCHANDE OU D'APTITUDE À UN USAGE SPÉCIFIQUE, EST EXCLUE.

Cette garantie limitée doit être soumise uniquement aux lois de l'État de Californie.

Pour toute question sur cette garantie ou sur les produits Marzocchi, veuillez contacter le service clientèle Marzocchi aux États-Unis par téléphone au 1-800-369-7469 ou sur le site Internet à l'adresse www.Marzocchi.com.

Quand vous déposez une demande de garantie dans le cadre de cette Garantie limitée, vous devrez fournir les éléments suivants au centre d'entretien agréé Marzocchi :

1. Le Produit (ou la pièce concernée) et
2. Une copie de la preuve d'achat originale indiquant clairement le nom et l'adresse du vendeur, la date et le lieu d'achat, le numéro de référence du produit et, le cas échéant, un numéro de série. Si les produits Marzocchi ont été vendus en tant qu'équipements d'un vélo complet, la marque, le modèle, l'année modèle et le numéro de série du vélo doivent être indiqués.

CONGRATULAZIONI!

Grazie per aver scelto un prodotto di sospensione Marzocchi per la vostra bicicletta. Tutti i prodotti di sospensione MARZOCCHI sono progettati e testati dai migliori professionisti del settore nella contea di Santa Cruz, California, USA.

Per impostare, utilizzare e mantenere correttamente il nuovo prodotto MARZOCCHI è possibile seguire le direttive e le istruzioni fornite in questa Guida per l'utente.

Per informazioni aggiuntive e video, consultare l'indirizzo www.marzocchi.com, chiamare Marzocchi US al numero 1.800.369.7469, oppure contattare un centro assistenza internazionale autorizzato Marzocchi al link www.marzocchi.com. Se non è disponibile una connessione internet, contattare Marzocchi per ordinare online una copia cartacea gratuita del Manuale dell'utilizzatore Marzocchi relativo al prodotto.

AVVERTENZE DI PERICOLO E INFORMAZIONI SULLA SICUREZZA

I prodotti MARZOCCHI devono essere installati da un tecnico di assistenza biciclette professionista, in conformità con le specifiche di installazione MARZOCCHI. Le forcelle installate in modo errato possono guastarsi, causando la perdita del controllo da parte del ciclista con possibili conseguenti LESIONI GRAVI O MORTALI.

La modifica o l'alterazione di un prodotto MARZOCCHI può causare il guasto del prodotto con conseguenti LESIONI GRAVI O MORTALI. Non modificare o alterare NESSUNA parte di un prodotto Marzocchi.

Le sospensioni per biciclette Marzocchi possono essere utilizzate anche su biciclette a pedalata assistita o veicoli a motore che erogano meno di 250 watt di potenza. NON utilizzare i prodotti di sospensione Marzocchi su veicoli che erogano 250 watt di potenza o più.

NON utilizzare i prodotti di sospensione Marzocchi per biciclette o motocicli a pedalata assistita o veicoli motorizzati che erogano più di 500 watt di potenza. NON utilizzare i prodotti di sospensione per biciclette Marzocchi su alcun veicolo motorizzato dotato di acceleratore.

Oltre a invalidare la garanzia, l'uso improprio dei prodotti di sospensione MARZOCCHI può causare il guasto della sospensione, con conseguenti danni alle cose o LESIONI GRAVI O MORTALI.

NON utilizzare i prodotti di sospensione per biciclette di MARZOCCHI su veicoli che trasportano più di un operatore o ciclista, come ad esempio biciclette tandem o biciclette utility.

La manutenzione non corretta o l'uso di parti di ricambio non originali per le forcelle e gli ammortizzatori MARZOCCHI possono causare il malfunzionamento del prodotto, con conseguenti LESIONI GRAVI O MORTALI.

Non usare mai acqua a pressione per la pulizia di un prodotto MARZOCCHI.

Seguire le istruzioni del produttore dei freni per una corretta installazione e regolazione dell'impianto frenante. L'installazione o la regolazione non corretta dei freni può causare una perdita di controllo della bicicletta con conseguenti LESIONI GRAVI O MORTALI.

La forcella o l'ammortizzatore potrebbero cedere se sottoposti a condizioni che causano la flessione e/o la rottura di una parte dell'ammortizzatore. Anche le condizioni che provocano perdite di aria e/o olio, ad esempio una collisione o periodi prolungati di inutilizzo, possono causare il cedimento dell'ammortizzatore. Un ammortizzatore danneggiato e/o soggetto a perdite può cedere provocando incidenti con conseguenti LESIONI GRAVI O MORTALI. Se si sospetta che l'ammortizzatore sia danneggiato, interrompere immediatamente la guida e contattare MARZOCCHI per l'ispezione e la riparazione.

Non tentare mai di smontare, aprire, scomporre o riparare un ammortizzatore Marzocchi che si trovi in una condizione "di blocco". Una condizione di blocco viene provocata da un malfunzionamento della guarnizione dinamica interna (posizionata tra le camere d'aria negativa e positiva all'interno del manicotto dell'ammortizzatore), facendo sì che la camera d'aria negativa trattenga un maggior livello di alta pressione dell'aria rispetto alla camera d'aria positiva. Per verificare se l'ammortizzatore è effettivamente in condizione di blocco:

Rimuovere il coperchio e rilasciare la valvola Schrader per rilasciare completamente la pressione dell'aria dalla camera d'aria positiva dell'ammortizzatore.

Se il corpo dell'ammortizzatore si ritrae nel manicotto dell'aria vicino al fine corsa dopo che l'aria è stata rilasciata dalla camera positiva, collegare una pompa ad alta pressione e pressurizzare l'ammortizzatore a 250 psi (17 bar).

Se l'ammortizzatore non si estende completamente, significa che è in condizione di blocco.

Qualsiasi tentativo di riparare gli ammortizzatori pneumatici Marzocchi nella in condizione di blocco può comportare LESIONI GRAVI O MORTALI. Contattare Marzocchi o un Centro Assistenza Autorizzato per la riparazione.

INSTALLAZIONE DELL'AMMORTIZZATORE POSTERIORE

⚠ AVVERTENZA DI PERICOLO

L'impostazione e la configurazione dell'ammortizzatore posteriore variano fortemente a seconda dei diversi produttori di biciclette. Fare riferimento al Manuale dell'utilizzatore della propria bicicletta. I prodotti MARZOCCHI devono essere installati da un tecnico di assistenza biciclette qualificato, in conformità con le specifiche di installazione MARZOCCHI. Ammortizzatori posteriori installati in modo improprio possono cedere, causando la perdita di controllo della bicicletta, con conseguenti LESIONI GRAVI O MORTALI.

Per installare un ammortizzatore su una bicicletta non equipaggiata di serie con tale elemento, attenersi alla procedura riportata di seguito, accertandosi prima di guidare la bicicletta che la distanza sia adeguata.

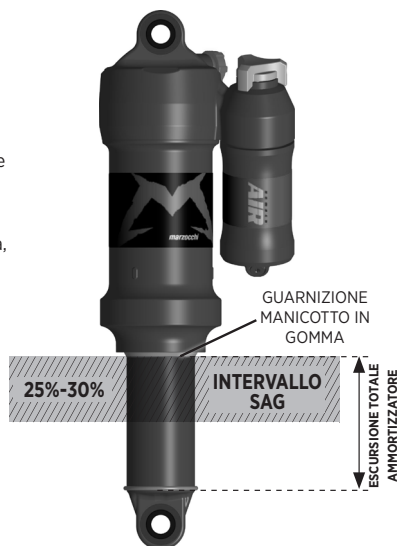
AMMORTIZZATORI PNEUMATICI

1. Installare l'ammortizzatore sul telaio secondo le istruzioni del produttore del telaio.
2. Rimuovere il tappo dell'aria, collegare una pompa da ammortizzatori e far uscire LENTAMENTE tutta l'aria dalla camera principale.
3. Comprimer lentamente le sospensioni compiendo un'escursione intera.
4. Verificare che NESSUNA parte dell'ammortizzatore, nell'arco di tutta la sua escursione entri in contatto con il telaio o con i collegamenti.
5. Impostare il sag (abbassamento) secondo le seguenti istruzioni.

IMPOSTAZIONE DEL SAG

Per ottenere le migliori prestazioni dalla sospensione MARZOCCHI, regolare la pressione dell'aria per raggiungere l'impostazione del sag corretta. Il sag è la compressione delle sospensioni dovuta al peso del ciclista e all'attrezzatura. L'intervallo di sag dovrebbe essere impostato al 25-30% dell'escursione totale dell'ammortizzatore.

1. Ruotare il regolatore di compressione completamente in senso antiorario sulla modalità Open.
2. Iniziare impostando la pressione dell'aria dell'ammortizzatore (psi) in modo che corrisponda al proprio peso in libbre (pound). Con la pompa collegata alla valvola dell'ammortizzatore, far muovere lentamente l'ammortizzatore fino al 25% della sua escursione per 10 volte fino a raggiungere la pressione desiderata. Ciò permette di equilibrare le camere d'aria positive e negative e modifica la pressione letta sul manometro della pompa.
3. Non superare la pressione dell'aria massima: Gli ammortizzatori BOMBER AIR presentano una pressione dell'aria massima di 350 psi.
4. Rimuovere la pompa.
5. Sedersi sulla bicicletta nella normale posizione di guida, utilizzando un muro o un albero come supporto.
6. Far scorrere l'o-ring che indica il sag contro la guarnizione del manicotto in gomma.
7. Smontare con attenzione la bici senza rimbalzare.
8. Misurare la distanza tra l'o-ring che indica il sag e la guarnizione del manicotto in gomma. Confrontare le misure rispetto alla tabella "Misure del sag suggerite".
9. Ridurre o aumentare la pressione dell'aria fino a raggiungere la misura del sag desiderata.



Misure del sag suggerite		
Escursione	Sag 25% (rigido)	Sag 30% (morbido)
45 mm (1,7")	11,25 mm (0,44")	13,5 mm (0,53")
55 mm (2,16")	13,75 mm (0,54")	16,5 mm (0,65")
65 mm (2,56")	16,25 mm (0,64")	19,5 mm (0,77")
75 mm (2,95")	18,75 mm (0,74")	22,5 mm (0,88")



Non superare la pressione dell'aria massima.

La pressione dell'aria massima della versione BOMBER AIR è **350 psi**.

MANICOTTO

AUMENTO DELLA PRESSIONE DELL'ARIA

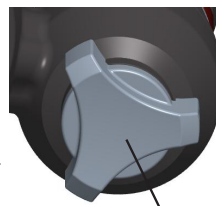
Equilibrare le camere d'aria positiva e negativa lentamente aumentando la pressione a intervalli di 50 psi e comprimendo l'ammortizzatore al 25% della corsa per 10-20 volte. Se le camere non fossero equilibrate, la pressione nella camera d'aria positiva potrebbe essere maggiore rispetto alla pressione nella camera negativa. Se l'ammortizzatore fosse molto rigido e si trovasse in estensione massima, comprimere l'ammortizzatore fino a sentire o percepire il trasferimento dell'aria. Tenere l'ammortizzatore in questa posizione compressa per alcuni secondi.

RILASCIO DELLA PRESSIONE DELL'ARIA

Rilasciare l'aria lentamente in modo che anche l'aria dalla camera negativa possa essere rilasciata attraverso la valvola Schrader. Il rilascio della pressione dell'aria troppo rapido può causare una pressione maggiore nella camera negativa rispetto alla camera positiva. Se l'ammortizzatore una volta compresso lungo la sua escursione e non si estendesse completamente, aumentare la pressione dell'aria fino all'estensione, quindi comprimere lentamente l'ammortizzatore fino al 25% della sua escursione 10-20 volte.

REGOLAZIONE DELLA COMPRESSIONE

La manopola di compressione a bassa velocità consente di modificare l'attenuazione della compressione a bassa velocità. Ruotare la manopola in senso orario per aumentare l'attenuazione della compressione e in senso antiorario per diminuire l'attenuazione della compressione. Iniziare impostando il regolatore di compressione su OPEN, cioè completamente in senso antiorario.

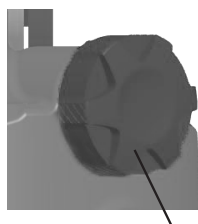


REGOLATORE DELLA
COMPRESSIONE A BASSA
VELOCITÀ

REGOLAZIONE DEL RITORNO

La regolazione del ritorno dipende dall'impostazione della pressione dell'aria. Ad esempio, pressioni dell'aria più elevate comportano impostazioni di ritorno più lente. Utilizzare la pressione dell'aria personale per trovare l'impostazione del ritorno. Ruotare la manopola del ritorno alla posizione di chiusura in senso orario fino all'arresto. Quindi ruotarla in senso antiorario per il numero di clic riportati nella tabella seguente.

Ritorno	
Pressione dell'aria (bar)	Impostazione del ritorno iniziale
<100	10
100-120	10
120-140	9
140-160	8
160-180	7
180-200	6
200-220	5
220-240	4
240-260	3
260-280	2
280-300	1



REGOLATORE DEL RITORNO

OPZIONI DI MESSA A PUNTO AGGIUNTIVE

REGOLATORI DI VOLUME

La modifica dei regolatori di volume nell'ammortizzatore è una semplice regolazione interna che consente di variare l'entità di resistenza a metà corsa e a fine corsa. Se è stato impostato il sag corretto e si utilizza troppo facilmente l'escursione completa (fine corsa), è possibile installare un regolatore più grande per aumentare la resistenza di fine corsa. Se è stato impostato il sag corretto e non si riesce a utilizzare l'escursione completa è possibile installare un regolatore più piccolo per ridurre la resistenza di fine corsa.

La procedura di installazione e le opzioni di ottimizzazione sono disponibili online al link: marzocchi.com.

ASSISTENZA

Una pulizia adeguata del prodotto MARZOCCHI tra un utilizzo e l'altro, e un servizio di manutenzione programmato a intervalli regolari, aiutano a ridurre i costi di riparazione e a prolungare la durata del prodotto stesso.

Per ulteriori informazioni sulle procedure di assistenza, visitare www.marzocchi.com, oppure contattare Marzocchi US per un servizio di manutenzione completo (1.800.369.7469).

Attività di assistenza minime consigliate	Prima di ogni sessione di guida	Dopo ogni sessione di guida	Regolarmente	Ogni 125 ore o una volta l'anno, in base a quale evento si verifica prima*
Ispezionare completamente la parte esterna dell'ammortizzatore. L'ammortizzatore non deve essere usato se una sua qualsiasi parte esterna appare danneggiata. Rivolgersi al rivenditore locale o a Marzocchi per riparazioni.	X			
Pulire la parte esterna solo con acqua e sapone delicato. Asciugare con un panno morbido asciutto. Non utilizzare idropulitrici né spruzzare acqua direttamente sui punti di giunzione tra guarnizione e corpo dell'ammortizzatore.		X		
Controllare le impostazioni del sag e dello smorzamento. Ispezionare i comandi per rilevare l'eventuale presenza di danni e verificarne il funzionamento.			X	
Assistenza completa (ispezione completa interna/esterna, ricondizionamento smorzatore).				X

*Se si effettuano sessioni di downhill, park o freeride estremo, oppure se si guida in condizioni estremo di bagnato/fango o secco/polvere in cui i detriti del trail vengono proiettati sull'ammortizzatore, MARZOCCHI consiglia di effettuare la manutenzione con frequenza superiore a quella indicata, in base alle necessità. Se si avvertono o percepiscono comportamenti inusuali, interrompere immediatamente la guida e contattare un centro assistenza MARZOCCHI autorizzato per i controlli e le riparazioni necessarie.

CONSULTARE ULTERIORI INFORMAZIONI E VIDEO:

www.marzocchi.com

Per i propri prodotti di sospensione, Marzocchi offre la seguente GARANZIA LIMITATA:

GARANZIA LIMITATA MARZOCCHI

GARANZIA LIMITATA DI UN (1) ANNO SUI PRODOTTI DI SOSPENSIONE

Nel rispetto delle limitazioni, dei termini e delle condizioni del presente documento, MARZOCCHI garantisce all'acquirente originale (consumatore) di ogni nuovo prodotto di sospensione MARZOCCHI che il prodotto stesso, in condizioni nuove, è privo di difetti dovuti a materiali e lavorazioni. Questa garanzia scade dopo un (1) anno dalla data di acquisto del prodotto di sospensione Marzocchi originale da un punto vendita MARZOCCHI autorizzato o da un produttore autorizzato che utilizza la sospensione MARZOCCHI come equipaggiamento originale del mezzo acquistato.

TERMINI DI GARANZIA

Questa garanzia limitata è valida a condizione che il prodotto di sospensione Marzocchi venga utilizzato in condizioni normali e mantenuto correttamente secondo quanto specificato da Marzocchi. Questa garanzia è valida solo per le sospensioni Marzocchi acquistate da una fonte Marzocchi autorizzata e ne ha diritto solo l'acquirente originale del nuovo prodotto (consumatore), pertanto non è trasferibile a eventuali acquirenti successivi a quello originale.

Nel caso in cui venisse determinato da Marzocchi, a propria esclusiva discrezione, che un prodotto di sospensione Marzocchi è coperto da questa garanzia, esso verrà riparato oppure sostituito con un modello paragonabile, scelto a esclusiva discrezione Marzocchi, in modo conclusivo e vincolante. QUESTA RAPPRESENTA L'UNICA ED ESCLUSIVA FORMA RIPARATORIA AI SENSI DI QUESTA GARANZIA LIMITATA. TUTTE LE ALTRE FORME RIPARATORIE E RISARCITORIE CHE POTREBBERO ALTRIMENTI RICADERE IN QUESTA GARANZIA, COMPRESI, A TITOLO ESEMPLIFICATIVO MA NON LIMITATIVO, DANNI ACCIDENTALI O INDIRETTI O DANNI PUNITIVI, SONO ESCLUSE.

Questa garanzia limitata non vale in caso di normale usura, malfunzionamenti o guasti derivanti da abuso, negligenza, montaggio errato, alterazione o modifica, riparazione o manutenzione improprie o non autorizzate, sinistri, incidenti o collisioni o altro uso anomalo, eccessivo o improprio.

La presente garanzia limitata riconosce al consumatore alcuni diritti legali specifici. Il consumatore può anche avere altri diritti legali ai sensi delle vigenti leggi nazionali non compromessi da questa garanzia limitata. Se un tribunale competente per giurisdizione determina che una particolare disposizione della presente garanzia limitata non sia valida, tale determinazione non influenza alcuna altra disposizione della presente garanzia limitata e tutte le altre disposizioni restano in vigore.

QUESTA È L'UNICA GARANZIA FORNITA DA MARZOCCHI PER I PROPRI PRODOTTI E COMPONENTI DI SOSPENSIONE. NON SONO PREVISTE GARANZIE CHE SI ESTENDONO OLTRE ALLA PRESENTE DESCRIZIONE. È ESCLUSA QUALSIASI GARANZIA CHE POSSA ESSERE SOTTINTESA DALLA LEGGE, COMPRESA, A TITOLO ESEMPLIFICATIVO MA NON LIMITATIVO, QUALSIASI GARANZIA IMPLICITA DI COMMERCIALIZZABILITÀ O IDONEITÀ A UNO SCOPO PARTICOLARE.

Questa garanzia limitata è disciplinata dalle leggi dello Stato della California.

Per domande relative a questa garanzia o ai prodotti Marzocchi, contattare il Servizio Clienti US Marzocchi chiamando il numero 1-800-369-7469 o visitare il sito www.marzocchi.com.

Quando si presenta una domanda ai sensi della presente Garanzia limitata, sarà richiesto di fornire ad un centro di assistenza Marzocchi autorizzato:

1. Il prodotto (o la parte interessata) e
2. Una copia della prova d'acquisto originale, che incichi chiaramente il nome e l'indirizzo del venditore, la data e il luogo di acquisto, il codice prodotto e, se utilizzato, un numero di serie. Se i prodotti Marzocchi sono venduti come parte di una bicicletta completa, devono essere indicati la marca, il modello, l'anno del modello e il numero di serie della bicicletta.

HERZLICHEN GLÜCKWUNSCH!

Wir gratulieren zu Ihrer neuen Marzocchi-Federung für Ihr Fahrrad. Alle Marzocchi-Federungsprodukte werden von branchenweit führenden Spezialisten in Santa Cruz County (Kalifornien) in den USA entwickelt und getestet.

Bitte befolgen Sie die Hinweise und Anweisungen in diesem Handbuch, um Ihr neues Marzocchi-Produkt ordnungsgemäß einzustellen, zu verwenden und zu warten.

Weitere Informationen und Videos finden Sie unter www.marzocchi.com. Kontaktieren Sie bei Bedarf Marzocchi US telefonisch unter 1.800.369.7469. Außerhalb der USA können sich auch an eines der zugelassenen internationalen Marzocchi Service-Center wenden, die Sie unter www.marzocchi.com finden. Wenn Sie nicht über einen Internetzugang verfügen, wenden Sie sich an Marzocchi, um kostenlos ein Druckexemplar der Online-Marzocchi-Bedienungsanleitung für Ihr Produkt zu bestellen.



WARNHINWEISE UND SICHERHEITSGEHALTEN

Produkte von Marzocchi müssen von einem professionellen Fahrradmechaniker gemäß den Marzocchi-Einbauanleitungen eingebaut werden. Unsachgemäß eingebaute Gabeln können versagen, sodass der Fahrer die Kontrolle über das Fahrrad verliert, was zu SCHWEREN ODER TÖDLICHEN VERLETZUNGEN führen kann.

Modifizierungen oder Veränderungen von Marzocchi-Produkten können Fehlfunktionen des Produkts verursachen, die zu SCHWEREN ODER TÖDLICHEN VERLETZUNGEN führen können. Sie dürfen KEINE Teile eines Marzocchi-Produkts modifizieren oder verändern.

Marzocchi-Fahrrad-Federungsprodukte dürfen auch an pedalunterstützten motorisierten Fahrrädern oder motorisierten Fahrzeugen, die weniger als 250 Watt Leistung erzeugen, verwendet werden. Verwenden Sie Marzocchi-Fahrrad-Federungsprodukte NICHT an Fahrzeugen, die 250 Watt Leistung oder mehr erzeugen. Verwenden Sie Marzocchi-Fahrrad-Federungsprodukte NICHT an pedalunterstützten motorisierten Fahrrädern oder Motorfahrzeugen, die 500 Watt Leistung oder mehr erzeugen. Verwenden Sie Marzocchi-Fahrrad-Federungsprodukte NICHT an motorisierten Fahrzeugen mit Gaszug.

Die missbräuchliche Verwendung von Marzocchi-Federungsprodukten kann den Ausfall der Federung zur Folge haben, sodass die Gefahr von SCHWEREN ODER TÖDLICHEN VERLETZUNGEN besteht, und führt zum Erlöschen der Garantie.

Verwenden Sie Marzocchi-Fahrrad-Federungsprodukte NICHT an Fahrzeugen, die mehr als eine Person befördern, beispielsweise Tandems oder schwere Lastfahrräder. Unsachgemäße Wartung oder die Verwendung von Fremdbauteilen an Marzocchi-Dämpfern können Fehlfunktionen des Produkts verursachen, die zu SCHWEREN ODER TÖDLICHEN VERLETZUNGEN führen können.

Reinigen Sie Ihr Marzocchi-Produkt nicht mit einem Hochdruckreiniger.

Befolgen Sie zur ordnungsgemäßen Montage und Einstellung des Bremssystems die Herstelleranweisungen.

Wenn Sie Ihre Bremsen nicht ordnungsgemäß einbauen und einstellen, kann es zum Verlust der Kontrolle über das Fahrrad kommen, was zu SCHWEREN ODER TÖDLICHEN VERLETZUNGEN führen kann.

Ihr Dämpfer kann in bestimmten Situationen versagen, wie z. B. wenn Komponenten oder Bauteile des Dämpfers sich verbiegen oder brechen. Situationen, die zu einem Verlust von Luft und/oder Öl führen, z. B. Unfälle oder längerer Nichtgebrauch, können ebenfalls zum Versagen Ihres Dämpfers führen. Beschädigte und/oder leckende Dämpfer können versagen, was zu Unfällen und SCHWEREN ODER TÖDLICHEN VERLETZUNGEN führen kann. Wenn Sie vermuten, dass Ihr Dämpfer beschädigt sein könnte, fahren Sie nicht mehr mit dem Fahrrad und wenden Sie sich zur Überprüfung und Reparatur an Marzocchi.

Versuchen Sie nicht, blockierte Marzocchi-Dämpfer auszubauen, zu öffnen, zu zerlegen oder zu warten. Der Grund für ein Blockieren des Dämpfers ist ein Versagen der dynamischen Luftdichtung (zwischen der Positiv- und der Negativ-Luftkammer in der Dämpfer-Luftkammer), das dazu führt, dass der Druck in der Negativ-Luftkammer höher bleibt als in der Positiv-Luftkammer. So prüfen Sie, ob der Dämpfer blockiert ist: Nehmen Sie die Ventilkappe vom Schrader-Ventil des Dämpfers ab und drücken Sie den Einsatz des Schrader-Ventils nach unten, um den Luftdruck aus der Positiv-Luftkammer des Dämpfers vollständig abzulassen.

Wenn der Dämpferkörper nahezu bis zum Durchschlagen in die Luftkammer eintritt, nachdem die Luft aus der Positiv-Luftkammer abgelassen wurde, pumpen Sie den Dämpfer mithilfe einer Hochdruckpumpe auf 17 bar (250 psi) auf.

Wenn der Dämpfer sich nicht vollständig ausfährt, ist er blockiert.

Unsachgemäße Reparaturen an Marzocchi-Luftdämpfern in blockiertem Zustand können zu SCHWEREN ODER TÖDLICHEN VERLETZUNGEN führen. Wenden Sie sich wegen Reparaturen an Marzocchi oder ein zugelassenes Service-Center.

EINBAU DES HINTERBAUDÄMPFERS

⚠️ WARNUNG

Die Einstellung und Konfiguration des Hinterbaudämpfers ist von Fahrradhersteller zu Fahrradhersteller sehr verschieden. Beachten Sie die Ihrem Fahrrad beiliegende Anleitung des Herstellers. Produkte von Marzocchi müssen von einem qualifizierten Fahrradmechaniker gemäß den Marzocchi-Einbauanleitungen eingebaut werden. Unsachgemäß eingebaute Dämpfer können versagen, sodass der Fahrer die Kontrolle über das Fahrrad verliert, was zu SCHWEREN ODER TÖDLICHEN VERLETZUNGEN führen kann.

Wenn Sie Ihren Dämpfer in ein Fahrrad einbauen, bei dem der Dämpfer keine Originalausstattung war, befolgen Sie die folgenden Schritte, um vor der Fahrt einen ausreichenden Freiraum zu gewährleisten.

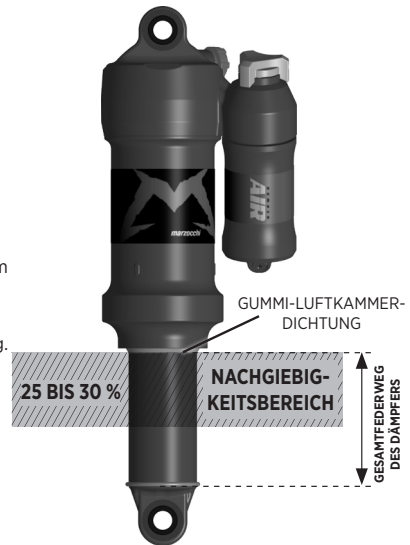
LUFTDÄMPFER

1. Bauen Sie den Dämpfer gemäß den Anweisungen des Rahmenherstellers in Ihren Rahmen ein.
2. Entfernen Sie die Luftventilkappe, bringen Sie eine Dämpferpumpe an und lassen Sie dann LANGSAM die gesamte Luft aus der Hauptluftkammer ab.
3. Bewegen Sie den Dämpfer langsam einige Male durch den gesamten Federweg.
4. Vergewissern Sie sich, dass der Dämpfer über seinen gesamten Federweg hinweg KEINEN Teil des Rahmens oder Gestänges berührt.
5. Stellen Sie die Nachgiebigkeit wie nachfolgend beschrieben ein.

EINSTELLEN DER NACHGIEBIGKEIT

Um mit Ihrer Marzocchi-Federung eine optimale Leistung zu erzielen, passen Sie den Luftdruck an, um die Nachgiebigkeit wie erforderlich einzustellen. Die Nachgiebigkeit ist der Weg, um den Ihre Federung durch Ihr Körpergewicht und die Fahrradkleidung einfedert. Die Nachgiebigkeit sollte auf 25 bis 30 % des Gesamtfederwegs des Dämpfers eingestellt werden.

1. Drehen Sie Druckstufen-Einsteller bis zum Anschlag gegen den Uhrzeigersinn in die offene Stellung.
2. Stellen Sie den Luftdruck des Dämpfers (in psi) so ein, dass er Ihrem Gewicht in Pfund entspricht. Bringen Sie die Luftpumpe am Dämpfer an und drücken Sie dann den Dämpfer 10 Mal langsam um 25 % des Federwegs zusammen, bis Sie den gewünschten Druck erreicht haben. Dadurch wird der Luftdruck zwischen der Positiv- und der Negativ-Luftkammer ausgeglichen; die Druckanzeige am Pumpenmanometer ändert sich entsprechend.
3. Überschreiten Sie nicht den maximalen Luftdruck:
Bei BOMBER AIR-Dämpfern beträgt der maximale Luftdruck 24,1 bar (350 psi).
4. Nehmen Sie die Pumpe ab.
5. Setzen Sie sich in Ihrer normalen Fahrposition auf das Fahrrad, und stützen Sie sich an einer Wand oder einem Baum ab.
6. Schieben Sie den Anzeige-O-Ring für die Nachgiebigkeit gegen die Gummi-Luftkammerdichtung.
7. Steigen Sie vorsichtig vom Fahrrad ab, ohne es einfedern zu lassen.
8. Messen Sie den Abstand zwischen dem Anzeige-O-Ring für die Nachgiebigkeit und der Gummi-Luftkammerdichtung. Vergleichen Sie Ihre Messung mit dem Wert in der Tabelle „Empfohlene Nachgiebigkeitswerte“.
9. Erhöhen oder reduzieren Sie den Luftdruck, bis Sie den gewünschten Nachgiebigkeitswert erreicht haben.



Empfohlene Nachgiebigkeitswerte		
Federweg	25 % Nachgiebigkeit (Hart)	30 % Nachgiebigkeit (Weich)
45 mm	11,25 mm	13,5 mm
55 mm	13,75 mm	16,5 mm
65 mm	16,25 mm	19,5 mm
75 mm	18,75 mm	22,5 mm



Überschreiten Sie nicht den maximalen Luftdruck:

Der maximale Luftdruck für den **BOMBER AIR** beträgt **24,1 bar**.

LUFTKAMMER

LUFTDRUCK ERHÖHEN

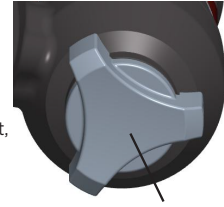
Gleichen Sie den Luftdruck zwischen der Positiv- und der Negativ-Luftkammer aus, indem Sie den Dämpfer nach jeder Erhöhung des Luftdrucks um 3,5 bar 10 bis 20 Mal langsam um 25 % des Federwegs zusammendrücken. Wenn Sie die Luftkammern nicht ausgleichen, kann es dazu kommen, dass der Luftdruck in der Positiv-Luftkammer höher als in der Negativ-Luftkammer ist. Wenn sich der Dämpfer sehr steif anfühlt und in der vollständig ausgefederten Position befindet, drücken Sie ihn zusammen, bis Sie einen Lufttransfer hören oder spüren. Halten Sie den Dämpfer einige Sekunden lang in dieser zusammengedrückten Position.

LUFTDRUCK ABLASSEN

Lassen Sie den Luftdruck langsam ab, sodass auch die Luft aus der Negativ-Luftkammer über das Schrader-Ventil abgelassen werden kann. Wenn Sie den Luftdruck zu schnell ablassen, kann es dazu kommen, dass der Luftdruck in der Negativ-Luftkammer höher als in der Positiv-Luftkammer ist. Wenn der Dämpfer in seinen Federweg eingefedert ist und nicht vollständig ausfährt, erhöhen Sie den Luftdruck, bis der Dämpfer ausfährt und drücken Sie ihn dann 10 bis 20 Mal langsam um 25 % des Federwegs zusammen.

EINSTELLEN DER DRUCKSTUFE

Der Low-Speed-Druckstufen-Einsteller ermöglicht die Anpassung der Low-Speed-Druckstufendämpfung. Drehen Sie den Einsteller im Uhrzeigersinn, um die Druckstufendämpfung zu erhöhen, oder drehen Sie ihn gegen den Uhrzeigersinn, um die Druckstufendämpfung zu verringern. Beginnen Sie damit, den Druckstufen-Einsteller bis zum Anschlag gegen den Uhrzeigersinn in die OFFENE Einstellung zu drehen.

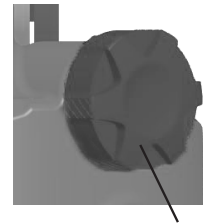


LOW-SPEED-DRUCKSTUFEN-EINSTELLER

EINSTELLEN DER ZUGSTUFE

Die Zugstufeneinstellung hängt von der Einstellung des Luftdrucks ab. Höhere Luftdrücke erfordern beispielsweise niedrigere Zugstufeneinstellungen. Bestimmen Sie Ihre Zugstufeneinstellung anhand des Luftdrucks. Drehen Sie den Zugstufeneinsteller in die geschlossene Position, d. h. bis zum Anschlag im Uhrzeigersinn. Drehen Sie ihn dann um die in der untenstehenden Tabelle angegebene Anzahl Klicks gegen den Uhrzeigersinn.

Zugstufe	
Luftdruck (bar)	Beginnen mit dem Einstellen der Zugstufe
< 6,9	10
6,9 bis 8,3	10
8,3 bis 9,6	9
9,6 bis 11,0	8
11,0 bis 12,4	7
12,4 bis 13,8	6
13,8 bis 15,2	5
15,2 bis 16,5	4
16,5 bis 17,9	3
17,9 bis 19,3	2
19,3 bis 20,7	1



ZUGSTUFEN-EINSTELLER

ZUSÄTZLICHE ABSTIMMUNGSOPTIONEN

VOLUMENDISTANZSTÜCKE

Volumendistanzstücke ermöglichen bei dem Dämpfer eine interne Anpassung, mit der Sie den Federweg im mittleren Bereich und den Durchschlagswiderstand abstimmen können. Wenn Sie die Nachgiebigkeit richtig eingestellt haben und der gesamte Federweg (Durchschlagen) zu einfach erreicht wird, können Sie ein größeres Distanzstück installieren, um den Durchschlagswiderstand zu erhöhen. Wenn Sie die Nachgiebigkeit richtig eingestellt haben und der gesamte Federweg nicht ausgenutzt wird, können Sie ein kleineres Distanzstück montieren, um den Durchschlagswiderstand zu verringern.

Einbauverfahren und Abstimmungsoptionen sind Online verfügbar unter: marzocchi.com.

WARTUNG

Die ordnungsgemäße Reinigung Ihres Marzocchi-Produkts zwischen den Fahrten und die regelmäßige Wartung tragen dazu bei, die Reparaturkosten zu senken und die Haltbarkeit des Produkts zu verlängern. Weitere Informationen zu Wartungsverfahren finden Sie unter www.Marzocchi.com oder erkundigen Sie sich bei Marzocchi USA nach unserem umfassenden Wartungsservice (**1.800.369.7469**).

Minimal empfohlene Wartungsmaßnahmen	Vor jeder Fahrt	Nach jeder Fahrt	Regelmäßig	Alle 125 Stunden oder jährlich (der frühere Zeitpunkt gilt)*
Überprüfen Sie sorgfältig das Äußere des Dämpfers. Wenn Sie Beschädigungen feststellen, dürfen Sie den Dämpfer nicht benutzen. Wenden Sie sich zur Reparatur an Ihren Händler oder an Marzocchi.	X			
Reinigen Sie die Komponenten von außen nur mit milder Seife und Wasser; trocknen Sie sie dann mit einem trockenen, weichen Tuch ab. Verwenden Sie keinen Hochdruckreiniger und sprühen Sie kein Wasser direkt auf den Übergang zwischen Dichtung und Dämpferkörper.		X		
Überprüfen Sie die Nachgiebigkeits- und Dämpfereinstellungen. Überprüfen Sie die Bedienelemente auf sichtbare Schäden und ordnungsgemäße Funktion.			X	
Vollständige Wartung (vollständige innere/äußere Inspektion, Dämpferüberholung).				X

*Für liftgestütztes Downhill, Downhill-Parks oder Extreme Freeride sowie bei extrem feuchten/schlammigen oder trockenen/staubigen Fahrbedingungen, wenn Schlamm und Staub während der Fahrt gegen den Dämpfer spritzen, empfiehlt Marzocchi, die Wartung in kürzeren Abständen als oben aufgeführt durchzuführen. Wenn Sie etwas Ungewöhnliches hören, sehen oder spüren, steigen Sie sofort vom Fahrrad und wenden Sie sich an ein zugelassenes Marzocchi Service-Center, um Ihr Produkt warten zu lassen.

WEITERE INFORMATIONEN UND VIDEOS:

www.Marzocchi.com

Marzocchi gewährt auf seine Federungsprodukte folgende EINGESCHRÄNKTE GEWÄHRLEISTUNG:

EINGESCHRÄNKTE GEWÄHRLEISTUNG VON MARZOCCHI

EINGESCHRÄNKTE EIN (1)-JÄHRIGE GEWÄHRLEISTUNG AUF FEDERUNGSPRODUKTE

Gemäß den hier dargelegten Beschränkungen und Bestimmungen gewährleistet Marzocchi gegenüber dem Originalkäufer jedes neuen Marzocchi-Federungsprodukts, dass das Marzocchi-Federungsprodukt im Neuzustand frei von Material- und Herstellungsfehlern ist. Der Garantiezeitraum endet ein (1) Jahr nach dem Datum des Kaufs des Original-Marzocchi-Federungsprodukts im Einzelhandel bei einem zugelassenen Marzocchi-Händler oder einem von Marzocchi zugelassenen Originalhersteller, wenn die Marzocchi-Federung als Originalausstattung an einem gekauften Fahrrad erworben wird.

GEWÄHRLEISTUNGSAUSSCHLUSS

Diese eingeschränkte Gewährleistung gilt für das Marzocchi-Federungsprodukt, sofern es unter normalen Bedingungen und wie von Marzocchi vorgeschrieben ordnungsgemäß gewartet wird.

Diese eingeschränkte Gewährleistung gilt nur für Marzocchi-Federungsprodukte, die neu von einem zugelassenen Marzocchi-Händler gekauft wurden, und wird nur dem Erstkäufer (Verbraucher) des neuen Marzocchi-Federungsprodukts gewährt. Sie ist nicht auf nachfolgende Besitzer übertragbar.

Sollte durch Marzocchi nach seinem alleinigen und endgültigen Ermessen festgestellt werden, dass ein Marzocchi-Federungsprodukt von dieser eingeschränkten Gewährleistung gedeckt ist, wird es nach alleiniger, endgültiger und verbindlicher Entscheidung von Marzocchi repariert oder durch ein vergleichbares Modell ersetzt. WEITERGEHENDE ANSPRÜCHE GEMÄSS DIESER EINGESCHRÄNKTEN GEWÄHRLEISTUNG SIND AUSGESCHLOSSEN. JEDLICHE SONSTIGEN ANSPRÜCHE UND SCHADENERSATZFORDERUNGEN, DIE GEMÄSS DIESER EINGESCHRÄNKTEN GEWÄHRLEISTUNG SONSTIG ANWENDBAR SEIN KÖNNEN, WERDEN AUSGESCHLOSSEN, EINSCHLIESSLICH, JEDOCH NICHT BESCHRÄNKT AUF DIE HAFTUNG FÜR ZUFÄLLIGE ODER FOLGESCHÄDEN SOWIE BUSSGELDER.

Diese eingeschränkte Gewährleistung gilt nicht für Schäden infolge von normalem Verschleiß sowie Fehlfunktionen oder Ausfälle, die infolge von Missbrauch, fehlerhafter Montage, Fahrlässigkeit, Veränderungen, unsachgemäßer Wartung, Unfällen, unsachgemäßem Gebrauch oder Kollisionen entstehen.

Diese eingeschränkte Gewährleistung räumt dem Kunden spezifische Rechte ein. Dem Kunden stehen gemäß nationalen Gesetzen möglicherweise Rechte zu, die von dieser eingeschränkten Gewährleistung nicht betroffen sind. Wenn ein zuständiges Gericht aus jeglichem Grund eine Bestimmung dieser eingeschränkten Gewährleistung als unwirksam erachtet, wirkt sich dies nicht auf die anderen Bestimmungen dieser eingeschränkten Gewährleistung aus, und sämtliche anderen Bestimmungen bleiben wirksam.

DIES IST DIE EINZIGE GEWÄHRLEISTUNG, DIE MARZOCCHI AUF SEINE FEDERUNGSPRODUKTE UND -KOMPONENTEN GEWÄHRT. JEDLICHE GARANTIEEN, DIE ÜBER DIE HIER BESCHRIEBENEN HINAUSGEHEN, WERDEN AUSGESCHLOSSEN. JEDLICHE KONKLUDENTEN GESETZLICHEN GARANTIEEN, INSBESONDERE JEDLICHE KONKLUDENTE GEWÄHRLEISTUNG DER MARKTGÄNGIGKEIT ODER EIGNUNG FÜR EINEN BESTIMMTEN ZWECK, WERDEN AUSGESCHLOSSEN.

Diese eingeschränkte Gewährleistung unterliegt ausschließlich der Gesetzgebung des US-Bundesstaates Kalifornien.

Für Fragen bezüglich dieser Gewährleistung oder Marzocchi-Produkten wenden Sie sich bitte telefonisch an die US-Kundendienst-Abteilung von Marzocchi unter 1-800-369-7469, oder besuchen Sie www.Marzocchi.com.

Um einen Garantieanspruch im Rahmen dieser eingeschränkten Gewährleistung geltend zu machen, müssen Sie Folgendes an ein zugelassenes Marzocchi Service-Center senden:

1. Das Produkt (oder das betroffene Teil) und
2. Eine Kopie des Originalkaufbelegs, auf welcher der Name und die Anschrift des Verkäufers, der Kaufort und das Kaufdatum, die Produktteilenummer und gegebenenfalls eine Seriennummer angegeben sind. Wenn Marzocchi Produkte als Teil eines kompletten Fahrrads verkauft werden, sind die Marke des Fahrrads, das Modell, das Modelljahr und die Seriennummer anzugeben.

Marzocchi ist eine Marke der FOX Factory, Inc.

¡ENHORABUENA!

Gracias por elegir un producto de suspensión Marzocchi para su bicicleta. Todos los productos de suspensión Marzocchi han sido diseñados, probados y fabricados por los mejores profesionales del sector, en el condado de Santa Cruz, California, EE. UU.

Para una adecuada instalación, utilización y mantenimiento de su nuevo producto Marzocchi, siga las instrucciones y recomendaciones que se ofrecen en esta guía del propietario.

Puede obtener más información y videos en www.Marzocchi.com, o bien llamando a Marzocchi de EE. UU. al 1.800.369.7469 o poniéndose en contacto con un centro de servicio internacional autorizado de Marzocchi, cuyos datos podrá encontrar en www.Marzocchi.com. Si no dispone de acceso a Internet, póngase en contacto con Marzocchi a fin de solicitar gratuitamente una copia impresa del manual del propietario en línea de Marzocchi para su producto.

ADVERTENCIA E INFORMACIÓN PARA SU SEGURIDAD

Los productos Marzocchi deben ser instalados por un técnico de mantenimiento de bicicletas profesional, siguiendo las especificaciones de instalación de Marzocchi. Una horquilla mal instalada puede fallar, provocando la pérdida de control de la bicicleta, lo que puede ocasionar LESIONES GRAVES O LA MUERTE.

La modificación o alteración de productos Marzocchi puede provocar el fallo del producto y ocasionar LESIONES GRAVES O LA MUERTE. No modifique ni altere NUNCA ninguna parte de un producto Marzocchi.

Los productos de suspensión para bicicletas Marzocchi también se pueden usar en bicicletas motorizadas asistidas por pedal o vehículos motorizados de menos de 250 vatios de potencia. NO utilice los productos de suspensión para bicicletas Marzocchi en vehículos de 250 o más vatios de potencia.

NO utilice ningún producto de suspensión para bicicletas Marzocchi en motociclos asistidos por pedaleo o en vehículos motorizados de más de 500 vatios de potencia. NO utilice ningún producto de suspensión para bicicletas Marzocchi en vehículos motorizados equipados con acelerador.

El uso incorrecto de los productos de suspensión Marzocchi puede provocar el fallo de la suspensión, lo que a su vez puede ocasionar daños a la propiedad, LESIONES GRAVES O LA MUERTE, y anulará la garantía.

NO utilice los productos de suspensión para bicicletas Marzocchi en vehículos que transporten a más de una persona, como una bicicleta tándem o una bicicleta de uso pesado.

Un mantenimiento inadecuado o la utilización de recambios no originales en las horquillas y amortiguadores Marzocchi pueden provocar fallos de funcionamiento en el producto que ocasionen LESIONES GRAVES O LA MUERTE.

No utilice nunca máquinas de lavado a presión para limpiar los productos Marzocchi.

Para instalar y ajustar correctamente el sistema de frenos, siga las instrucciones del fabricante de los frenos. No instalar y ajustar correctamente los frenos puede provocar la pérdida de control de la bicicleta y ocasionar LESIONES GRAVES O LA MUERTE.

El amortiguador puede fallar ante una situación que provoque el doblamiento de alguna de sus piezas o su rotura. Cualquier situación que provoque la pérdida de aire o aceite, como una colisión o un largo período de inactividad, también puede dar lugar a un fallo del amortiguador. Un amortiguador dañado o con fugas puede dejar de funcionar correctamente y ocasionar un accidente con LESIONES GRAVES O INCLUSO MORTALES. Si sospecha que su amortiguador está dañado, deje de montar inmediatamente y póngase en contacto con Marzocchi para que lo inspeccionen y reparen.

No intente nunca tirar para separar, desmontar, abrir ni reparar un amortiguador Marzocchi que haya quedado atascado en posición retraída. El atasco en posición retraída se debe al fallo de la junta dinámica de aire (situada entre las cámaras de aire positiva y negativa que hay dentro de la camisa neumática del amortiguador). En consecuencia, la cámara negativa mantiene una presión de aire superior a la positiva. Para comprobar si el amortiguador se encuentra efectivamente atascado en posición retraída:

Quite el tapón de aire y presione sobre la válvula Schrader para vaciar todo el aire de la cámara positiva del amortiguador.

Si el cuerpo del amortiguador se retrae hacia dentro de la camisa neumática, cerca de la posición de máxima compresión, después de haberse liberado todo el aire de la cámara positiva, acople una bomba manual de alta presión y presurice el amortiguador hasta alcanzar 17 bar (250 psi).

Si el amortiguador no se extiende del todo, significa que se ha quedado atascado en posición retraída.

Un mantenimiento o reparación inadecuados de un amortiguador neumático Marzocchi que haya quedado atascado en posición retraída pueden provocar LESIONES GRAVES O LA MUERTE. Contacte con Marzocchi o un servicio técnico autorizado si necesita asistencia técnica para la reparación.

INSTALACIÓN DEL AMORTIGUADOR TRASERO

⚠ ADVERTENCIA

La configuración y el ajuste del amortiguador trasero varían considerablemente entre los distintos fabricantes de bicicletas. Asegúrese de consultar el manual del propietario de su bicicleta. Los productos Marzocchi deben ser instalados por un técnico de mantenimiento de bicicletas cualificado, siguiendo las especificaciones de instalación de Marzocchi. Un amortiguador mal instalado puede fallar, provocando la pérdida de control de la bicicleta, lo que puede ocasionar LESIONES GRAVES O LA MUERTE.

Si está instalando el amortiguador en una bicicleta en la que no venía de serie, siga los pasos que se indican a continuación antes de montar para confirmar que hay espacio suficiente.

AMORTIGUADORES NEUMÁTICOS

1. Instale el amortiguador en el cuadro siguiendo las instrucciones del fabricante del cuadro.
2. Retire el tapón de aire, conecte una bomba para amortiguadores y libere LENTAMENTE todo el aire de la cámara de aire principal.
3. Comprima la suspensión despacio en todo su recorrido.
4. Compruebe que el amortiguador NO hace contacto con ninguna parte o articulación del cuadro a lo largo de su recorrido.
5. Ajuste el hundimiento siguiendo estas instrucciones.

AJUSTE DEL HUNDIMIENTO

Para que su suspensión Marzocchi funcione a pleno rendimiento, regule la presión de aire para obtener el ajuste de hundimiento adecuado. El hundimiento es el grado de compresión que experimenta la suspensión bajo el peso del propio ciclista y de su indumentaria. El margen de hundimiento debe ajustarse a una amplitud de entre el 25 y el 30 % del recorrido total del amortiguador.

1. Gire a tope el regulador de compresión en sentido antihorario hasta la posición Abierto.
2. Empezee ajustando la presión de aire del amortiguador a un valor en bares igual a 1/7 de su peso en kg (un valor en psi igual a su peso en libras). Con la bomba de aire conectada a la válvula del amortiguador, comprima y suelte 10 veces el amortiguador un 25 % de su recorrido hasta alcanzar la presión deseada. Con ello se igualarán las presiones de las cámaras de aire positiva y negativa e irá variando la presión indicada por el manómetro de la bomba.
3. No supere la presión de aire máxima: Los amortiguadores neumáticos BOMBER admiten una presión de aire máxima de 24,1 bar (350 psi).
4. Retire la bomba.
5. Manténgase encima de la bicicleta sin moverse, en posición normal, utilizando como apoyo un árbol o una pared.
6. Tire de la junta tórica indicadora de hundimiento hacia arriba, contra la junta de goma de la camisa de aire.
7. Bájese de la bicicleta con cuidado, sin botar.
8. Mida la distancia entre la junta tórica indicadora de hundimiento y la junta de goma de la camisa de aire. Compare su medida con los valores indicados en la tabla «Valores recomendados de hundimiento».
9. Aumente o reduzca la presión de aire hasta alcanzar el valor de hundimiento deseado.



Valores recomendados de hundimiento		
Recorrido	25 % de hundimiento (firme)	30 % de hundimiento (blando)
45 mm (1,7 pulg.)	11,25 mm (0,44 pulg.)	13,5 mm (0,53 pulg.)
55 mm (2,16 pulg.)	13,75 mm (0,54 pulg.)	16,5 mm (0,65 pulg.)
65 mm (2,56 pulg.)	16,25 mm (0,64 pulg.)	19,5 mm (0,77 pulg.)
75 mm (2,95 pulg.)	18,75 mm (0,74 pulg.)	22,5 mm (0,88 pulg.)



No supere la presión de aire máxima:

La presión de aire máxima del amortiguador neumático **BOMBER es 24,1 bar (350 psi)**.

MANGUITO DEL AIRE

AUMENTO DE LA PRESIÓN DE AIRE

Igualé las presiones de las cámaras de aire positiva y negativa comprimiendo lentamente el amortiguador entre 10 y 20 veces un 25 % de su recorrido después de cada 3,4 bar (50 psi) de aumento de presión. Si no se iguala la presión de ambas cámaras, podría quedar más presión en la cámara de aire positiva que en la negativa. Si nota el amortiguador muy duro y se encuentra en su posición de máxima extensión, comprímalo hasta que oiga o perciba que pasa aire de una cámara a otra. Mantenga el amortiguador comprimido en esa posición durante unos segundos.

REDUCCIÓN DE LA PRESIÓN DE AIRE

Libere aire lentamente para que también salga aire de la cámara negativa a través de la válvula Schrader. Si suelta aire demasiado rápido, la cámara negativa podría quedar con más presión que la positiva. Si el amortiguador se comprime en todo su recorrido, pero no se extiende por completo, añada presión de aire hasta extenderlo completamente. A continuación, comprima lentamente el amortiguador de 10 a 20 veces un 25 % de su recorrido.

AJUSTE DE LA COMPRESIÓN

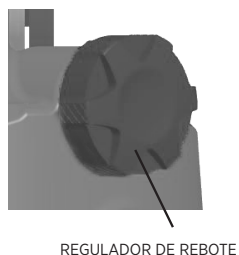
El mando de compresión de baja velocidad permite cambiar la amortiguación de compresión de baja velocidad. Gire el mando en sentido horario para aumentar la amortiguación de compresión y en sentido antihorario para reducirla. Empiece con regulador de compresión ajustado en ABIERTO, a tope en sentido antihorario.



AJUSTE DEL REBOTE

El ajuste de rebote depende del ajuste de presión de aire. Por ejemplo, las presiones más elevadas requieren un valor de rebote más lento. Utilice su presión de aire como referencia para determinar el valor de rebote que debe emplear. Gire a tope en sentido horario el mando de rebote hasta la posición de cierre. A continuación, gírelo en sentido antihorario hasta el número de clics indicado en la tabla siguiente.

Rebote	
Presión de aire (bar [psi])	Valor de rebote inicial
<6,9 (100)	10
6,9-8,3 (100-120)	10
8,3-9,6 (120-140)	9
9,6-11,0 (140-160)	8
11,0-12,4 (160-180)	7
12,4-13,8 (180-200)	6
13,8-15,2 (200-220)	5
15,2-16,5 (220-240)	4
16,5-17,9 (240-260)	3
17,9-19,3 (260-280)	2
19,3-20,7 (280-300)	1



OPCIONES DE AJUSTE ADICIONALES

ESPACIADORES DE VOLUMEN

La sustitución de espaciadores de volumen en el amortiguador es un ajuste interno que permite variar el grado de resistencia de la horquilla a media carrera y a fondo. Si, a pesar de haber ajustado correctamente el hundimiento, se utiliza todo el recorrido con demasiada facilidad, puede instalar un espaciador más grande para aumentar la resistencia de alcance del fondo. Si ha ajustado el hundimiento correctamente y no utiliza todo el recorrido, puede instalar un espaciador más pequeño para reducir la resistencia de alcance del fondo.

El procedimiento de instalación y las opciones de ajuste están disponibles en línea en: marzocchi.com.

MANTENIMIENTO

Una limpieza adecuada de su producto Marzocchi después de cada uso, junto con un mantenimiento a intervalos regulares, contribuirá a reducir los costes de reparación y a prolongar la vida útil del producto.

Para obtener más información sobre los procedimientos de mantenimiento, visite www.Marzocchi.com o póngase en contacto con Marzocchi de EE. UU. si necesita una revisión integral (**1.800.369.7469**).

Puntos de mantenimiento mínimos recomendados	Antes de cada uso de la bicicleta	Después de cada uso de la bicicleta	Periódicamente	Cada 125 horas de uso o una vez al año, lo que suceda antes*
Inspeccione todo el exterior del amortiguador. No debería utilizar el amortiguador si alguna de sus piezas exteriores parece estar dañada. Le recomendamos que se ponga en contacto con su concesionario local o con Marzocchi para su reparación.	X			
Limpie el exterior únicamente con agua y un jabón suave; a continuación, seque con un paño suave. No utilice máquinas de lavado a alta presión ni rocíe agua directamente sobre las uniones entre la junta y el cuerpo del amortiguador.		X		
Compruebe los ajustes de hundimiento y amortiguación. Verifique que los controles funcionan correctamente y compruebe si presentan algún daño apreciable a simple vista.			X	
Mantenimiento completo (revisión interior/exterior integral, restauración del amortiguador).				X

* Para los ciclistas que realizan descenso de pendientes extremo con ascenso por elevador (DH), Park (ciclismo acrobático en pistas urbanas de skateboard) o Freeride extremo, o que circulan bajo condiciones ambientales extremadamente húmedas o embarradas, o muy secas y polvorientas, en las que la gravilla del camino se proyecta contra el amortiguador, Marzocchi recomienda encarecidamente realizar las operaciones de mantenimiento con una frecuencia mayor de la indicada. Si escucha, ve o nota algo inusual, deje de montar inmediatamente y contacte con un servicio técnico autorizado de Marzocchi para que revisen adecuadamente el producto.

MÁS INFORMACIÓN Y VÍDEOS EN:

www.Marzocchi.com

Marzocchi ofrece la siguiente GARANTÍA LIMITADA en sus productos de suspensión:

GARANTÍA LIMITADA DE MARZOCCHI

GARANTÍA LIMITADA DE UN (1) AÑO PARA PRODUCTOS DE SUSPENSIÓN

Conforme a las limitaciones, términos y condiciones aquí descritos, Marzocchi garantiza al propietario original de un producto de suspensión Marzocchi nuevo que dicho producto no presenta defectos materiales ni de mano de obra. Esta garantía limitada caduca un (1) año después de la fecha original de compra del producto de suspensión Marzocchi a un concesionario autorizado por Marzocchi o a un integrador de equipos originales autorizado por Marzocchi, en caso de que la suspensión Marzocchi venga incluida de serie en el vehículo adquirido.

CONDICIONES DE LA GARANTÍA

Esta garantía limitada está condicionada a que el producto de suspensión Marzocchi se use en condiciones normales y reciba un mantenimiento adecuado conforme a las especificaciones indicadas por Marzocchi. La presente garantía limitada se aplica exclusivamente a las suspensiones Marzocchi adquiridas como producto nuevo a un proveedor autorizado por Marzocchi; solo cubre al propietario que adquirió originalmente el producto de suspensión Marzocchi nuevo y no se puede transferir a propietarios posteriores.

Si se determina, a criterio exclusivo y concluyente de Marzocchi, que un producto de suspensión Marzocchi está cubierto por esta garantía limitada, se procederá a su reparación o sustitución por un modelo equivalente, a elección exclusiva de Marzocchi, lo que será definitivo y vinculante. ESTE ES EL ÚNICO RESARCIMIENTO PREVISTO AL AMPARO DE ESTA GARANTÍA LIMITADA. QUEDAN EXCLUIDOS EXPRESAMENTE CUALESQUIERA OTROS RESARCIMIENTOS O COMPENSACIONES POR DAÑOS Y PERJUICIOS QUE PUDIERAN SER DE APLICACIÓN, LO QUE INCLUYE, ENTRE OTROS, LOS DAÑOS EMERGENTES O INDIRECTOS Y LOS DAÑOS PUNITIVOS.

La presente garantía limitada no cubre el desgaste y deterioro normales por el uso, ni los fallos o averías provocados por un uso indebido o negligente, un montaje incorrecto, la alteración o modificación, reparaciones u operaciones de mantenimiento inadecuadas o no autorizadas, accidentes, impactos o colisiones, o cualquier otra utilización anormal, excesiva o inapropiada.

Esta garantía limitada confiere derechos legales específicos al cliente. El cliente puede estar amparado también por otros derechos legales bajo la legislación aplicable de su país, a los cuales no afecta esta garantía limitada. Si un tribunal competente determina que alguna de las cláusulas de esta garantía limitada no es aplicable, ello no afectará al resto de cláusulas de la garantía, que permanecerán plenamente vigentes.

ESTA ES LA ÚNICA GARANTÍA QUE MARZOCCHI OFRECE PARA SUS PRODUCTOS Y COMPONENTES DE SUSPENSIÓN, SIN QUE EXISTA NINGUNA OTRA GARANTÍA MÁS ALLÁ QUE LA AQUÍ DESCRITA. QUEDA EXCLUIDA CUALQUIER OTRA GARANTÍA IMPLÍCITA QUE PUDIERA CONSIDERARSE POR LEY, INCLUIDAS, ENTRE OTRAS, LAS GARANTÍAS IMPLÍCITAS DE COMERCIALIZACIÓN O IDONEIDAD PARA UNA FINALIDAD CONCRETA.

Esta garantía limitada se registrará exclusivamente por la legislación del Estado de California.

Si tiene dudas sobre esta garantía o los productos Marzocchi, póngase en contacto con el departamento de atención al cliente en EE. UU. de Marzocchi llamando al 1-800-369-7469 o visitando www.Marzocchi.com.

Si presenta una reclamación conforme a esta garantía limitada, se le pedirá que lleve a un centro de servicio técnico autorizado de Marzocchi:

1. El producto (o la pieza afectada).
2. Una copia del recibo de compra original que indique claramente el nombre y la dirección del vendedor, la fecha y el lugar de compra, el número de referencia del producto y, si se utiliza, un número de serie. Si los productos Marzocchi se venden como parte de una bicicleta completa, debe incluirse la marca de la bicicleta, el modelo, el año del modelo y el número de serie.

PARABÉNS!

Obrigado por escolher um produto de suspensão Marzocchi para a sua bicicleta. Os produtos de suspensão Marzocchi são projetados e testados pelos melhores profissionais da indústria, em Santa Cruz County, Califórnia, EUA.

Siga as diretrizes e instruções fornecidas neste guia do proprietário, de maneira que seja capaz de instalar, usar e manter adequadamente o seu novo produto Marzocchi.

Estão disponíveis mais informações e vídeos em www.Marzocchi.com, ou telefone à Marzocchi US pelo 1.800.369.7469, ou contacte um Centro Autorizado Internacional de Serviço da Marzocchi em www.Marzocchi.com. Se não tiver acesso à internet, contacte a Marzocchi para encomendar uma cópia impressa em papel do manual do proprietário da Marzocchi que está online, para o seu produto, gratuitamente.

AVISO E INFORMAÇÕES DE SEGURANÇA

Os produtos Marzocchi deverão ser instalados por um técnico profissional de manutenção de bicicletas, de acordo com as especificações de instalação da Marzocchi. Os garfos instalados incorretamente podem falhar, fazendo com que o ciclista perca o controlo e resultando em FERIMENTOS GRAVES OU MORTE.

A modificação ou alteração de um produto Marzocchi podem provocar a avaria do produto, resultando em FERIMENTOS GRAVES OU MORTE. Nunca modifique nem altere QUALQUER peça de um produto Marzocchi.

Os produtos de suspensão Marzocchi para bicicletas podem também ser usados em velocípedes motorizados assistidos por pedais ou em veículos motorizados que produzam menos que 250 watts de potência. NÃO use produtos de suspensão Marzocchi para bicicletas em veículos que produzam 250 watts ou mais de potência.

NÃO use nenhuns produtos de suspensões Marzocchi para bicicletas em nenhuns velocípedes motorizados assistidos por pedais nem em veículos motorizados que produzam mais de 500 watts de potência. NÃO use nenhum produto para suspensões de bicicletas Marzocchi em qualquer veículo motorizado que tenha um acelerador.

O uso incorreto dos produtos de suspensão Marzocchi pode provocar a falha da suspensão, resultando em danos aos bens ou FERIMENTOS GRAVES OU MORTE, e anulam a garantia.

NÃO use produtos para suspensão de bicicletas Marzocchi em nenhuns veículos que transportem mais do que um operador ou ciclista, tais como bicicletas para 2 pessoas (tandem) ou bicicletas comerciais pesadas.

A manutenção incorreta, ou o uso de peças sobressalentes não originais Marzocchi com os amortecedores Marzocchi pode provocar a avaria do produto, resultando em FERIMENTOS GRAVES OU MORTE.

Nunca use uma lavadora com pressão para lavar o seu produto Marzocchi.

Siga as instruções de instalação do fabricante do seu travão para uma instalação e afinação corretas

do sistema de travões. Se não instalar e ajustar adequadamente os seus travões, pode provocar a perda de controlo da bicicleta, que pode resultar em FERIMENTOS GRAVES OU MORTE.

O seu amortecedor pode falhar em situações que causem que dobre e/ou parta qualquer peça do amortecedor. Qualquer problema que cause perda de ar e/ou óleo, tal como colisão ou períodos prolongados sem usar, pode também causar a avaria do seu amortecedor. Um amortecedor danificado e/ou com uma fuga pode falhar, resultando em acidente e FERIMENTOS GRAVES OU MORTE. Se suspeitar que o seu amortecedor tenha sido danificado, deixe de guiar imediatamente a bicicleta e contacte a Marzocchi para uma inspeção ou reparação.

Nunca tente abrir, desmontar nem reparar um amortecedor Marzocchi que esteja "encravado". Uma situação de "encravado" resulta da falha do vedante dinâmico de ar (localizado entre a câmara de ar positiva e a negativa, dentro da manga pneumática do amortecedor), resultando em que a câmara negativa retenha uma pressão mais alta do que a câmara positiva. Para testar se o amortecedor está de facto "encravado" desta maneira:

Retire a tampa do ar e carregue na válvula Schrader, para libertar completamente a pressão do ar da câmara positiva do amortecedor.

Se o corpo do amortecedor se retrair para dentro da manga de ar próximo do fim de curso depois de o ar ser libertado da câmara positiva, ligue uma bomba de ar de alta pressão e leve o amortecedor à pressão de 17 bar (250 psi).

Se o amortecedor não se estender completamente, é porque está no estado de "encravado".

Qualquer tentativa de reparar amortecedores pneumáticos Marzocchi no estado "encravado" pode levar a FERIMENTOS GRAVES OU MORTE. Contacte a Marzocchi ou um Centro de Assistência Autorizado para uma reparação.

INSTALAÇÃO DO AMORTECEDOR TRASEIRO



A regulação e configuração do amortecedor traseiro variam muito conforme os diferentes fabricantes de bicicletas. Assegure-se de que consulta o manual do proprietário para a sua bicicleta. Os produtos Marzocchi deverão ser instalados por um técnico profissional de manutenção de bicicletas, de acordo com as especificações de instalação da Marzocchi. Os amortecedores instalados incorretamente podem falhar, fazendo com que o ciclista perca o controlo, e resultando em FERIMENTOS GRAVES OU MORTE.

Se estiver a instalar o seu amortecedor numa bicicleta para a qual o amortecedor não foi fornecido como equipamento original, siga os passos abaixo para assegurar espaço livre (folga) apropriado antes de ir pedalar na bicicleta.

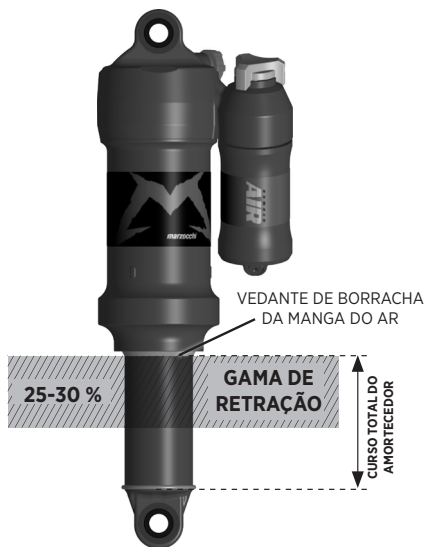
AMORTECEDORES PNEUMÁTICOS

1. Instale o amortecedor no seu quadro de acordo com as instruções do fabricante do quadro.
2. Retire a tampa do ar, prenda a bomba para amortecedores e então deixe sair LENTAMENTE todo o ar de câmara pneumática principal.
3. Devagar comprima a suspensão através do seu curso completo.
4. Verifique que o seu amortecedor não entre em contacto com nenhuma zona do seu quadro nem com peças de ligação, conforme ele se move ao longo de todo o seu curso.
5. Regule a retração de acordo com as seguintes instruções.

REGULAÇÃO DA RETRAÇÃO

Para obter o melhor desempenho da sua suspensão Marzocchi, regule a pressão do ar para conseguir a sua retração preferida. A retração é quanto a sua suspensão se comprime sob o seu peso e o do seu material. A retração deverá ser regulada para 25 - 30% do total do curso do amortecedor.

1. Rode o regulador da compressão completamente no sentido contrário ao dos ponteiros do relógio para o modo Aberto (Open).
2. Comece por fixar a pressão de ar do amortecedor (em psi) para igualar o seu peso em libras. Com a bomba de ar presa à válvula do amortecedor, faça um ciclo lento do seu amortecedor ao longo de 25% do seu curso 10 vezes, conforme alcança a pressão que deseja. Isto irá igualar as câmaras de ar positiva e negativa e mudará a pressão no mostrador da bomba.
3. Não exceda a pressão máxima do ar: Os amortecedores pneumáticos BOMBER AIR têm uma pressão de ar máxima de 24,13 bar (350 psi).
4. Retire a bomba.
5. Sente-se quieto na bicicleta na sua posição normal de condução, usando uma parede ou uma árvore para se segurar.
6. Puxe o vedante tórico (o-ring) do indicador de retração para cima contra o vedante de borracha da manga/tubo do ar.
7. Desmonte cuidadosamente da bicicleta sem dar um solavanco.
8. Meça a distância entre o vedante tórico (o-ring) do indicador de retração e o vedante de borracha da manga/tubo do ar. Compare a sua medição com a tabela 'Medidas Sugeridas para a Retração'.
9. Acrescente ou retire pressão de ar até atingir a sua medida de retração desejada.



Medidas sugeridas para a retração		
Curso	25% de retração (Firme)	30% de retração (Macia)
45 mm (1,7 pol.)	11,25 mm (0,44 pol.)	13,5 mm (0,53 pol.)
55 mm (2,16 pol.)	13,75 mm (0,54 pol.)	16,5 mm (0,65 pol.)
65 mm (2,56 pol.)	16,25 mm (0,64 pol.)	19,5 mm (0,77 pol.)
75 mm (2,95 pol.)	18,75 mm (0,74 pol.)	22,5 mm (0,88 pol.)



Não exceda a pressão máxima do ar:

A pressão máxima do ar para o **BOMBER AIR** é **24,13 bar (350 psi)**

MANGA DO AR

ADICIONAR PRESSÃO DE AR

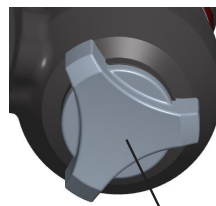
Deverá igualar as câmaras de ar positiva e negativa comprimindo lentamente o amortecedor ao longo de 25% do seu curso 10 - 20 vezes, depois de ter acrescentado 3,45 bar (50 psi) de cada vez. Se não igualar as câmaras, poderá ter maior pressão na câmara de ar positiva do que na câmara negativa. Se sentir que o amortecedor está muito teso, e está na posição do fim de curso alto, comprima o amortecedor até ouvir ou sentir uma transferência de ar. Mantenha o amortecedor nesta posição comprimida durante alguns segundos.

LIBERTAR PRESSÃO DE AR

Liberte o ar lentamente de modo que o ar da câmara negativa também possa ser libertado através da válvula Schrader. Libertar a pressão do ar demasiado depressa pode fazer com que a câmara negativa fique com mais pressão do que a câmara positiva. Se o amortecedor for comprimido ao longo do seu curso e não se estender completamente, acrescente pressão de ar até que o amortecedor se estenda, e depois comprima lentamente o amortecedor ao longo de 25% do seu curso 10 a 20 vezes.

AJUSTAR A COMPRESSÃO

O botão de compressão de baixa velocidade permite fazer alterações ao amortecimento da compressão de baixa velocidade. Rode o botão no sentido dos ponteiros do relógio para aumentar o amortecimento da compressão, e no sentido contrário ao dos ponteiros do relógio para diminuir o amortecimento da compressão. Comece por fixar o ajustador da compressão na posição de ABERTO (OPEN), completamente no sentido contrário ao dos ponteiros do relógio.

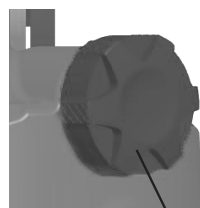


REGULADOR DE
COMPRESSÃO DE BAIXA
VELOCIDADE

AJUSTAR A RECUPERAÇÃO

A regulação de recuperação está dependente da configuração da pressão do ar. Por exemplo, pressões de ar mais altas exigem configurações mais lentas de recuperação. Use a sua pressão do ar para determinar a sua configuração de recuperação. Rode o seu botão de recuperação para a posição de fechado, no sentido dos ponteiros do relógio, até ele parar. Então rode-o no sentido contrário ao dos ponteiros do relógio para o número de estalidos (cliques) indicados na tabela abaixo.

Recuperação	
Pressão do ar (bar)	Configuração inicial para a recuperação
<6,9	10
6,9-8,3	10
8,3-9,6	9
9,6-11,0	8
11,0-12,4	7
12,4-13,8	6
13,8-15,2	5
15,2-16,5	4
16,5-17,9	3
17,9-19,3	2
19,3-20,7	1



REGULADOR DA
RECUPERAÇÃO

OPÇÕES DE REGULAÇÃO ADICIONAIS

ESPAÇADORES DE VOLUME

Substituir os espaçadores de volume no amortecedor é um ajuste interno fácil que lhe permite mudar a quantidade de resistência de médio curso e de fim de curso no fundo. Se regulou a sua retração corretamente e está a ter o curso completo (bater no fundo) com demasiada facilidade, então poderá instalar um espaçador maior para aumentar a resistência ao bater no fundo. Se regulou a sua retração corretamente e está a usar o curso completo, então poderá instalar um espaçador mais pequeno para diminuir a resistência ao bater no fundo.

O procedimento de instalação e as opções de afinação estão disponíveis online em: marzocchi.com.

MANUTENÇÃO

A limpeza correta do seu produto Marzocchi entre passeios de bicicleta, além do serviço de manutenção agendado a intervalos regulares, irá ajudar a reduzir os custos de reparação e prolongar a vida do produto.

Para obter mais informações de procedimentos de manutenção, visite www.Marzocchi.com, ou contacte a Marzocchi US para ter serviço de manutenção completo (1.800.369.7469).

Itens mínimos recomendados para manutenção	Sempre antes de pedalar na bicicleta	Sempre depois de pedalar na bicicleta	Regularmente	Cada 125 horas ou anualmente, o que ocorrer primeiro*
Inspeccione todo o exterior do seu amortecedor. O amortecedor não deverá ser usado se qualquer das peças exteriores parecer estar danificada. Contacte o seu concessionário local ou a Marzocchi para reparações.	X			
Lave o exterior apenas com sabão suave e água, e depois limpe com uma toalha macia para secar. Não use um dispositivo de lavagem a alta pressão nem borrife água diretamente no vedante/junção do corpo do amortecedor.		X		
Verifique as configurações da retração e do amortecimento. Inspeccione os controlos para detetar danos visíveis, e também o funcionamento.			X	
Manutenção completa (inspeção completa interna/externa, reconstrução do amortecedor).				X

*Para os que conduzem lift-accessed DH, Park ou Extreme Freeride ou em condições ambientais extremas de molhado/lamacento ou seco/poeirento, em que sejam atirados detritos do trilho contra o amortecedor no trilho, a Marzocchi aconselha os ciclistas a efetuar manutenção mais cedo do que se recomenda acima, conforme seja necessário. Se ouvir, vir ou sentir alguma coisa fora do normal, pare imediatamente a bicicleta e contacte um Centro Autorizado de Serviço da Marzocchi para obter manutenção apropriada.

VEJA ADICIONALMENTE INFORMAÇÕES E VÍDEOS:

www.Marzocchi.com

A Marzocchi dá a seguinte GARANTIA LIMITADA relativa aos seus produtos de suspensão:

GARANTIA LIMITADA MARZOCCHI

GARANTIA LIMITADA DE UM (1) ANO EM PRODUTOS DE SUSPENSÃO

Sujeito às limitações, termos e condições aqui indicadas, a Marzocchi garante, ao proprietário original a retalho (o consumidor) de cada produto de suspensão novo Marzocchi, que o produto de suspensão Marzocchi, quando novo, está livre de defeitos em materiais e da mão de obra. Esta garantia limitada expira um (1) ano após a data da compra original a retalho do produto de suspensão Marzocchi de um concessionário autorizado Marzocchi ou de um Fabricante de Equipamento Original autorizado pela Marzocchi, em que a suspensão Marzocchi tenha sido incluída como equipamento original num veículo comprado.

TERMOS DA GARANTIA

Esta garantia limitada é condicional a que o produto de suspensão Fox seja operado sob condições normais e mantido corretamente conforme especificado pela Marzocchi. Esta garantia limitada só é aplicável a uma suspensão Marzocchi comprada nova de uma fonte autorizada Marzocchi e é dada apenas ao dono original a retalho (o consumidor) do produto de suspensão Marzocchi novo e não é transferível a donos subsequentes.

Se for determinado pela Marzocchi, à sua única e final discricção, que o produto de suspensão Marzocchi está coberto por esta garantia limitada, ele será reparado ou substituído, por um modelo comparável, à opção exclusiva da Marzocchi, que será conclusiva e vinculante. ESTE É O REMÉDIO EXCLUSIVO SOB ESTA GARANTIA LIMITADA. TODOS E QUAISQUER OUTROS REMÉDIOS E COMPENSAÇÃO POR DANOS QUE POSSAM DE OUTRO MODO SER APLICÁVEIS AO ABRIGO DESTA GARANTIA LIMITADA SÃO EXCLUÍDOS, INCLUINDO, MAS SEM SE LIMITAR A, COMPENSAÇÃO POR DANOS ACIDENTAIS OU CONSEQUENCIAIS OU COMPENSAÇÃO PUNITIVA.

Esta garantia limitada não se aplica a desgaste e deterioração normais, avarias ou falhas que resultem de abuso, negligência, montagem incorreta, alterações ou modificações, reparações ou manutenção incorretas ou não autorizadas, choques, acidentes ou colisão, ou outro uso anormal, excessivo ou indevido.

Esta garantia limitada dá ao consumidor direitos legais específicos. O consumidor poderá também ter outros direitos legais ao abrigo das leis nacionais aplicáveis que não são afetados por esta garantia limitada. Se for determinado por um tribunal com jurisdição competente que uma certa provisão desta garantia limitada não se aplica, tal determinação não deverá afetar quaisquer outras disposições desta garantia limitada, e todas as outras disposições deverão permanecer em efeito.

ESTA É A ÚNICA GARANTIA DADA PELA MARZOCCHI PARA OS SEUS PRODUTOS E COMPONENTES DE SUSPENSÕES, E NÃO HÁ GARANTIAS QUE SE ESTENDAM PARA ALÉM DA DESCRIÇÃO AQUI FEITA. QUAISQUER GARANTIAS QUE POSSAM DE OUTRO MODO SER IMPLÍCITAS POR LEI INCLUINDO, MAS SEM SE LIMITAR A, QUALQUER IMPLÍCITA GARANTIA DE COMERCIALIDADE OU ADEQUAÇÃO PARA UM PROPÓSITO EM PARTICULAR SÃO EXCLUÍDAS.

Esta garantia limitada será governada exclusivamente pelas leis do Estado da Califórnia.

Para perguntas relativas a esta garantia ou aos produtos Marzocchi, por favor contacte o Departamento de Atendimento ao Cliente nos EUA da Marzocchi, telefonando para 1-800-369-7469, ou visitando www.Marzocchi.com.

Quando fizer uma reclamação ao abrigo desta Garantia Limitada, ser-lhe-á solicitado que forneça a um Centro de Serviço de Assistência autorizado da Marzocchi:

1. O Produto (ou a peça afetada) e
2. Uma cópia da prova original de compra, que indique claramente o nome e endereço do vendedor, a data e local da compra, o número de peça do produto e, se for utilizado, um número de série. Se os produtos Marzocchi forem vendidos como parte de uma bicicleta completa, a marca, modelo e ano do modelo da bicicleta e o seu número de série deverão ser incluídos.

恭喜!

感谢您为自己的自行车选择 Marzocchi 避震产品。Marzocchi 避震产品由美国加州圣克鲁兹县业界最好的专家设计并测试。

请按照本用户手册中提供的指引和说明正确地设置、使用和保养您的新 Marzocchi 产品。

欲知更多信息和视频,请访问网站 www.Marzocchi.com, 致电 1.800.369.7469 联系 Marzocchi 美国公司,或在 www.Marzocchi.com 上联系 Marzocchi 国际授权维修中心。如果您无法访问互联网,则请联系 Marzocchi,为您的产品索取在线 Marzocchi 用户手册的免费纸质版。

警告和安全信息

Marzocchi 产品应由专业自行车维修技师遵照 Marzocchi 安装规范安装。前叉若安装不当,可能出现故障,导致骑行者失控并受到严重甚至致命的伤害。

改动或改装 Marzocchi 产品可能使其出现故障,并导致人员严重伤害甚至死亡。请勿改动或改装 Marzocchi 产品的任何零件。

Marzocchi 自行车避震器产品还可用在动力小于 250 瓦特的踏板辅助式机动自行车或机动车上。请勿将 Marzocchi 自行车避震器产品用在动力在 250 瓦特及以上的车辆上。

请勿将任何 Marzocchi 自行车避震器产品用在动力在 500 瓦特以上的任何踏板辅助式机动自行车或机动车上。请勿将任何 Marzocchi 自行车避震器产品用在任何配有风门的机动车上。

误用 Marzocchi 避震器产品可导致避震器出现故障,造成财产损失或人员严重受伤甚至死亡,且无法享受质保。

请勿将 Marzocchi 自行车避震产品用于任何可搭载两名以上操作者或骑行者的车辆上,如双人自行车或载重型自行车等。

不当维修或在 Marzocchi 避震器上安装非 Marzocchi 更换件可能导致产品出现故障,造成人员严重伤害甚至死亡。

切勿使用大功率清洗器清洁 Marzocchi 产品。

请按照刹车厂商的说明正确安装和调节刹车系统。如果未能正确安装和调节刹车,则可能导致自行车失控,并造成人员严重受伤甚至死亡。

若出现致使避震器任何部分产生折弯和 / 或断裂的情况,您的避震器可能出现故障。任何致使漏气和 / 或漏油的情况,例如撞车事故或长期未用等,也都可能导致您的避震器出现故障。避震器一旦被损坏和 / 或出现泄漏,则可能出现故障,导致撞车事故和人员严重受伤甚至死亡。如果您怀疑您的避震器已被损坏,则请立即停止骑行并联系 Marzocchi 进行检查和维修。

切勿尝试自行拆开、打开、拆解或维修处于“卡住”状态的 Marzocchi 避震器。“卡住”状态,是由于动态空气密封(位于避震器空气套筒中的正负气室之间)出现故障,导致负气室的压力大于正气室。若要测试避震器是否真的处于“卡住”状态,方法如下:

卸下气阀盖并按压美式嘴阀,完全释放避震器正气室中的气压。

如果正气室的气压释放后避震器体缩入空气套筒并接近底部,则连接压力泵,使避震器的气压保持在 250 psi (17 bar)。

如果避震器没有完全伸展,则避震器处于“卡住”状态。

任何尝试维修处于“卡住”状态的 Marzocchi 空气避震器的举措都可能导致严重伤害甚至死亡。请联系 Marzocchi 或授权维修中心进行维修。

后避震器安装

警告

不同自行车厂商的后避震器安装和设置存在很大的差异。请务必参阅您的自行车用户手册。Marzocchi 产品应由专业自行车维修技师遵照 Marzocchi 安装规范安装。后避震器若安装不当，可能出现故障，导致骑行者失控并导致人员严重受伤甚至死亡。

若您即将安装在自行车上的避震器不是该自行车的原装设备，请遵循下列步骤以确保在骑行前有适当的安全间隙。

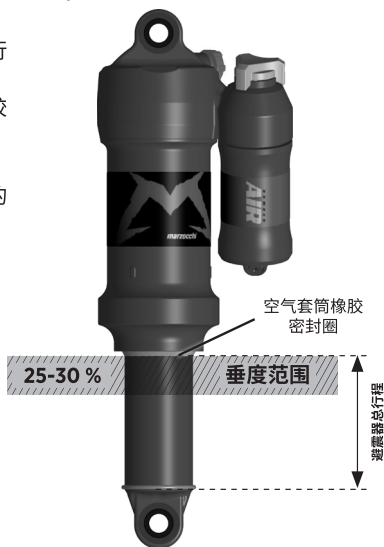
空气避震器

1. 遵照车架厂商的说明将避震器安装到车架上。
2. 卸下气阀盖，连接避震器打气筒，然后缓慢地将主气室内的所有空气释放出来。
3. 缓慢地按压避震器，直至其走完全部行程。
4. 确保避震器在整个行程的过程中均不会接触车架或连杆的任何部位。
5. 根据下列说明设置垂度。

垂度设置

为取得 Marzocchi 避震器的最佳避震性能，请调整气压以适当设置垂度。垂度是指在您体重和骑行装备重量的作用下避震器的压缩量。垂度范围应设置在避震器总行程的 25-30% 之间。

1. 将压缩调节旋钮完全逆时针转到开启位置。
2. 首先设置避震器气压 (psi)，使之与您的英制体重相匹配。将打气筒连接于避震器阀，达到所需的气压后缓慢地按压避震器 10 次至其行程的 25%。这将平衡正负气室的气压，并将改变打气筒压力计的读数。
3. 请勿超过最高气压：BOMBER AIR 避震器的最大气压为 350 psi。
4. 取下打气筒。
5. 借助墙或树的支撑，以您平时的骑行姿势静坐在自行车上。
6. 向上拉动垂度 O 型圈指示器，使之触抵空气套筒橡胶密封圈。
7. 小心地下车（请勿跳下车）。
8. 测量垂度 O 型圈指示器与空气套筒橡胶密封圈之间的距离。将您的测量值与“建议的垂度值”表相对照。
9. 增加或减少气压，直至达到所需的垂度值。



建议的垂度值		
行程	25% 垂度 (硬)	30% 垂度 (软)
45 mm (1.7 in)	11.25 mm (0.44 in)	13.5 mm (0.53 in)
55 mm (2.16 in)	13.75 mm (0.54 in)	16.5 mm (0.65 in)
65 mm (2.56 in)	16.25 mm (0.64 in)	19.5 mm (0.77 in)
75 mm (2.95 in)	18.75 mm (0.74 in)	22.5 mm (0.88 in)



请勿超过最大气压：

BOMBER AIR 的最大气压为 **350 psi**。

空气套筒

增加气压

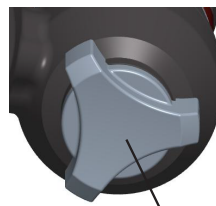
每次加压 3.4 bar (50 psi) 后缓慢地按压避震器 10-20 次至其行程的 25%，从而平衡正负气室。未平衡气室可能导致正气室的压力大于负气室。若觉得避震器很硬并且避震器处于触顶位置，则按压避震器直至听到或感觉到空气转移。将避震器保持在此等压缩位置数秒钟。

释放气压

缓慢地释放空气，以便负气室的空气也能通过美式嘴阀释放。过快地释放气压可能导致负气室的压力大于正气室。如果避震器在受按压进入行程后无法完全伸展，则请对避震器加压直至其伸展，然后缓慢地按压避震器 10-20 次至其行程的 25%。

压缩调节

低速压缩调节旋钮可调节低速压缩阻尼。顺时针转动旋钮可增大压缩阻尼，逆时针转动旋钮可减小压缩阻尼。首先将压缩调节旋钮完全逆时针转动到开启位置。

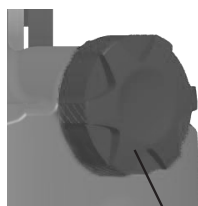


低速压缩调节旋钮

回弹调节

回弹调节取决于空气压力的设置。例如，空气压力越高，则要求回弹越慢。根据空气压力确定对应的回弹设置。顺时针旋转回弹旋钮到关闭位置，直至旋不动。然后逆时针旋转到下表中显示的刻度。

回弹	
气压 (bar)	开始回弹设置
<6.9	10
6.9-8.3	10
8.3-9.6	9
9.6-11.0	8
11.0-12.4	7
12.4-13.8	6
13.8-15.2	5
15.2-16.5	4
16.5-17.9	3
17.9-19.3	2
19.3-20.7	1



回弹调节旋钮

其它调节方式

容量垫片

更换避震器中的容量垫片是一项内部调节，能改变中程和触底阻力。如果您已设定合适的垂度并且很容易达到全行程（触底），则您可以安装 1 个较大垫片以增加触底阻力。如果您已正确设置垂度并且未达到全行程，则您可安装 1 个较小垫片以减少触底阻力。

安装程序和调节方式详见：marzocchi.com。

保养

除定期保养服务外，在骑行间隙适当清洁您的 Marzocchi 产品有助于节省维修费用并延长产品寿命。

如需进一步了解保养步骤方面的信息，请访问 www.Marzocchi.com，或与 Marzocchi US 联系以获取全面的保养服务 (1.800.369.7469)。

建议的基本保养项目	每次骑行前	每次骑行后	定期	每 125 小时骑行或每满一年，以先发生的为准 *
检查避震器的整个外部。若任何外部零部件有损坏迹象，则避震器不能继续使用。请与您当地的经销商或 Marzocchi 联系维修事宜。	X			
仅用温和的肥皂和水清洁外表面，并用柔软的毛巾擦干。请勿使用高压清洗器或直接向密封圈 / 避震器身结合处喷水。		X		
检查垂度和阻尼器设置。检查控件是否有肉眼可见的损坏或功能失常。			X	
全面保养（全面内部 / 外部检查、阻尼器重新组装）。				X

* 对于那些进行高山速降骑行、山地车公园骑行、或极限自由骑行，或在极度潮湿 / 泥泞或干燥 / 多尘环境中骑行且在路途中有尘土溅喷到避震器上的骑行者，Marzocchi 鼓励其根据实际需要在前述推荐日期前提早进行保养。若您听到、看到或感觉到异常情形，请立即停止骑行并与 Marzocchi 授权维修中心联系以进行适当的保养。

更多信息和视频见：

www.Marzocchi.com

Marzocchi 对其避震产品提供以下有限质保：

MARZOCCHI 有限质保

避震器产品一 (1) 年有限质保

受限于本质保所含限制、条款与条件，Marzocchi 向每一新的 Marzocchi 避震产品的最初零售购买者（消费者）保证，Marzocchi 新避震产品在材质和工艺上无瑕疵。除非法律另有规定，本质保有效期为 Marzocchi 原避震产品从 Marzocchi 授权经销商或授权原始设备生产商处（Marzocchi 避震产品作为原始设备配在所购车辆上）零售购买之日起一（1）年。

质保条款

本质保的前提是 Marzocchi 避震产品在正常条件下工作并按照 Marzocchi 的说明适当维护。本质保仅适用于从 Marzocchi 授权资源处新购的 Marzocchi 避震产品，仅向 Marzocchi 新避震产品的最初零售购买者（消费者）提供，不得向后续用户转让。

如 Marzocchi 根据其唯一的、最终的自由裁量确定一项 Marzocchi 避震产品在本质保范围内，则该产品将由 Marzocchi 全权选择用相当型号的配件修理或更换，这一选择将是最终的、约束性的。这是本有限质保项下的排他性救济。本有限质保项下的任何和其他可能适用的救济和损害赔偿均在此排除，包括但不限于偶然性或后果性的损害赔偿或惩罚性赔偿。

本有限质保不适用于正常磨损以及因滥用、过失、不当安装、更改或改装、不当或未经授权的修理或保养、撞车、事故或碰撞或其他非正常、过度或不当使用而导致的故障或功能失常。

本有限质保给予消费者特定的法定权利。消费者根据适用的全国性法律可能享有的其他法定权利不受本有限质保的影响。如果具有管辖权的法院裁定本有限质保的特定条款不适用，则此裁定不应影响本有限质保的任何其他条款，且所有其他条款应仍为有效。

这是 Marzocchi 对其避震产品和元件做的唯一保证，在本说明之外无任何其他延伸的保证。法律可能默示的任何其他保证，包括但不限于关于适销性或特定目的的适用性的默示保证，均在此排除。

本有限质保应排他性地由加利福尼亚州的法律进行管辖。

如果对本质保或 Marzocchi 产品有任何疑问，请致电 1-800-369-7469 联系 Marzocchi 美国客服部门，或访问 www.Marzocchi.com。

根据本有限质保提出索赔时，您需要向 Marzocchi 授权维修中心出具：

1. 产品（或受影响零部件），及
2. 原始购买凭证的复印件，清楚标明卖方的名称和地址、购买日期和地点、产品零部件号以及序列号（如果使用了的话）。如果 Marzocchi 产品作为完整自行车的一部分出售，则应包括自行车品牌、型号、型号年份和序列号。

Marzocchi 是 FOX Factory, Inc 持有的品牌。

This page is intentionally left blank.



marzocchi



marzocchi

©FOX FACTORY, INC. 2021 // 1.800.FOX.SHOX
915 DISC DRIVE SCOTTS VALLEY, CA 95066 USA
TEL: 831.768.1100

605-00-269 REV A

MARZOCCHI.COM