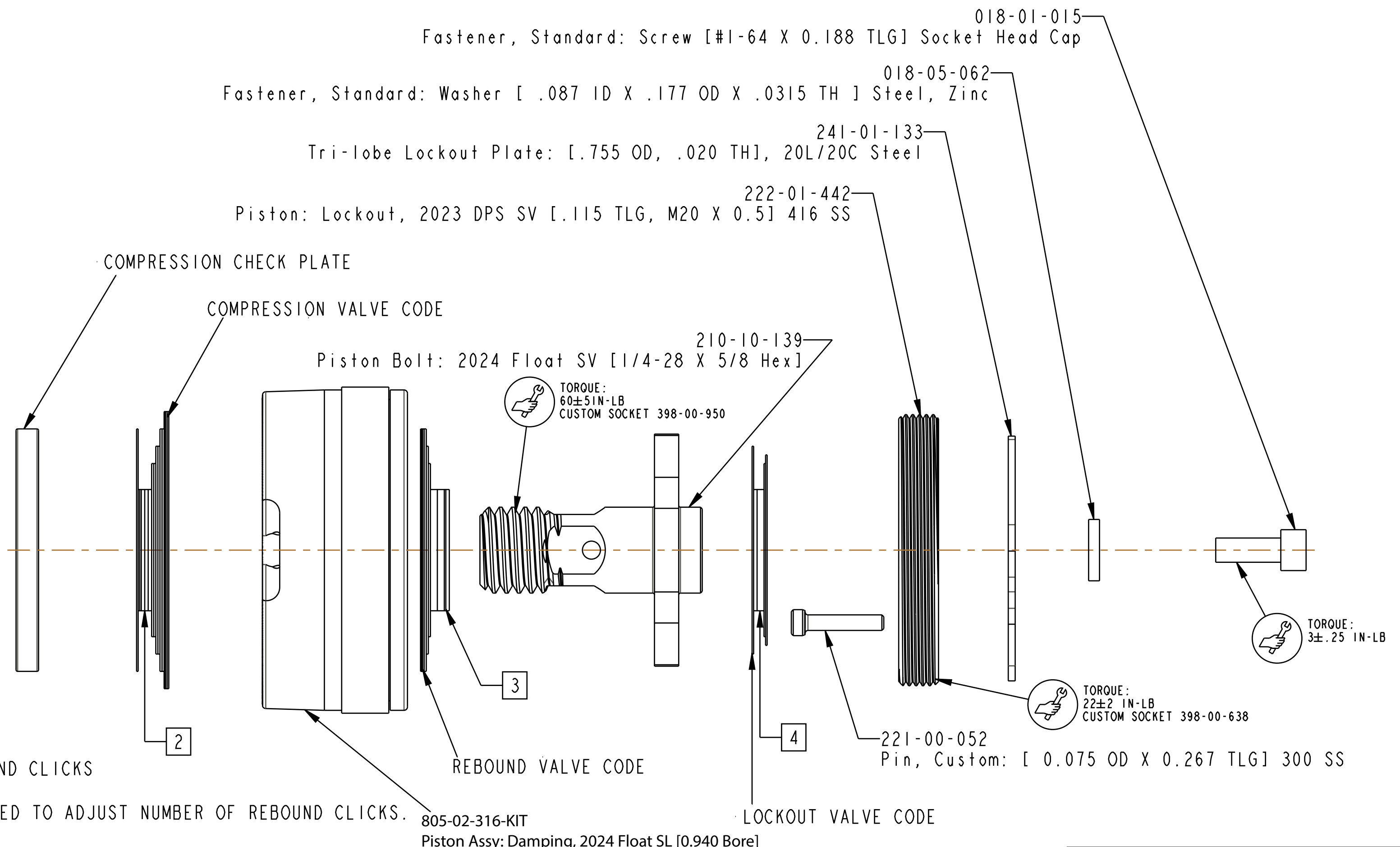


.030 - .047
[0,77 - 1,19]
PLATE LIFT FROM CLOSED TO MIDDLE POSITION
WHEN LSC ADJUSTER IN POSITION 2

.072 - .090
[1,83 - 2,29]
PLATE LIFT FROM CLOSED TO OPEN POSITIONS, ALL CABLE REMOTES
WHEN LSC ADJUSTER IN POSITION 2



NOTES: (UNLESS OTHERWISE SPECIFIED)

1. SHOCK SHOULD HAVE 12-15 REBOUND CLICKS
- 2 SPACERS MAY BE ADDED OR REMOVED TO ADJUST NUMBER OF REBOUND CLICKS.
- 3 SPACERS MAY BE ADDED OR REMOVED TO ADJUST NUMBER OF REBOUND CLICKS.
- 4 SPACERS MAY BE ADDED OR REMOVED TO ADJUST LOCKOUT PLATE LIFT.
5. REFER TO INDIVIDUAL COMPRESSION, REBOUND, OR LOCKOUT VALVE CODE ASSEMBLY DRAWING FOR SPACER DETAILS AND TOTAL STACK HEIGHT MEASUREMENT.

PROPRIETARY -
THIS DOCUMENT CONTAINS CONFIDENTIAL, PROPRIETARY INFORMATION
THAT IS FOX PROPERTY. DO NOT DISCLOSE TO OR DUPLICATE
FOR OTHERS EXCEPT AS AUTHORIZED BY FOX.

FOX Factory, Inc. 130 Hangar Way, Watsonville, CA 95076 USA Ph 831-768-1100 Fax 831-768-9312	
TITLE	Assy DWG: 2024 Float SL, Valving [.940 Bore]
SIZE	DWG. NO. 807-06-412-KIT
PLOT SCALE	4:1
SHEET 1 OF 1	