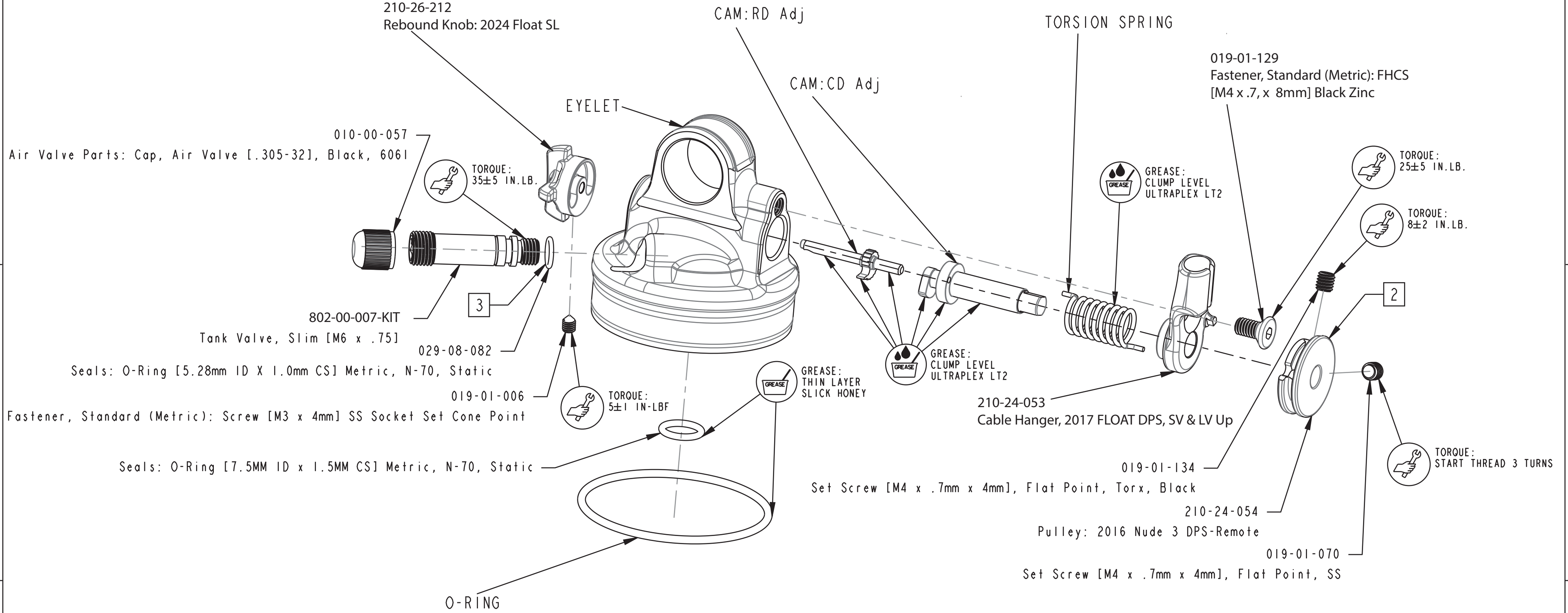
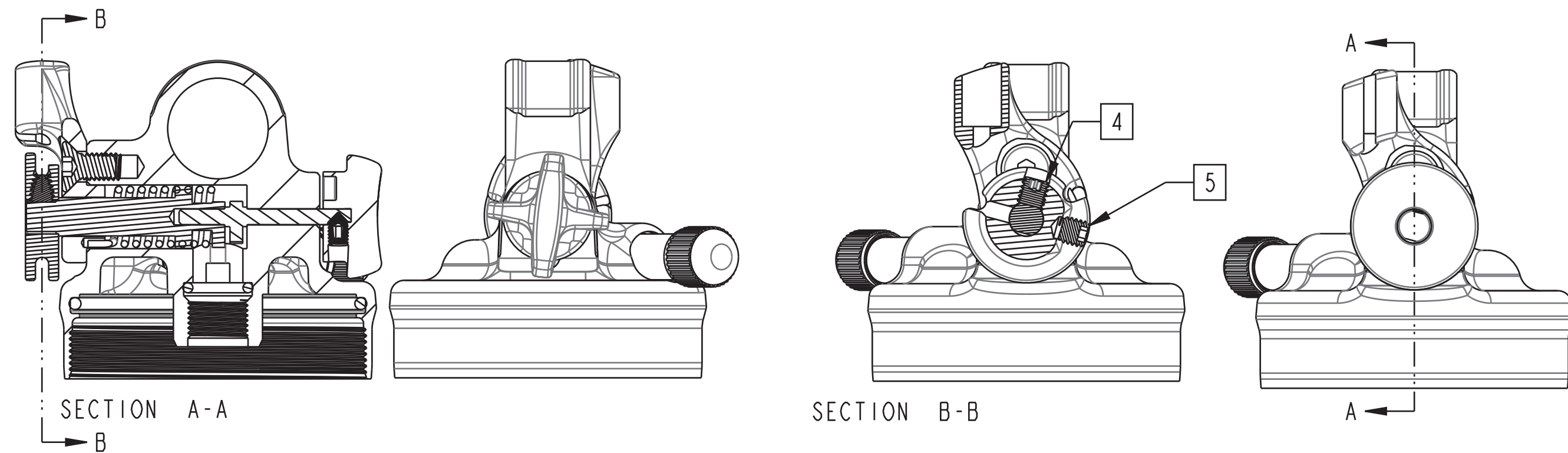


4

3

2

1



- NOTES:
1. MATERIAL SEQUENCE NUMBERS START WITH 808-17 EYELET ASSY.
 2. PULLEY TO BE FULLY SEATED AGAINST COMPRESSION CAM FLANGE.
 3. APPLY THIN LAYER SLICK HONEY TO INSTALL ON AIR VALVE. APPLY THIN LAYER FLOAT FLUID ON INSTALLED AIR VALVE O-RING PRIOR TO AIR VALVE INSTALLATION.
 4. BLACK TORX SET SCREW FIXES PULLEY TO CAM.
 5. STAINLESS HEX SET SCREW FIXES CABLE TO PULLEY.

- PROPRIETARY -
THIS DOCUMENT CONTAINS CONFIDENTIAL, PROPRIETARY INFORMATION
THAT IS FOX PROPERTY. DO NOT DISCLOSE TO OR DUPLICATE
FOR OTHERS EXCEPT AS AUTHORIZED BY FOX.

FOX FOX Factory, Inc. Ph 831-768-1100
130 Hangor Way, Watsonville, CA 95076 USA Fax 831-768-9312

TITLE Eyelet Assy: 2024 Float SL, PTL, Remote Up, Reb Reverse

SIZE DWG. NO. C 808-17-549-KIT

PLOT SCALE 1.5:1 SHEET 1 OF 1

4

3

2

ProE ASSEM