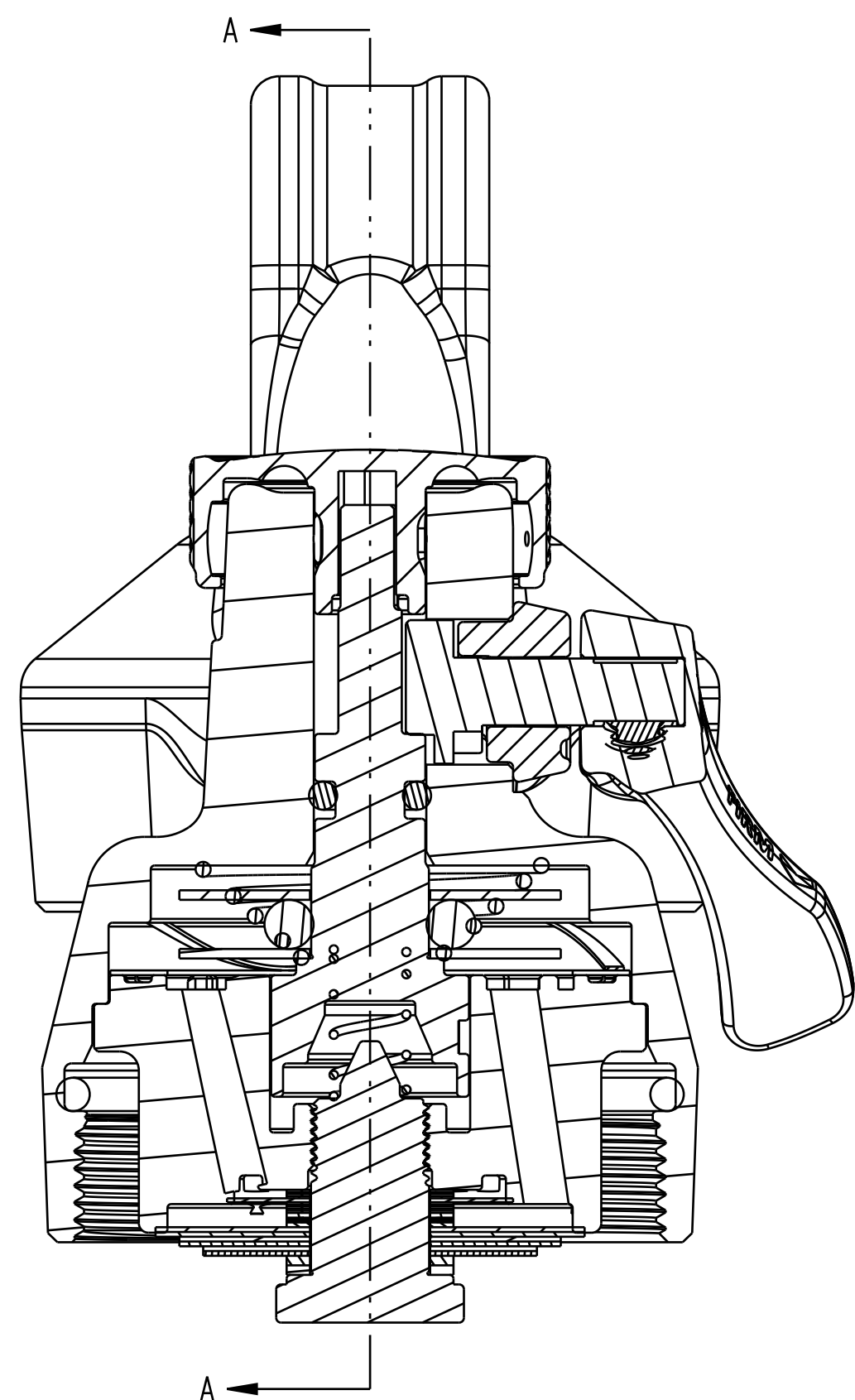


SECTION A-A

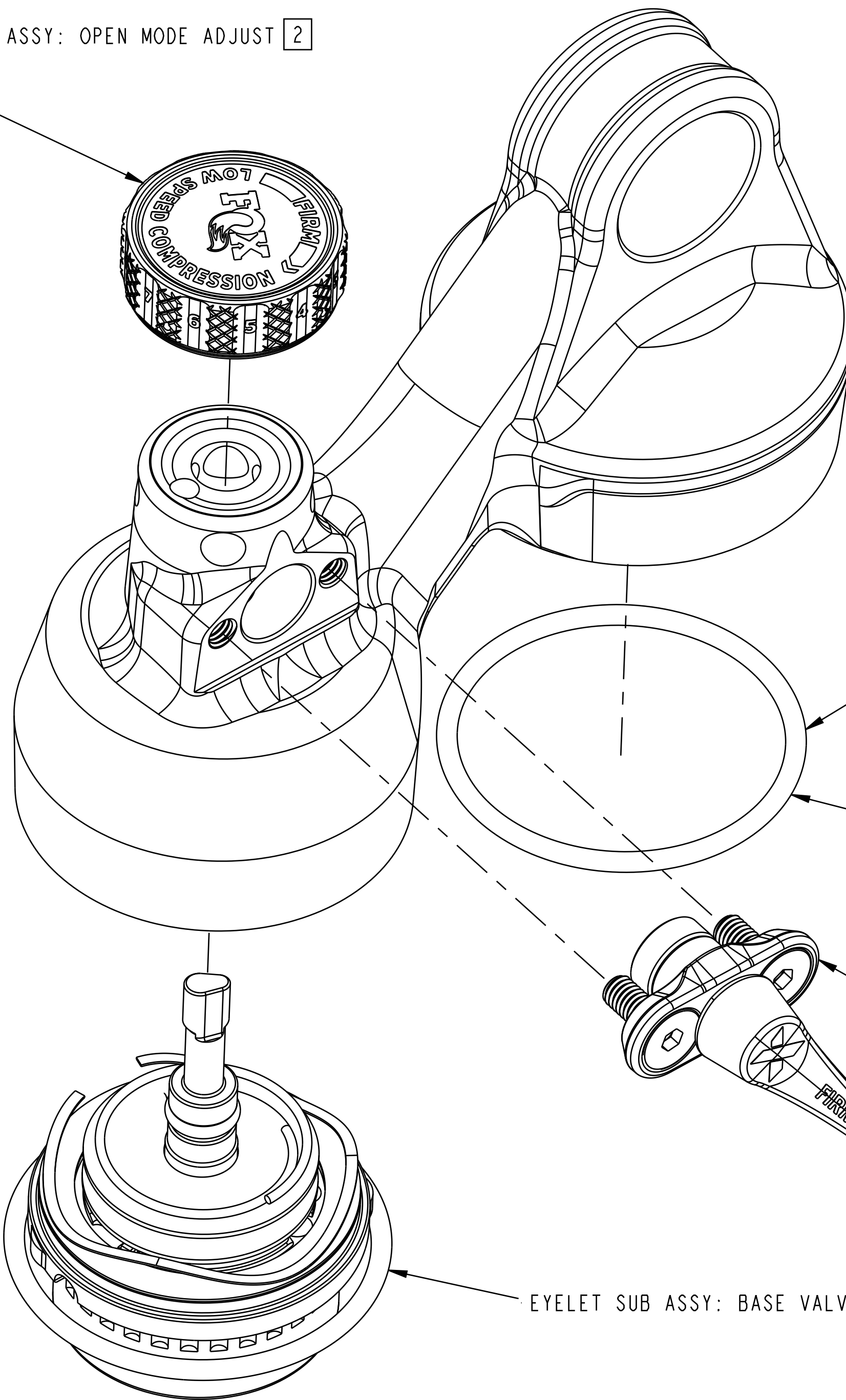


SECTION B-B

EYELET SUB ASSY: OPEN MODE ADJUST [2]



EYELET, BODY END



GREASE:
THIN LAYER
OF SLICK HONEY

O-Ring (-024) [.070 C.S. X 1.114 ID]

EYELET SUB ASSY: FIRM MODE ADJUST [2]

EYELET SUB ASSY: BASE VALVE [2]

[2] SUBASSEMBLIES MAY VARY FROM APPEARANCE SHOWN. SEE SUBASSEMBLY DRAWING FOR DETAILED ASSEMBLY INSTRUCTIONS.

FOX FOX Factory, Inc. Ph 831-768-1100
130 Hangar Way, Watsonville, CA 95076 USA Fax 831-768-9312

2022 DHX Body Eyelet Assys

SIZE DWG. NO. D
PLOT SCALE 3:1 SHEET 1 OF 1

PROPRIETARY - THIS DOCUMENT CONTAINS CONFIDENTIAL, PROPRIETARY INFORMATION THAT IS FOR PROPERTY. DO NOT DISCLOSE TO OR DUPLICATE FOR OTHERS EXCEPT AS AUTHORIZED BY FOX.