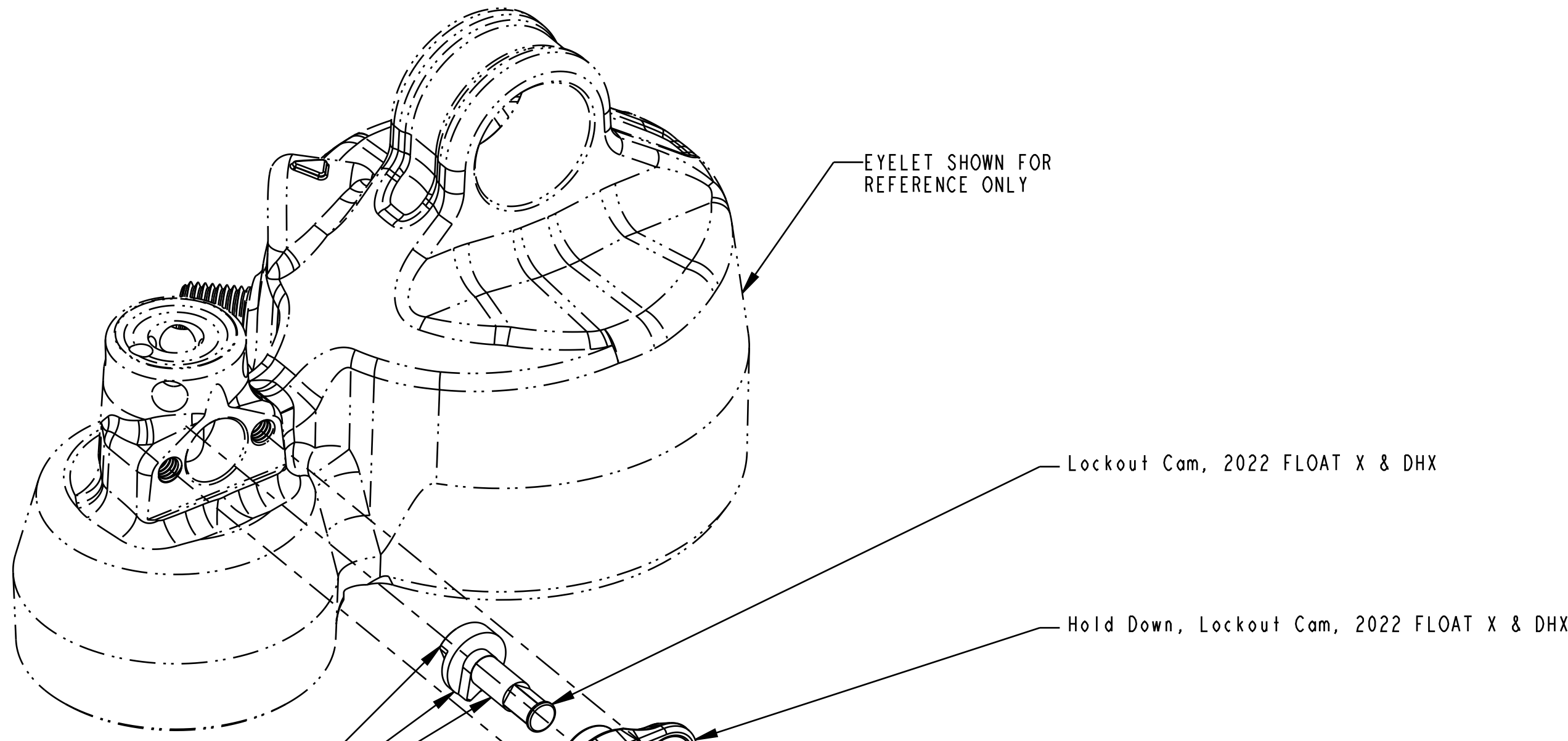


4

3

2

1



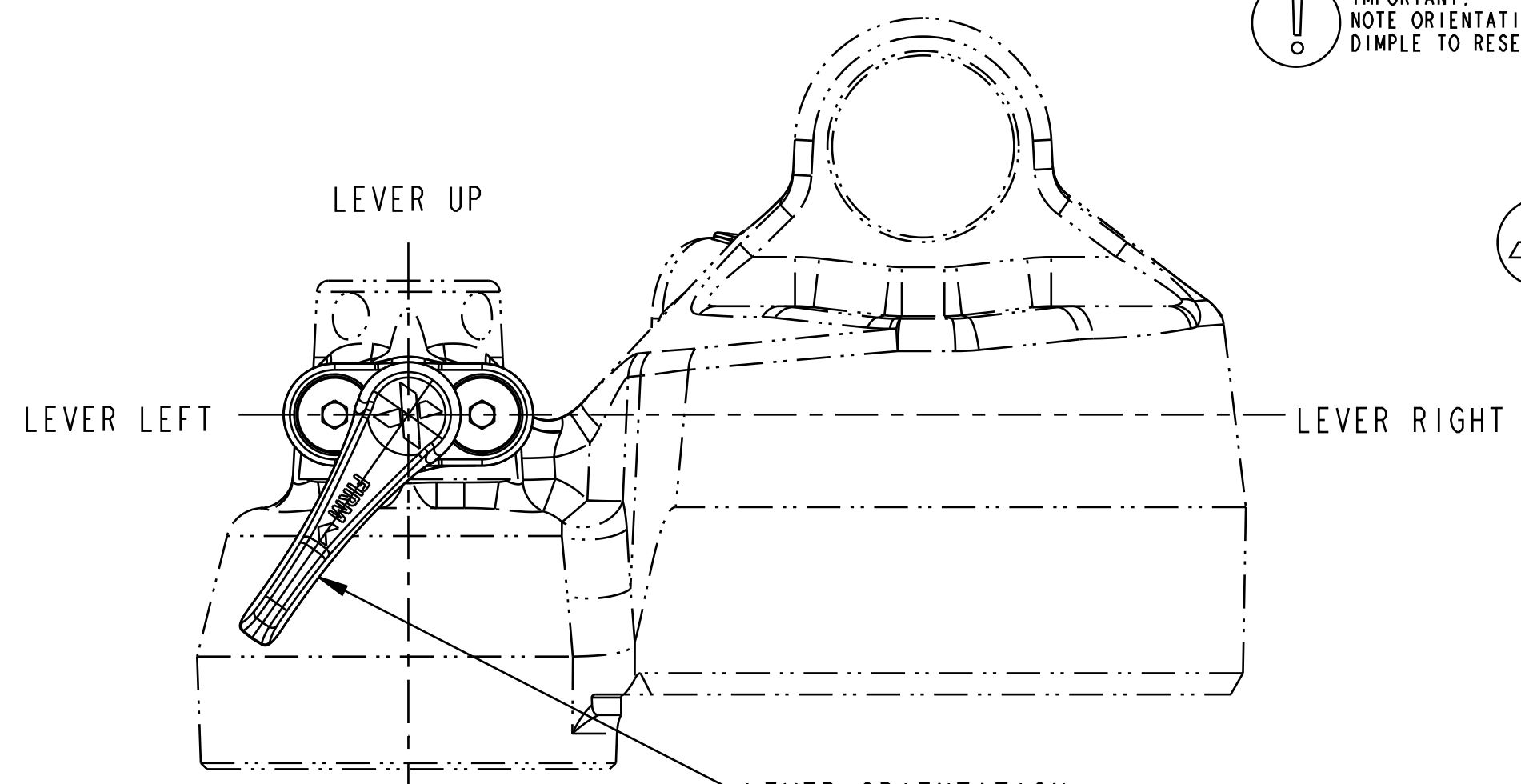
GREASE:
THICK LAYER OF
ULTRAPLEX LT2

IMPORTANT:
NOTE ORIENTATION OF
DIMPLE TO RESERVOIR

TORQUE:
11±3 IN.LB.

TORQUE:
8±2 IN-LBF

Set Screw [M4 x .7mm x 4mm] Flat Point, Torx, Black,



PROPRIETARY
THIS DOCUMENT CONTAINS CONFIDENTIAL, PROPRIETARY INFORMATION
THAT IS FOX PROPERTY. DO NOT DISCLOSE TO OR DUPLICATE
FOR OTHERS EXCEPT AS AUTHORIZED BY FOX.

FOX		FOX Factory, Inc.	Ph 831-768-1100
		130 Hangar Way, Watsonville, CA 95076 USA	Fax 831-768-9312
TITLE Eyelet Sub Assy: Lever, 2pos, 2022 FLOAT X & DHX			
SIZE C	DWG. NO. 808-17-472-KIT		
PLOT SCALE 2:1		SHEET 1 OF 1	