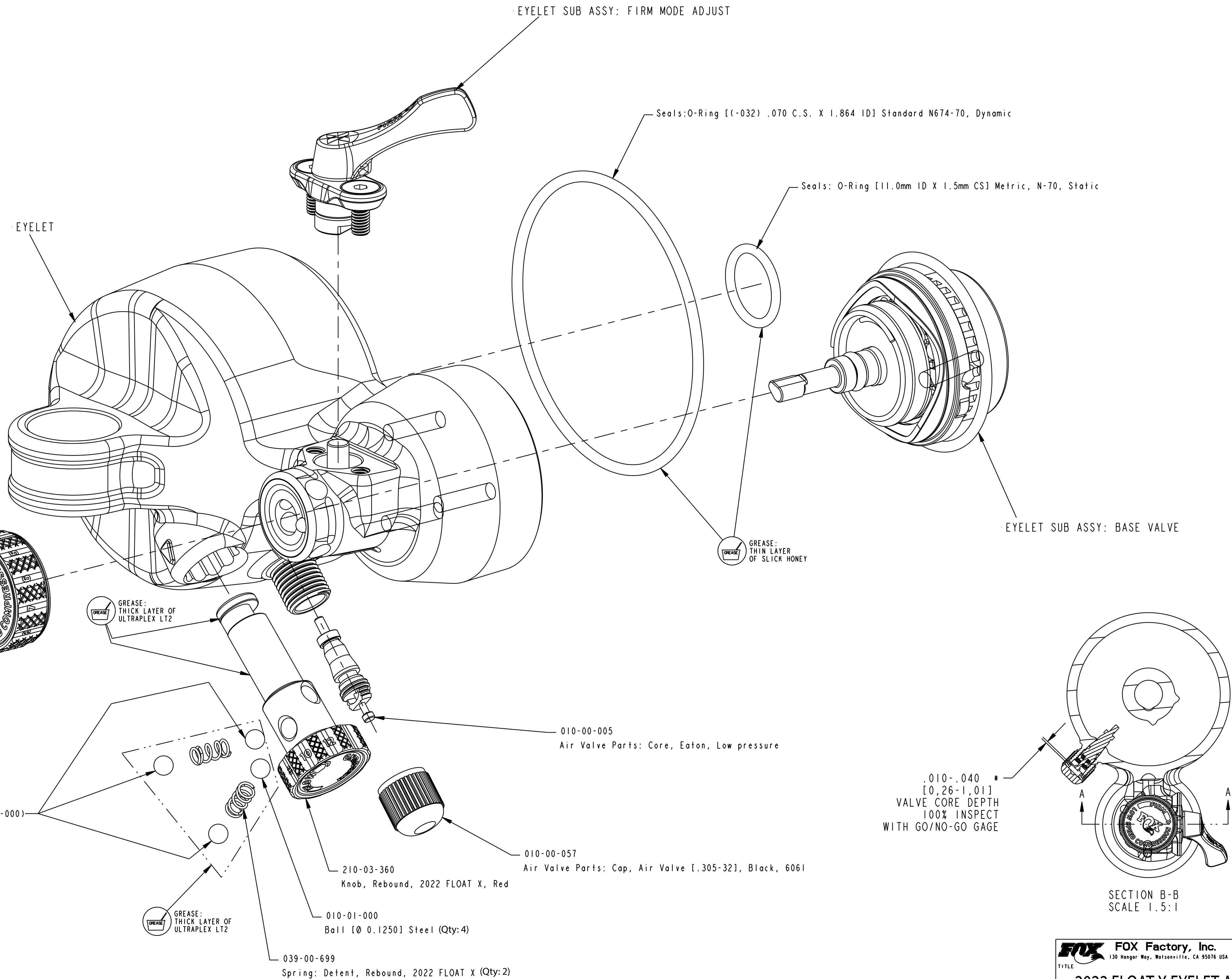


SECTION A-A



EYELET SUB ASSY: FIRM MODE ADJUST

Seals: O-Ring [(1-032) .070 C.S. X 1.864 ID] Standard N674-70, Dynamic

Seals: O-Ring [11.0mm ID X 1.5mm CS] Metric, N-70, Static

EYELET

EYELET SUB ASSY: BASE VALVE

GREASE:
THIN LAYER
OF SLICK HONEY

GREASE:
THICK LAYER OF
ULTRAPLEX LT2

EYELET SUB ASSY: OPEN MODE ADJUST

010-00-005
Air Valve Parts: Core, Eaton, Low pressure

.010-.040 *
[0,26-1,01]
VALVE CORE DEPTH
100% INSPECT
WITH GO/NO-GO GAGE

(010-01-000)

210-03-360
Knob, Rebound, 2022 FLOAT X, Red

010-00-057
Air Valve Parts: Cap, Air Valve [1.305-32], Black, 6061

GREASE:
THICK LAYER OF
ULTRAPLEX LT2

010-01-000
Ball [Ø 0.1250] Steel (Qty:4)

039-00-699
Spring: Detent, Rebound, 2022 FLOAT X (Qty:2)

SECTION B-B
SCALE 1.5:1

SUBASSEMBLIES MAY VARY FROM APPEARANCE SHOWN.

PROPRIETARY - THIS DOCUMENT CONTAINS CONFIDENTIAL, PROPRIETARY INFORMATION THAT IS FOR PROPERTY. DO NOT DISCLOSE TO OR DUPLICATE FOR OTHERS EXCEPT AS AUTHORIZED BY FOX.

FOX FOX Factory, Inc. Ph 831-768-1100
130 Hangar Way, Watsonville, CA 95076 USA Fax 831-768-9312

TITLE
2022 FLOAT X EYELET ASSYS

SIZE DWG. NO.
D
PLOT SCALE 3:1 SHEET 1 OF 1