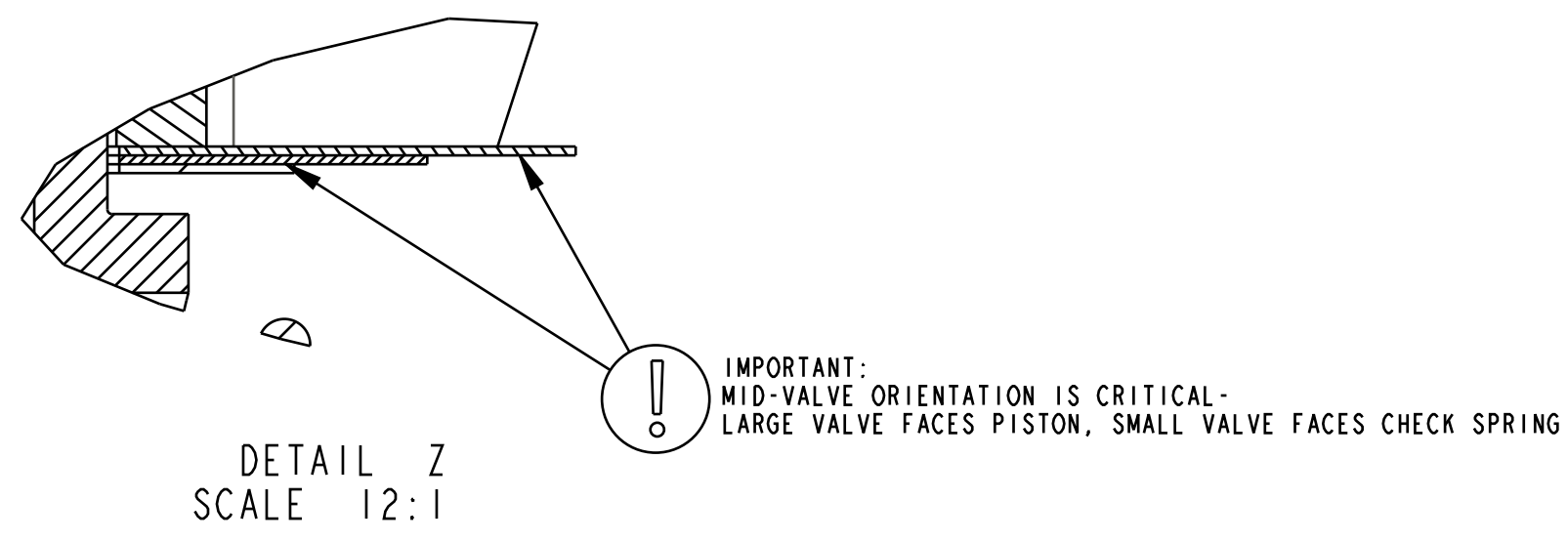
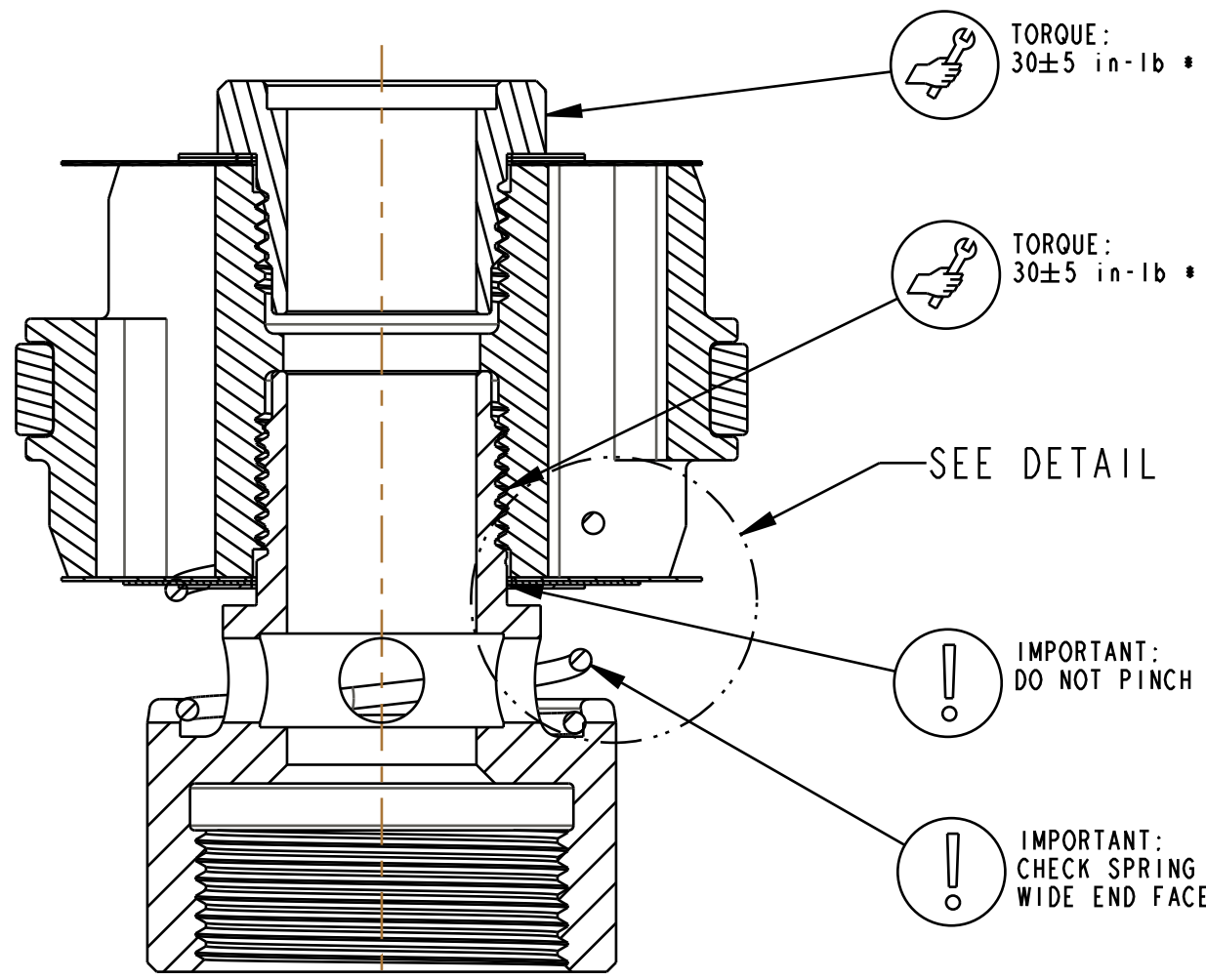


4

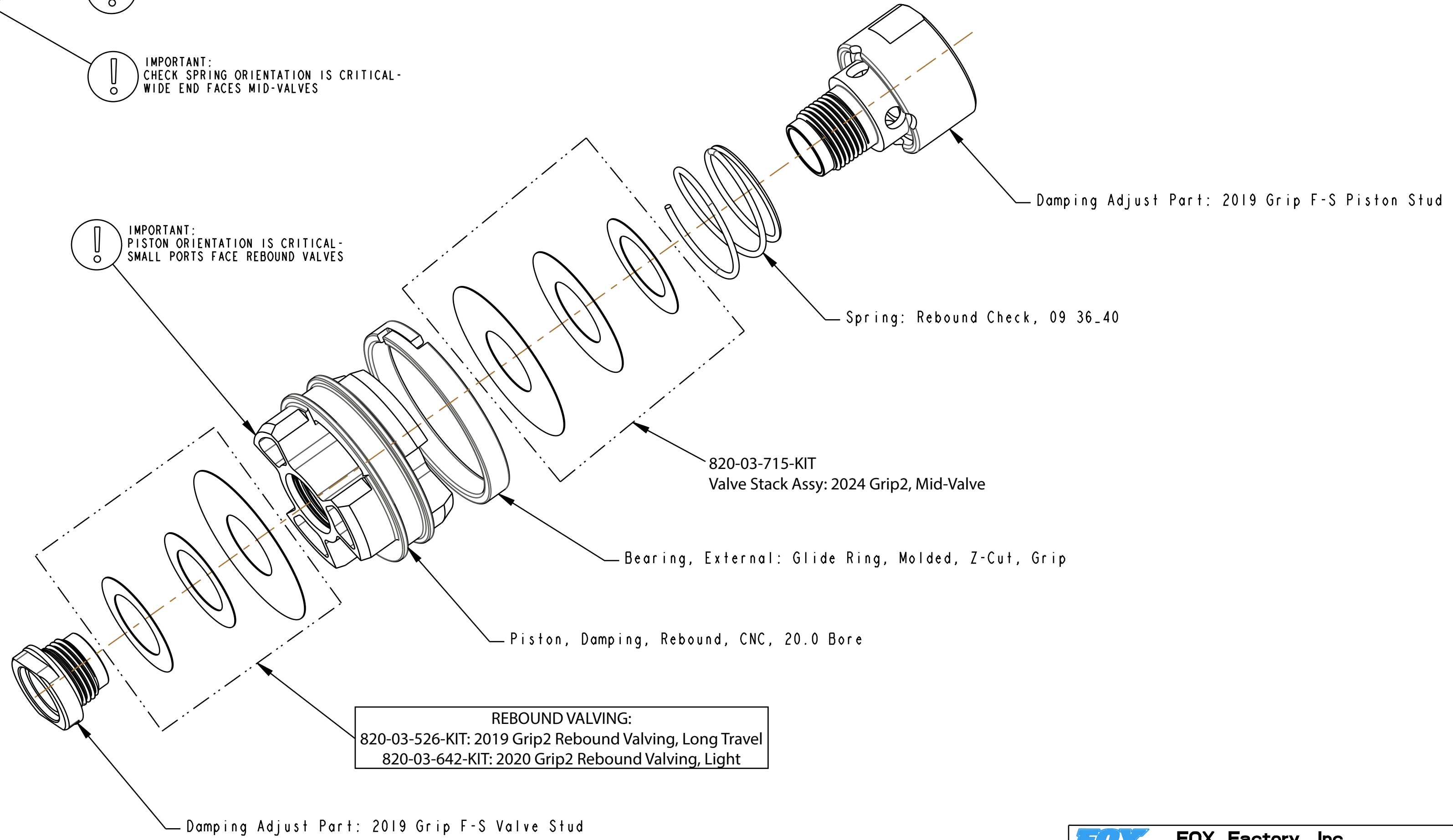
3

2

1



SECTION A-A  
SCALE 5:1



REBOUND VALVING:  
820-03-526-KIT: 2019 Grip2 Rebound Valving, Long Travel  
820-03-642-KIT: 2020 Grip2 Rebound Valving, Light

<b>FOX</b> <b>FOX Factory, Inc.</b>		Ph 831-768-1100
130 Hangar Way, Watsonville, CA 95076 USA		Fax 831-768-9312
TITLE <b>2024 GRIP2 VVC HSR/LSR REBOUND PISTON ASSEMBLIES</b>		
SIZE <b>C</b>	DWG. NO.	
PLOT SCALE	3:1	SHEET 1 OF 1

PROPRIETARY - THIS DOCUMENT CONTAINS CONFIDENTIAL, PROPRIETARY INFORMATION THAT IS FOX PROPERTY. DO NOT DISCLOSE TO OR DUPLICATE FOR OTHERS EXCEPT AS AUTHORIZED BY FOX.

4

3

2

ProE ASSEM