

4

3

2

1

D

D

C

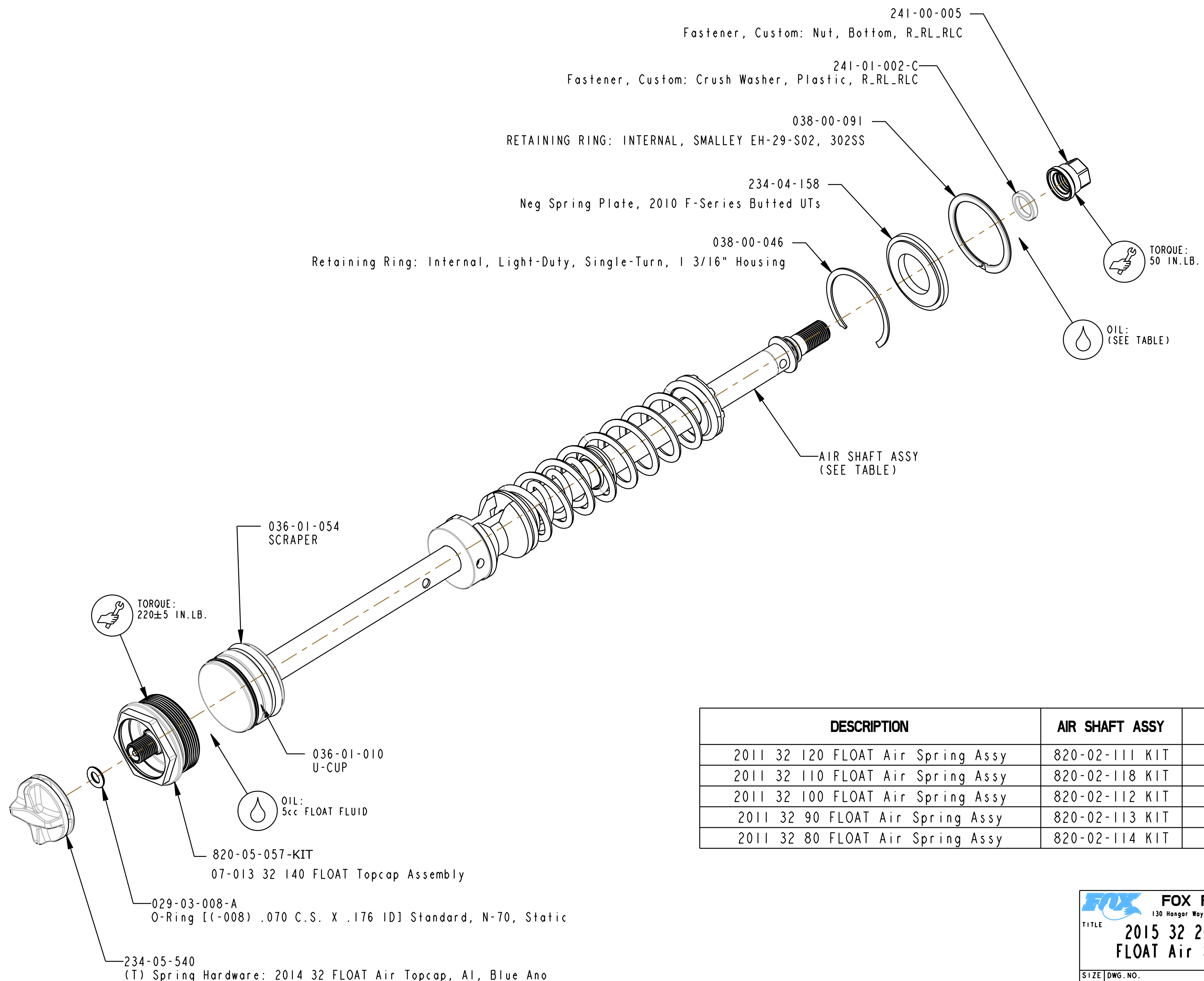
C

B

B

A

A



DESCRIPTION	AIR SHAFT ASSY	20wt. GOLD Bath Oil Volume
2011 32 120 FLOAT Air Spring Assy	820-02-111 KIT	30cc
2011 32 110 FLOAT Air Spring Assy	820-02-118 KIT	30cc
2011 32 100 FLOAT Air Spring Assy	820-02-112 KIT	20cc
2011 32 90 FLOAT Air Spring Assy	820-02-113 KIT	20cc
2011 32 80 FLOAT Air Spring Assy	820-02-114 KIT	20cc

PROPRIETARY - THIS DOCUMENT CONTAINS CONFIDENTIAL, PROPRIETARY INFORMATION THAT IS FOX PROPERTY. DO NOT DISCLOSE TO OR DUPLICATE FOR OTHERS EXCEPT AS AUTHORIZED BY FOX.

FOX Factory, Inc.
 130 Hangar Way, Watsonville, CA 95076 USA
 Ph 831-768-1100 Fax 831-768-9312

TITLE
**2015 32 26/27.5 80-120mm
 FLOAT Air Spring Assemblies**

SIZE DWG. NO.
C

PLOT SCALE | .00:1 | SHEET | OF |

4

3

2

1

ProE ASSEM