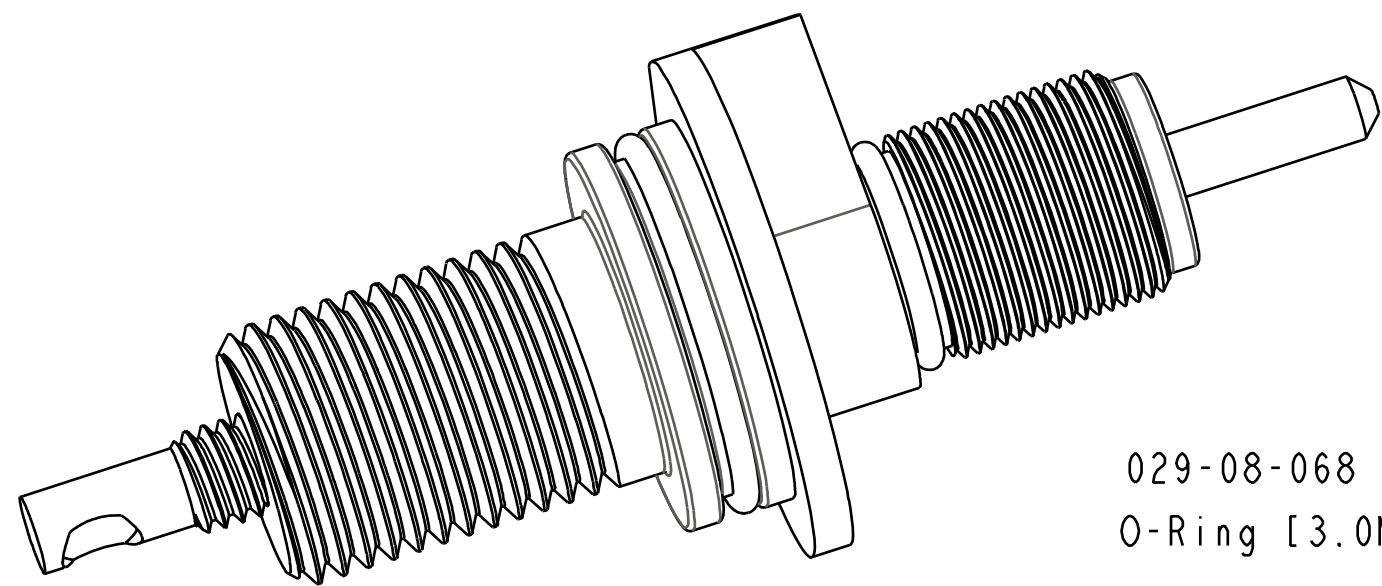


4

3

2

1



210-22-424
Damp Adj Part: Screw, Rebound Adjust, 010 RL_RLC

029-08-068
O-Ring [3.0MM ID x 1.5MM CS]

029-08-004
O-Ring [3MM ID x 1MM C.S.]

029-08-029
O-Ring [7.0MM ID x 1.0MM CS]

210-22-423
Lower Damper Shaft Insert, 010 RL_RLC

GREASE:
THIN LAYER
OF SLICK HONEY

GREASE:
THIN LAYER
OF SLICK HONEY

GREASE:
THIN LAYER
OF SLICK HONEY

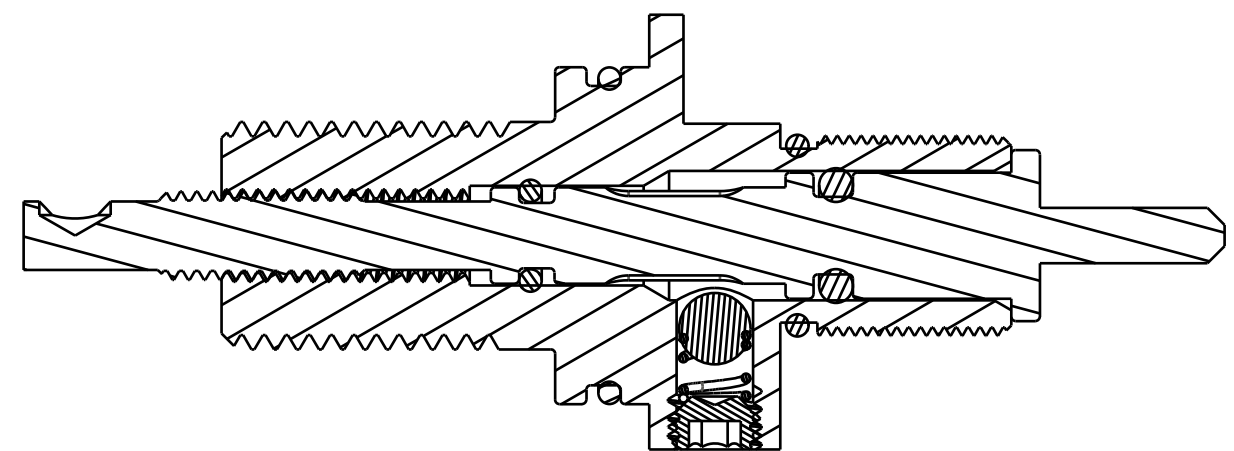
039-00-029
Spring: [0.125 TLG X 0.125 OD X 50.00 lbs/in]

029-08-047
O-Ring [13.0MM ID x 1.0MM CS]

010-01-000
Ball [Ø 0.1250] Steel

018-01-006
Screw, Set [#8-32 X .093 L] Cup Pt, Nylok

TIGHTEN UNTIL FLUSH



SECTION A-A

PROPRIETARY
THIS DOCUMENT CONTAINS CONFIDENTIAL, PROPRIETARY INFORMATION
THAT IS FOX PROPERTY. DO NOT DISCLOSE TO OR DUPLICATE
FOR OTHERS EXCEPT AS AUTHORIZED BY FOX.

		FOX Factory, Inc.		Ph 831-768-1100
		130 Hangar Way, Watsonville, CA 95076 USA		Fax 831-768-9312
TITLE				
2011 RC2				
REBOUND ADJUSTER ASSEMBLY				
SIZE	DWG. NO.	820-03-167-KIT		
C				
PLOT SCALE	3:1	SHEET 1 OF 1		