

4

3

2

1

D

D

C

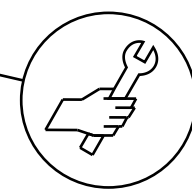
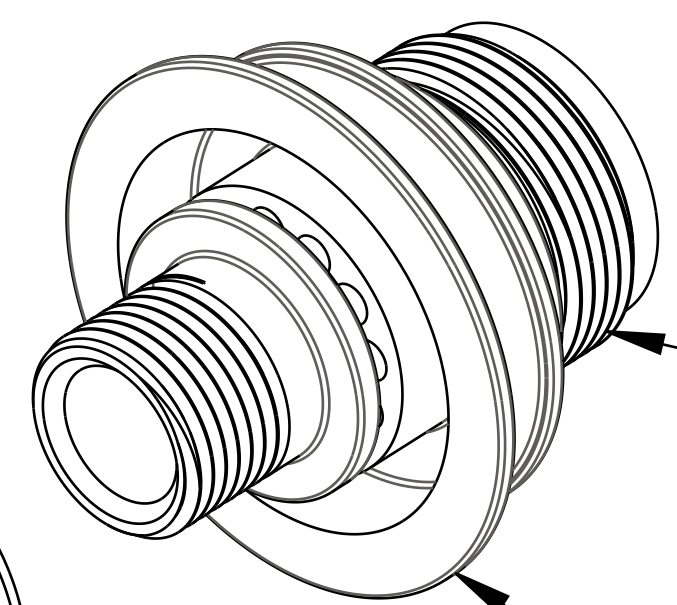
C

B

B

A

A



TORQUE:
75±5 IN.LB.

210-22-589
Coupler, 2013 CTD, F/P

040-20-062
Valve: [0.625 OD X 0.377 ID X 0.020 TH]

(040-04-070)

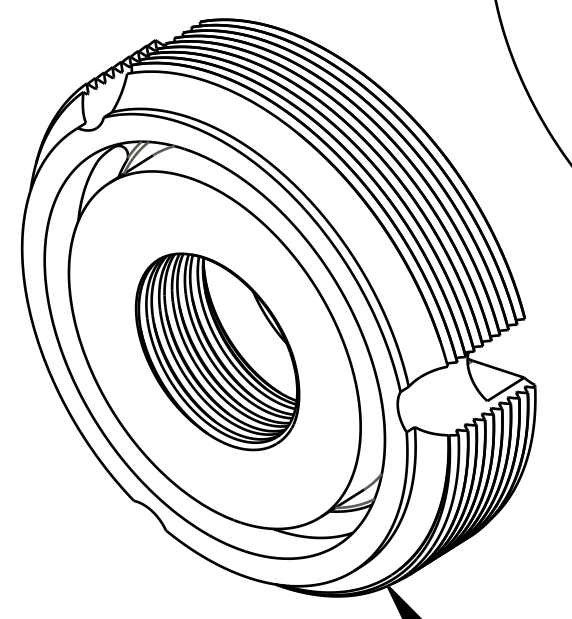
040-04-080
Valve: [.800 OD X .377 ID X .004 TH]

040-04-070
Valve: [.700 OD X .377 ID X .004 TH]

043-12-080
RING SHIM [.800 OD X .710 ID X .012 TH]

040-08-090
Valve: [.900 OD X 0.377 ID X 0.008 TH]

222-01-241
Compression Piston, Flat, 2014 FIT CTD



PROPRIETARY
THIS DOCUMENT CONTAINS CONFIDENTIAL, PROPRIETARY INFORMATION
THAT IS FOX PROPERTY. DO NOT DISCLOSE TO OR DUPLICATE
FOR OTHERS EXCEPT AS AUTHORIZED BY FOX.

		FOX Factory, Inc.	Ph 831-768-1100
		130 Hangar Way, Watsonville, CA 95076 USA	Fax 831-768-9312
TITLE			
2015 34 And 32 Compression Valve Stack, CTD F/P, .008" Preload			
SIZE		DWG. NO.	
C		820-03-341-KIT	
PLOT SCALE 2.00:1		SHEET 1 OF 1	

4

3

2

ProE ASSEM