

4

3

2

1

003-00-009
 Bearing: Internal [0.394 ID X 0.197 TLG X 0.040 WTH, 10mm Shaft] Ekonol/AL

234-04-718
 Neg Plate, FLOAT NA 2, 40

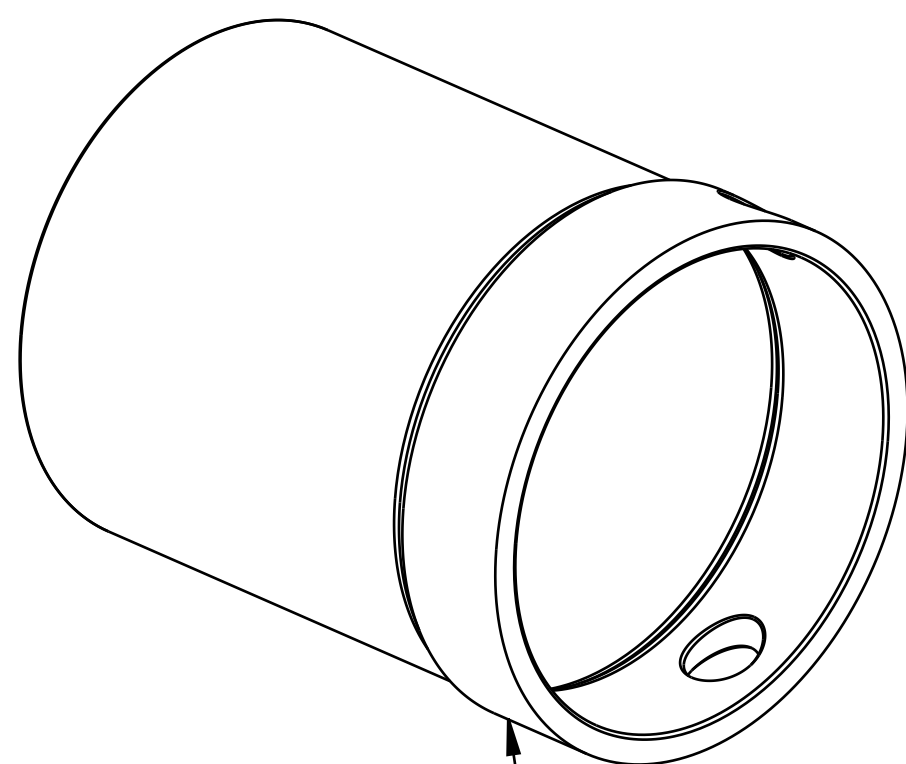
GREASE:
 THIN LAYER
 OF SLICK HONEY

TORQUE:
 120±10 IN.LB.

035-00-110
 Seals: Q-Ring [(-110) .103 C.S. X .362 ID]

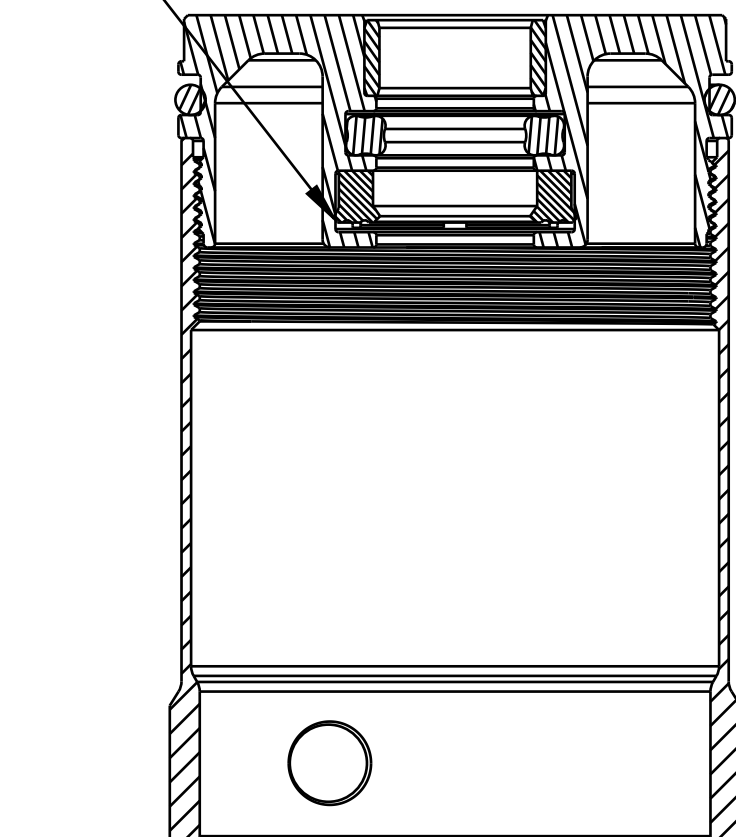
036-01-020
 Seals: U-Cup, 10mm Shaft

029-08-144
 O-Ring [33.0mm ID x 2.0mm CS] Metric, N-70, Static



234-04-719
 Neg Plate Tube, FLOAT NA 2, 40

IMPORTANT:
 NOTE ORIENTATION OF
 U-CUP SEAL



SECTION A-A

FOX FOX Factory, Inc. Ph 831-768-1100
 130 Hangar Way, Watsonville, CA 95076 USA Fax 831-768-9312

TITLE
**Neg Plate,
 FLOAT NA 2, 40**

SIZE DWG. NO.
C 820-02-330-KIT

PLOT SCALE 2.00:1 SHEET 1 OF 1

- PROPRIETARY -
 THIS DOCUMENT CONTAINS CONFIDENTIAL, PROPRIETARY INFORMATION
 THAT IS FOX PROPERTY. DO NOT DISCLOSE TO OR DUPLICATE
 FOR OTHERS EXCEPT AS AUTHORIZED BY FOX.

4

3

2

ProE ASSEM