

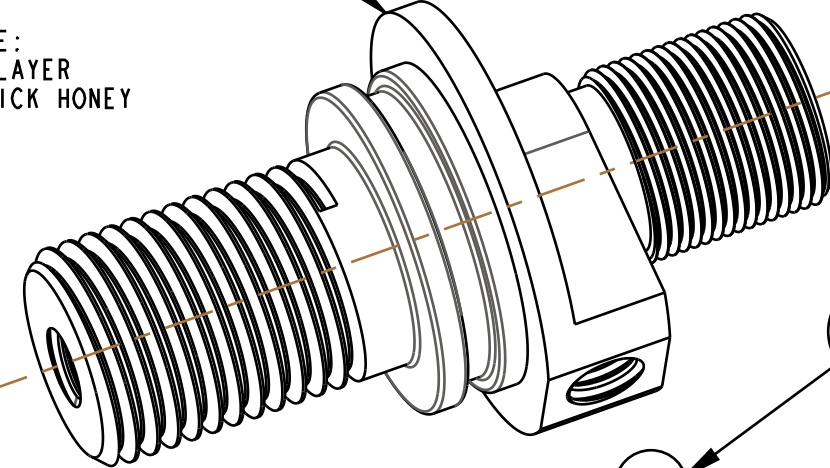
SCALE 2:1

Seals: O-Ring [3.0MM ID x 1.0MM CS] Metric, N-70, Static

Seals: O-Ring [7.0MM ID x 1.0MM CS] Metric, N-70, Static

210-22-423  
Lower Damper Shaft Insert, 010 RL\_RLC

GREASE:  
THIN LAYER  
OF SLICK HONEY



010-01-000  
Ball [Ø 0.1250] Steel

GREASE:  
THIN LAYER  
OF SLICK HONEY

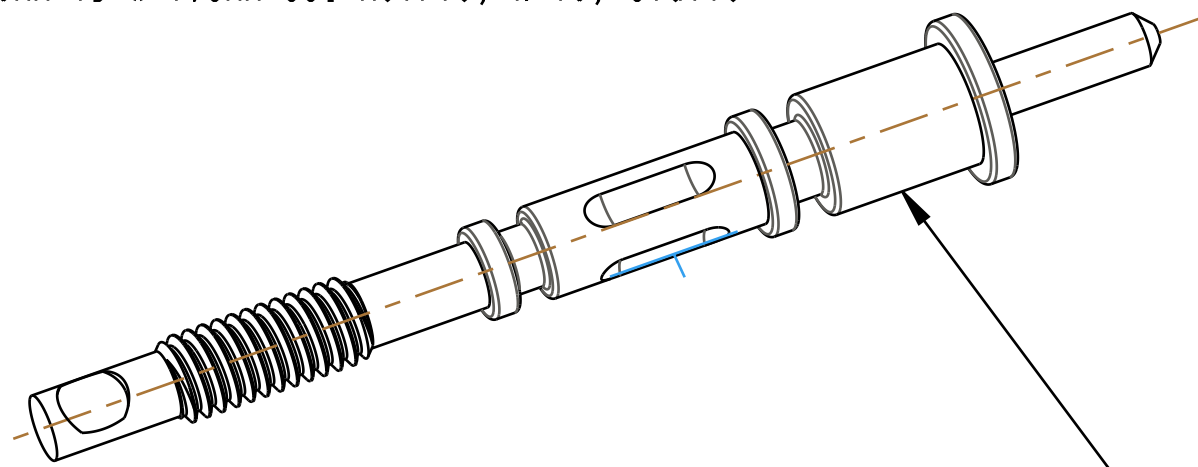
039-00-029  
Spring: [0.125 TLG X 0.125 OD X 50.00 lbs/in]

029-08-047  
Seals: O-Ring [13.0MM ID x 1.0MM CS] Metric, N-70, Static

018-01-006  
Screw, Set [#8-32 X .093 L] Cup Pt, Nylok

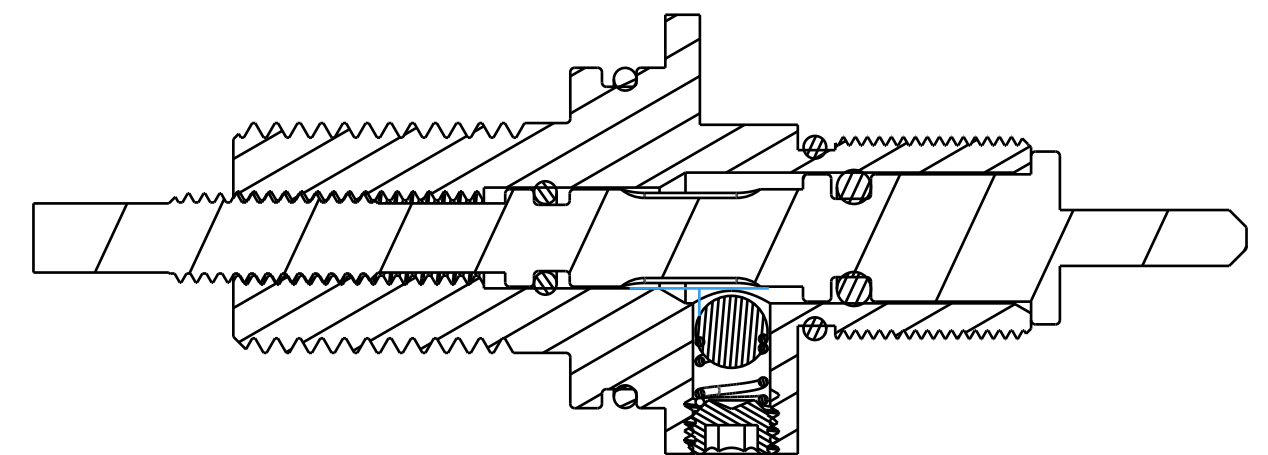
TIGHTEN UNTIL FLUSH

029-08-068  
Seals: O-Ring [3.0MM ID x 1.5MM CS] Metric, N-70, Static



210-22-907  
Rebound Adjuster Screw, 2015 RC2, 303SS

GREASE:  
THIN LAYER  
OF SLICK HONEY



SECTION A-A

- PROPRIETARY -  
THIS DOCUMENT CONTAINS CONFIDENTIAL, PROPRIETARY INFORMATION  
THAT IS FOX PROPERTY. DO NOT DISCLOSE TO OR DUPLICATE  
FOR OTHERS EXCEPT AS AUTHORIZED BY FOX.

		<b>FOX Factory, Inc.</b> 130 Hangar Way, Watsonville, CA 95076 USA Ph 831-768-1100 Fax 831-768-9312	
TITLE		<b>2011 RC2 REBOUND ADJUSTER ASSEMBLY</b>	
SIZE	DWG. NO.	<b>820-03-167-KIT</b>	
<b>C</b>	PLOT SCALE 3:1	SHEET 1 OF 1	