

SCALE 2:1

Bearing: Internal [0.394 ID X 0.197 TLG X 0.040 WTH, 10mm Shaft] Ekonol/AL

Seals: O-Ring [13.5MM ID x 1.5MM CS] Metric, N-70, MIL-STD-413

003-00-009

(003-00-009)

029-08-117

IMPORTANT:
ENSURE RETAINING RING IS FULLY
SEATED INTO GROOVE FULL 360°

IMPORTANT:
NOTE ORIENTATION
OF ENDCAP

036-02-094
10mm FIT SKF Sealhead Seal

GREASE:
THIN LAYER
OF SLICK HONEY

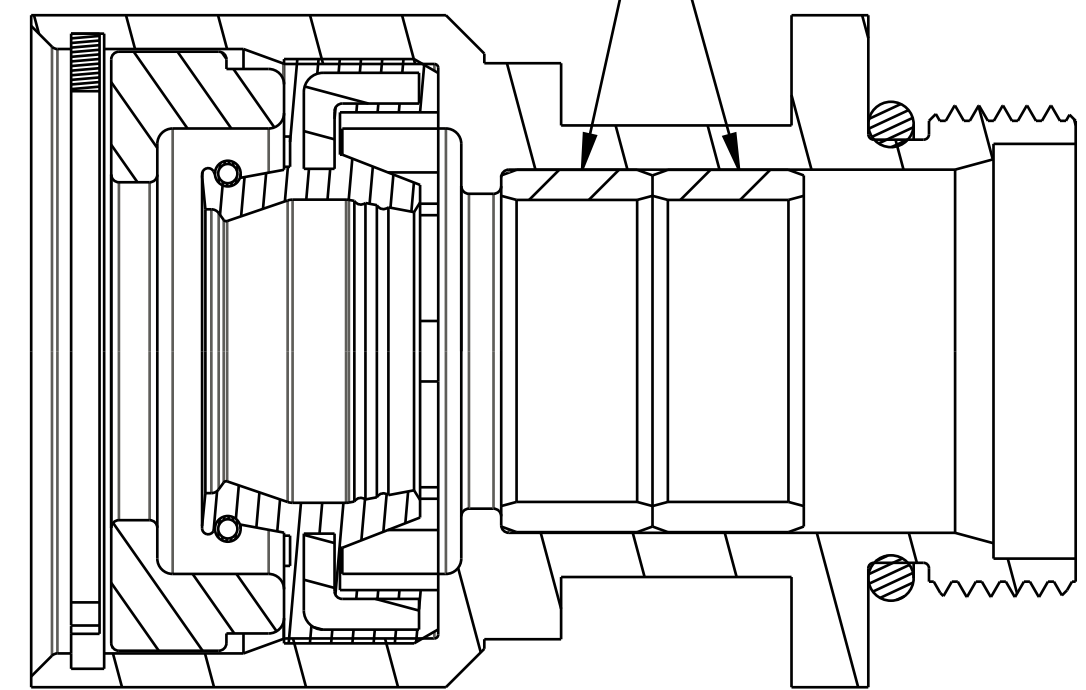
210-22-862
Sealhead: 10mm SKF FIT Body

IMPORTANT:
NOTE ORIENTATION
OF SEAL

210-22-864
Sealhead: 10mm SKF FIT Endcap

038-00-124
Retaining Ring: Smalley, FH-020-S02

OIL:
COAT ID OF SEALHEAD HERE WITH
ATF PRIOR TO BUSCHING INSTALL



SECTION A-A

FOX FOX Factory, Inc. Ph 831-768-1100
130 Hangar Way, Watsonville, CA 95076 USA Fax 831-768-9312

TITLE
**SEALHEAD ASSY,
2015 10MM SHAFT SKF**

SIZE DWG. NO. **820-03-450-KIT**

PLOT SCALE 4:1 SHEET 1 OF 1

- PROPRIETARY -
THIS DOCUMENT CONTAINS CONFIDENTIAL, PROPRIETARY INFORMATION
THAT IS FOX PROPERTY. DO NOT DISCLOSE TO OR DUPLICATE
FOR OTHERS EXCEPT AS AUTHORIZED BY FOX.