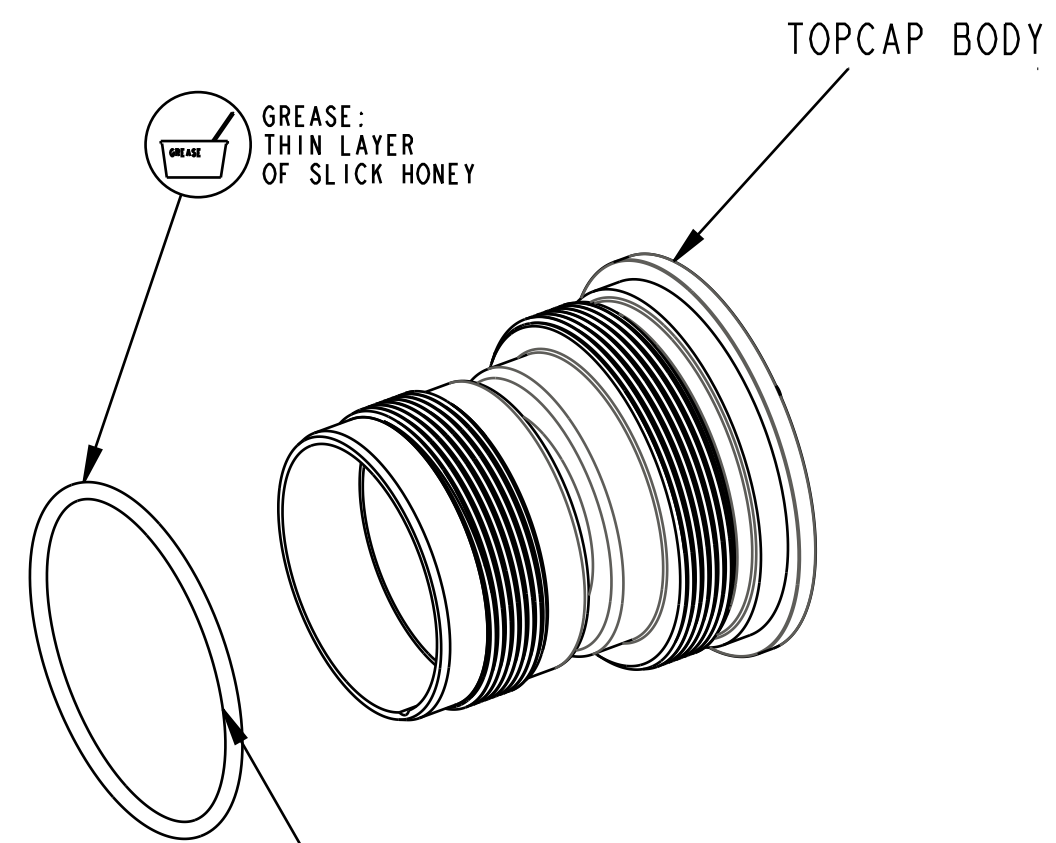
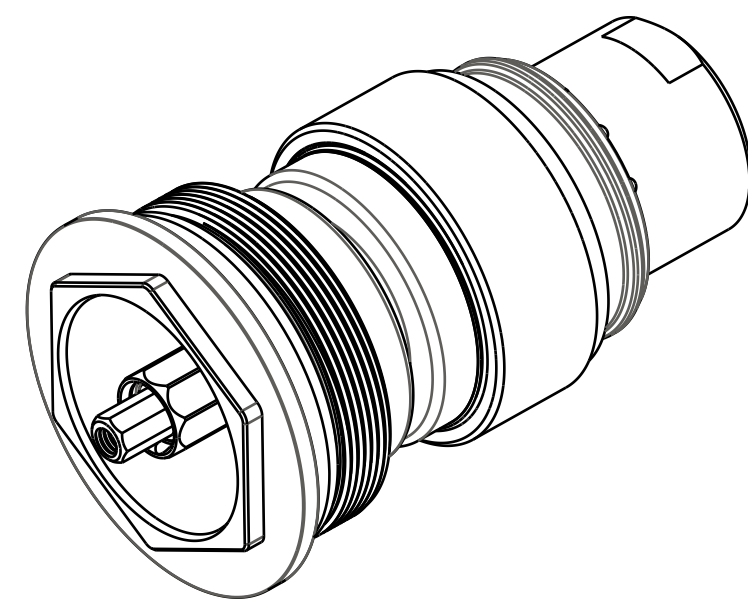


4

3

2

1



GREASE:
THIN LAYER
OF SLICK HONEY

TOPCAP BODY

029-03-026-A
TOPCAP O-RING

210-22-926
Compression Clamp, FIT4, 36

820-03-471-KIT
TOPCAP COMPRESSION PARTS

820-03-460-KIT
COMPRESSION VALVING ASSY

029-03-023
Seals: O-Ring [(-023) .070 C.S. X 1.051 ID] Standard, N-70, Static

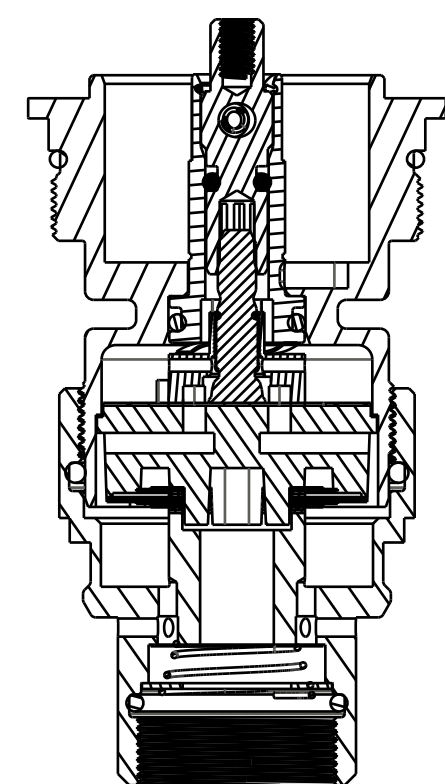
044-06-060
Valve: [.600 X .252 X .006]

039-00-205
Spring, Comp. Check

040-20-066
Valve: [0.660 OD X 0.377 ID X 0.020 TH]

029-08-059
Seals: O-Ring [16.5mm ID X 1.5mm CS] Metric, N-70, Static

GREASE:
THIN LAYER
OF SLICK HONEY



		FOX Factory, Inc.		Ph 831-768-1100
TITLE		130 Hangar Way, Watsonville, CA 95076 USA		Fax 831-768-9312
		2016 F-S 40		
		FIT4 Topcap		
SIZE	DWG. NO.	820-05-350-KIT		
C				
PLOT SCALE .50:1				SHEET 1 OF 1

- PROPRIETARY -
THIS DOCUMENT CONTAINS CONFIDENTIAL, PROPRIETARY INFORMATION
THAT IS FOX PROPERTY. DO NOT DISCLOSE TO OR DUPLICATE
FOR OTHERS EXCEPT AS AUTHORIZED BY FOX.

4

3

2

ProE ASSEM