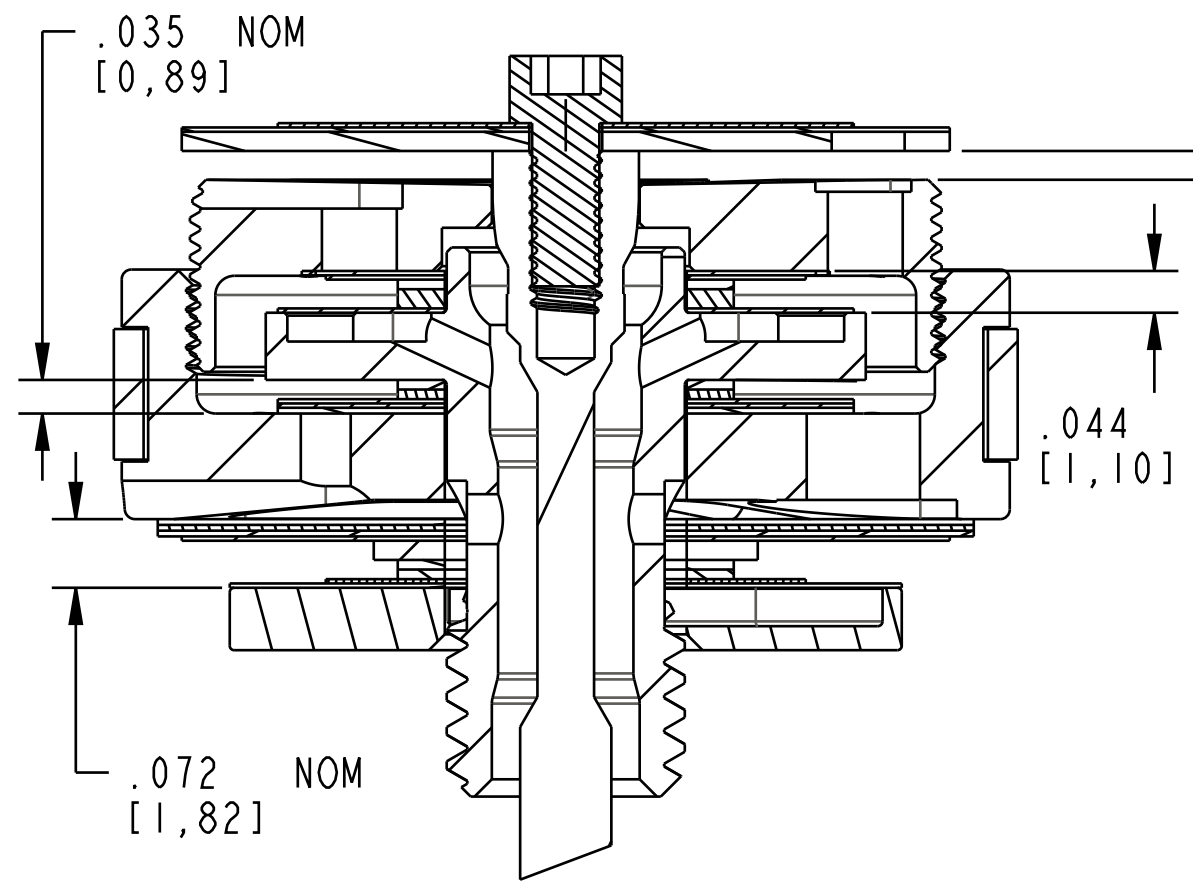


4

3

2

1



.030-.047 [0,77-1,19]
 PLATE LIFT FROM CLOSED TO MIDDLE POSITION, ALL NON REMOTES + IRD

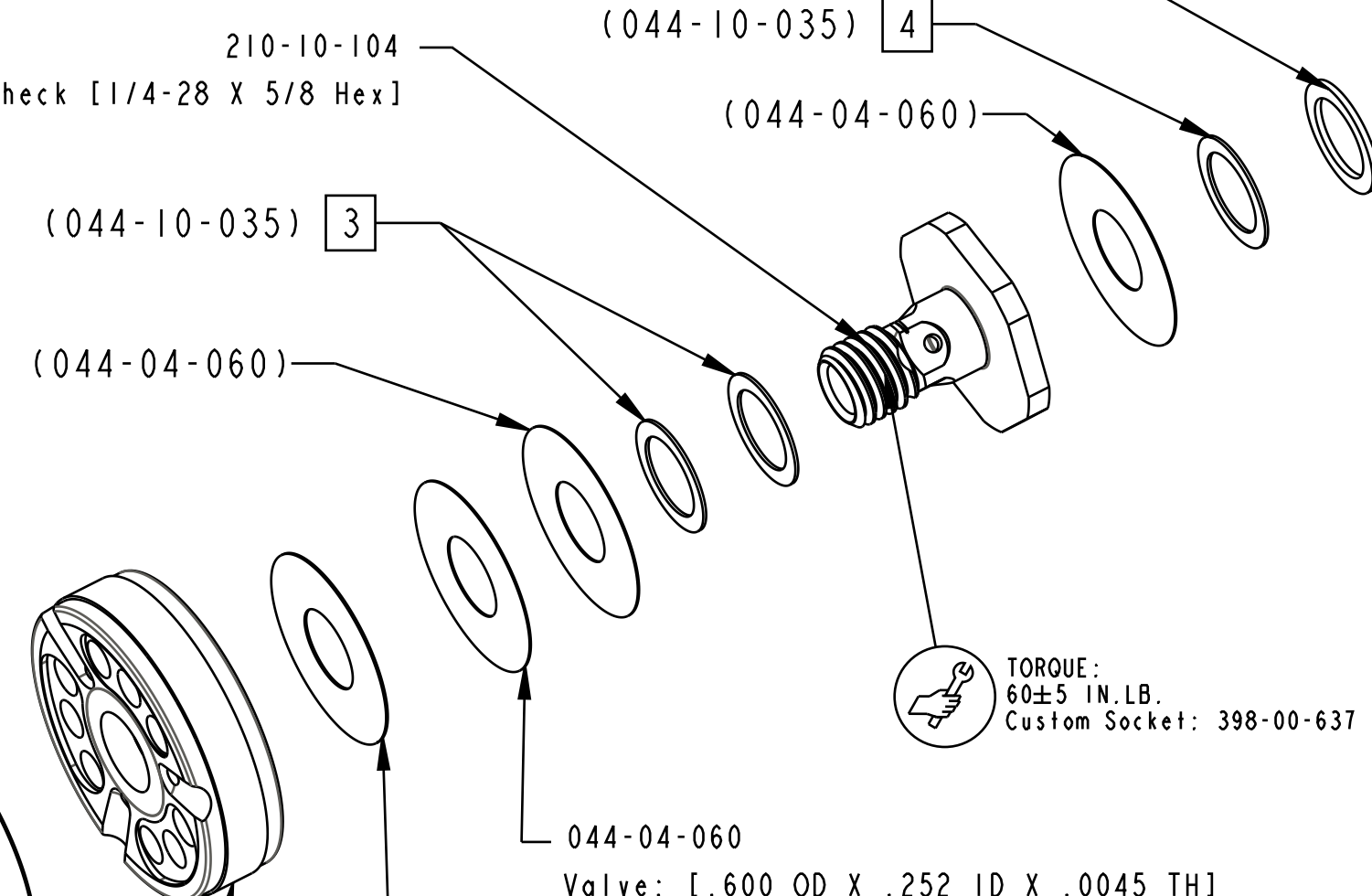
.025-.037 [0,64-0,94]
 PLATE LIFT FROM CLOSED TO MIDDLE POSITION, ALL CABLE REMOTES

Piston Bolt: Dish WRD w/ check [1/4-28 X 5/8 Hex]

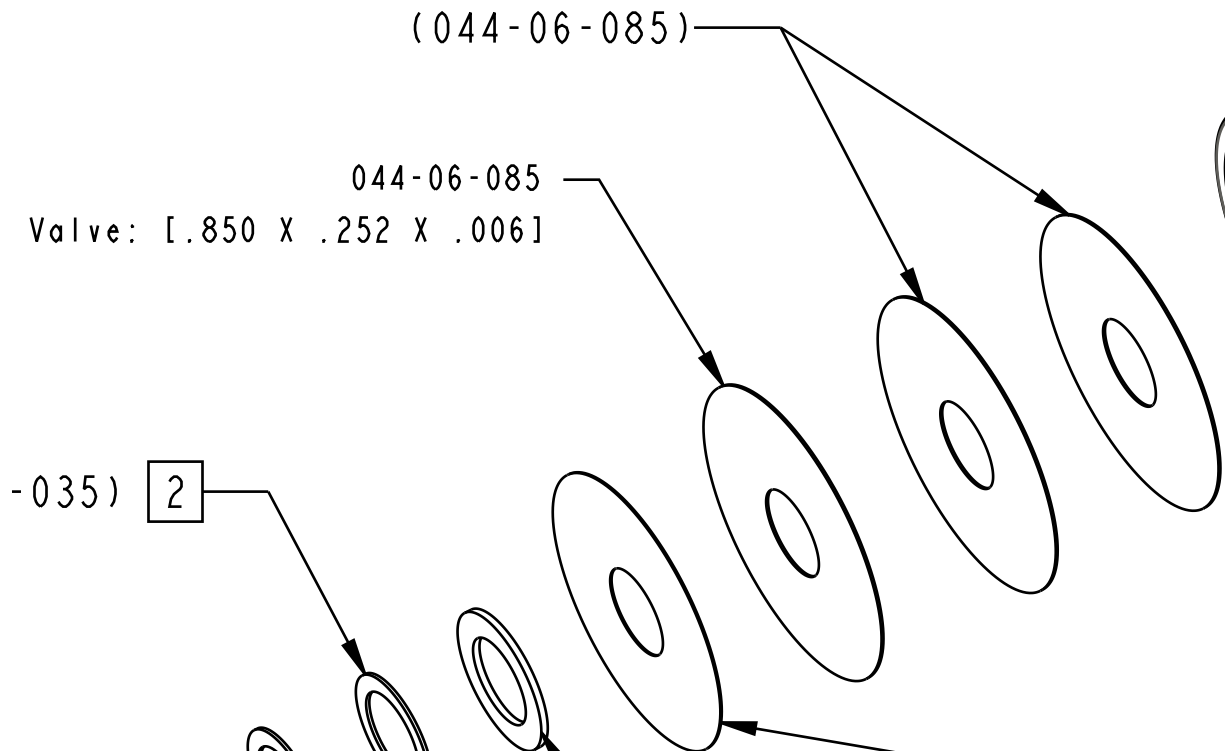
222-01-297
 Piston: Lockout, Float DPS [.200 TLG, M20 X 0.5] 416SS

044-04-055
 Valve: [.550 OD X 0.252 ID X 0.0045 TH]

044-04-050
 Valve: [.500 OD X .252 ID X .0045 TH]



TORQUE:
 22±2 IN.LB.
 Custom socket: 398-00-638

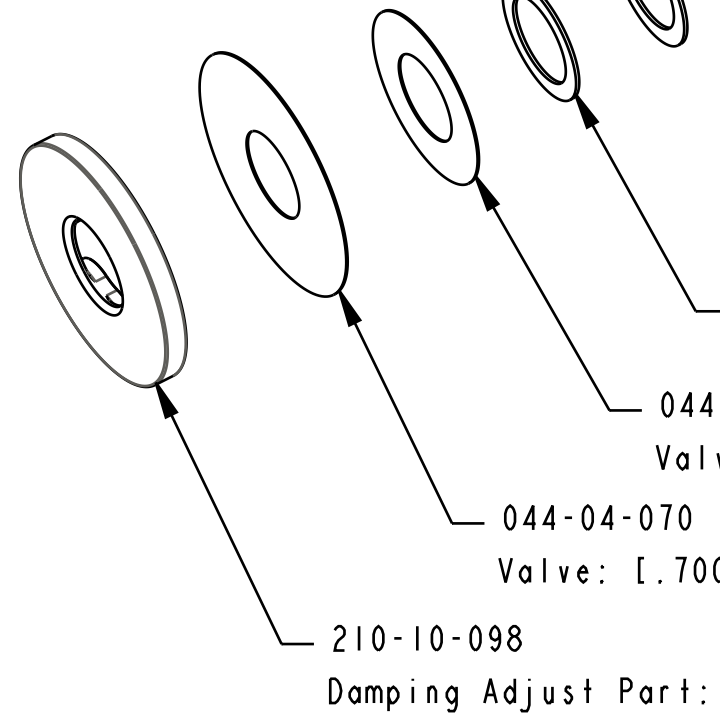


044-04-080
 Valve: [.800 OD X .252 ID X .0045 TH]

050-01-011 2
 Plate: Back-Up [.400 OD X 0.252 ID X 0.020 TH, Ø 0.375 Shaft] Steel

044-10-035 2
 Valve: [.350 OD X .252 ID X 0.010 TH]

044-04-050
 Valve: [.500 OD X .252 ID X .0045 TH]



NOTES: (UNLESS OTHERWISE SPECIFIED)

1. SHOCK SHOULD HAVE 12-15 REBOUND CLICKS

2. 1 OR 2 SPACERS MAY BE ADDED OR REMOVED TO ADJUST NUMBER OF REBOUND CLICKS .030" MIN SPACING

3. 1 OR 2 SPACERS MAY BE ADDED OR REMOVED TO ADJUST NUMBER OF REBOUND CLICKS .010" MIN SPACING

4. 1 OR 2 SPACERS MAY BE ADDED OR REMOVED TO ADJUST LOCKOUT PLATE LIFT .010" MIN SPACING

PROPRIETARY - THIS DOCUMENT CONTAINS CONFIDENTIAL, PROPRIETARY INFORMATION THAT IS FOX PROPERTY. DO NOT DISCLOSE TO OR DUPLICATE FOR OTHERS EXCEPT AS AUTHORIZED BY FOX.

FOX Factory, Inc. Ph 831-768-1100
 130 Hangar Way, Watsonville, CA 95076 USA Fax 831-768-9312

TITLE
Valving Assy: 2016 Float DPS, CF, RF, CMF [.940 Bore]

SIZE DWG. NO.
C 807-06-162-KIT

PLOT SCALE 2.00:1 SHEET 1 OF 1

4

3

2

ProE ASSEM