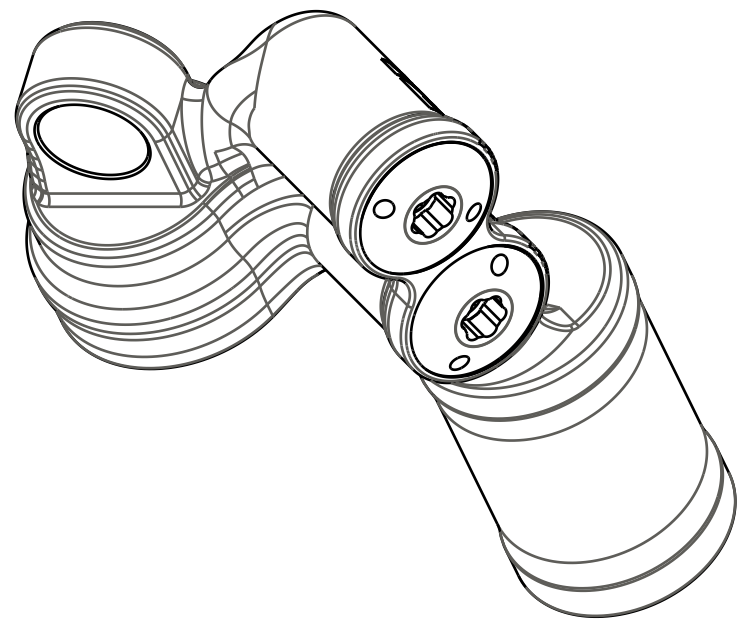


4

3

2

1



018-01-026  
Screw [#6-32 X .250 TLG]

029-03-006  
O-Ring (-006) [.070 C.S. X .114 ID]

Eyelet: DHX2, FloatX2, 6061-T6, Black Ano III

Seals: O-Ring [(-023) .070 C.S. X 1.051 ID] Standard, N-70, Static

029-03-023  
O-Ring (-025) [.070 C.S. X 1.176 ID]

029-03-025

815-02-046-KIT  
Valve Seat Assy: DHX2, Float X2

815-00-067-KIT  
Damping Adj Assy: 2016 DHX2 FLOATX2 Cartridge RC CD

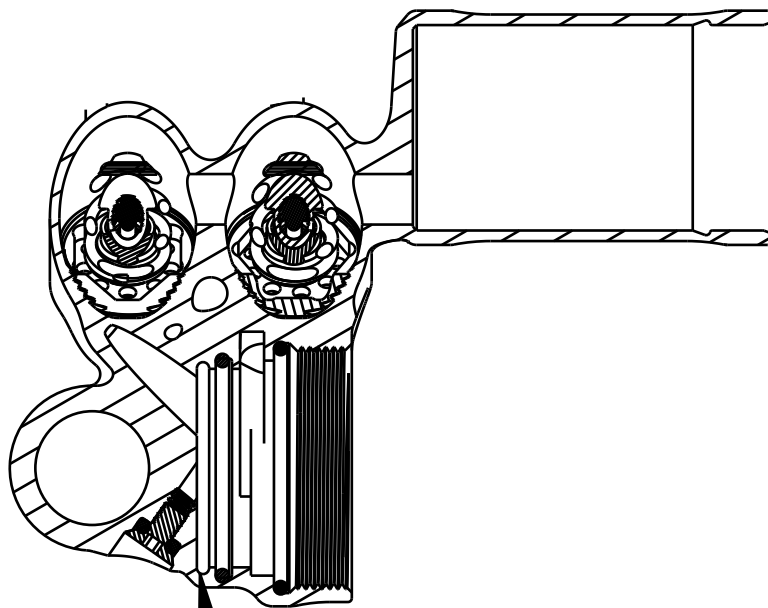
815-00-066-KIT  
Damping Adj Assy: 2016 DHX2 FLOATX2 Cartridge RC RD

TORQUE:  
80 IN LB  
LEFT HAND THREAD

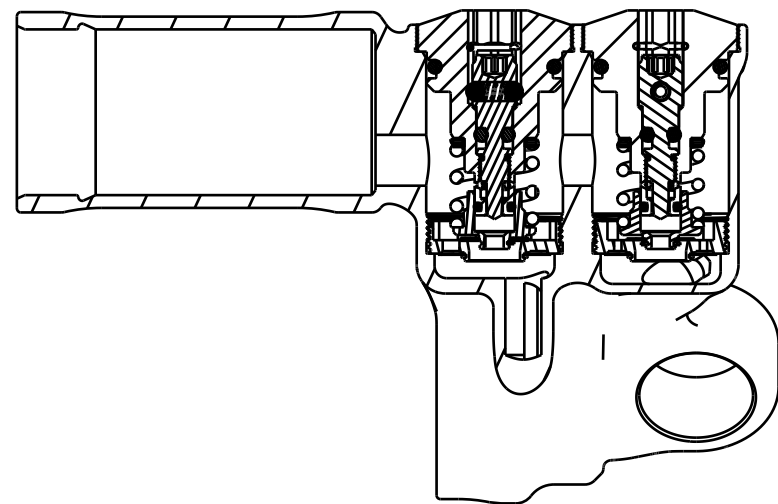
TORQUE:  
80±5 IN.LB.

IMPORTANT:  
DO NOT ASSEMBLE O-RING  
TO STRAIN RELIEF

SECTION B-B



SECTION C-C



- PROPRIETARY -  
THIS DOCUMENT CONTAINS CONFIDENTIAL, PROPRIETARY INFORMATION  
THAT IS FOX PROPERTY. DO NOT DISCLOSE TO OR DUPLICATE  
FOR OTHERS EXCEPT AS AUTHORIZED BY FOX.

**FOX** **FOX Factory, Inc.**  
130 Hangar Way, Watsonville, CA 95076 USA Ph 831-768-1100  
Fax 831-768-9312

TITLE  
**Eyelet Assy:  
P-SE 2016 DHX2**

SIZE DWG. NO. **808-17-185-KIT**

PLOT SCALE | .00:1 | SHEET 1 OF 1