

4

3

2

1

D

D

C

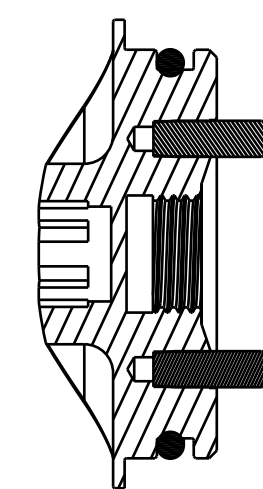
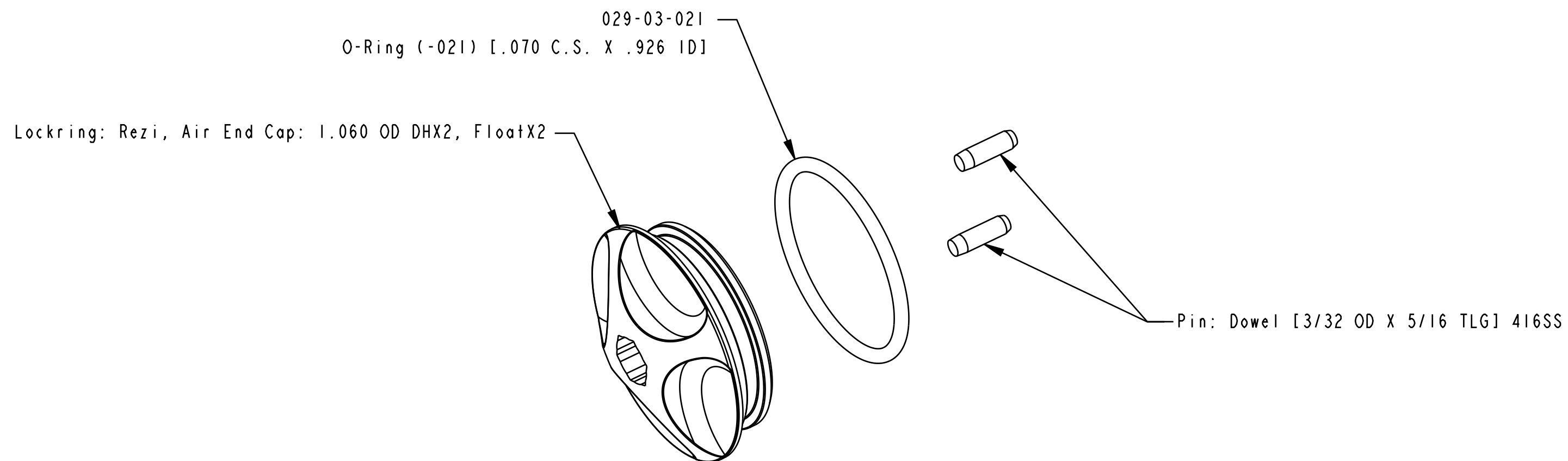
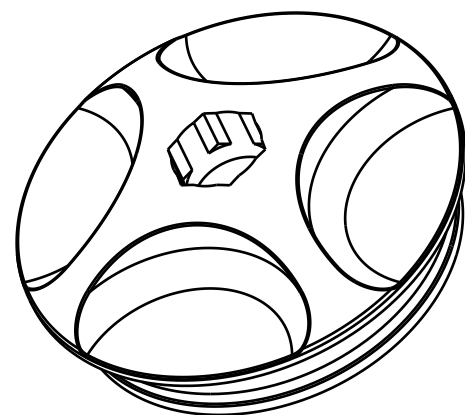
C

B

B

A

A



SECTION A-A

- PROPRIETARY -
THIS DOCUMENT CONTAINS CONFIDENTIAL, PROPRIETARY INFORMATION
THAT IS FOX PROPERTY. DO NOT DISCLOSE TO OR DUPLICATE
FOR OTHERS EXCEPT AS AUTHORIZED BY FOX.

FOX		FOX Factory, Inc.	Ph 831-768-1100
		130 Hangar Way, Watsonville, CA 95076 USA	Fax 831-768-9312
TITLE			
Reservoir End Cap Assembly: 2016 DHX2			
SIZE		DWG. NO.	
C		813-00-097-KIT	
PLOT SCALE		SHEET	
2.00:1		1 OF 1	

4

3

2

1