

Retaining Ring: Internal, Round Wire [.031 Wire OD, .265 free ID]

010-01-002-A
BALL (0.094) STEEL

210-22-911
Adjuster: Base Valve, LS, DHX2, FloatX2

234-04-891
Valve Body RC Rebound Red

039-00-243
Spring: Detent [.138 TLG, .087 OD, 48 lb/in]

GREASE:
THIN LAYER
OF SLICK HONEY

GREASE:
THIN LAYER
OF SLICK HONEY

GREASE:
THIN LAYER
OF SLICK HONEY

029-00-004
O-Ring (-004) [.070 C.S. X .070 ID]

Valve: Metric [11.0mm OD X 8.0mm ID X 0.30mm TH]

045-30-811

(045-30-811)

(045-30-811)

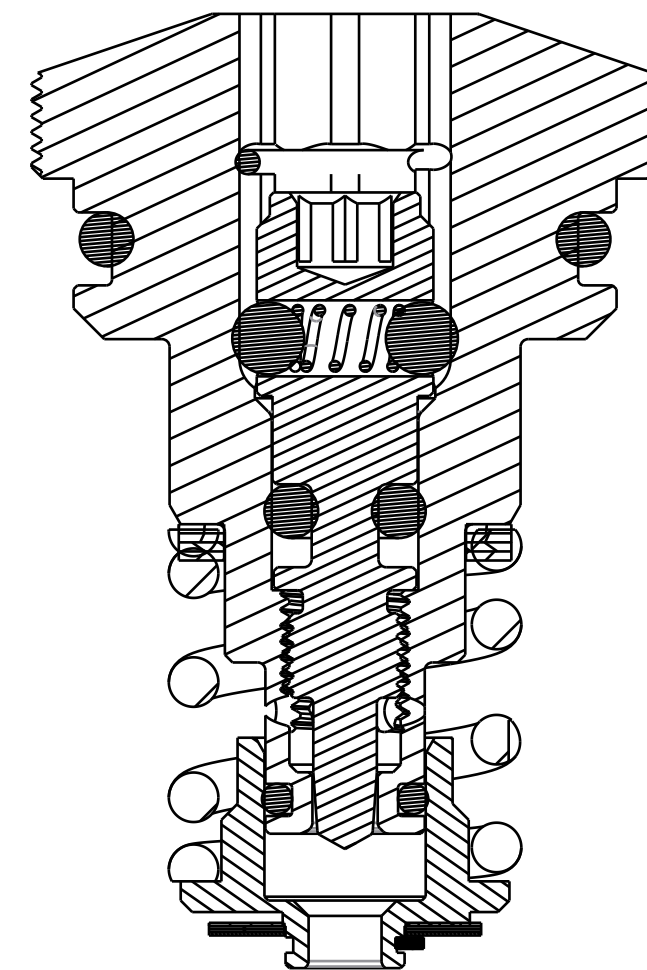
(045-30-811)

029-08-051
Seals: O-Ring [3.5MM ID x 1.0MM CS] Metric, N-70, Static

029-00-015
O-Ring (-015) [.070 C.S. X .551 ID]

039-00-248
Spring: High Speed [.458 TLG X .330 ID X 200 lb/in]

815-02-045-KIT
Damping Adj Assy: 2016 DHX2, FloatX2 Poppet, RD



SECTION A-A
SCALE 4.000

- PROPRIETARY -
THIS DOCUMENT CONTAINS CONFIDENTIAL, PROPRIETARY INFORMATION
THAT IS FOX PROPERTY. DO NOT DISCLOSE TO OR DUPLICATE
FOR OTHERS EXCEPT AS AUTHORIZED BY FOX.

FOX FOX Factory, Inc. Ph 831-768-1100
130 Hangar Way, Watsonville, CA 95076 USA Fax 831-768-9312

TITLE
**Damping Adj Assy: 2016 DHX2
FLOATX2 Cartridge RC RD**

SIZE DWG. NO.
C 815-00-066-KIT

PLOT SCALE 2.00:1 SHEET 1 OF 1