

010-00-025  
Cap, Air Valve, Short [.305-32] Black

802-00-010 -KIT  
Air Valve Assy: Allen [5/16-32 ORB X Schrader]

TORQUE:  
35±5 IN.LB.

Eyelet, LV 2014 Float X, CTD-Adj 6061-T6, Black Ano III

010-01-000  
Ball [Ø 0.1250] Steel

039-00-264  
Spring: [0.190 TLG X 0.120 OD X 25.6 lbs/in] 17-7 SS, left hand wound

018-01-007  
Socket Set Half Dog Point Screw [#8-32 X 0.250 TLG]

TORQUE:  
2±.5 IN.LB.

(2X 019-01-093)

CABLE STOP DOWN

TORQUE:  
75±5 IN.LB.

820-07-122 -KIT  
Lever Housing Assy: 2016 Float X CTD Remote

FLOAT X Rezi Cartridge

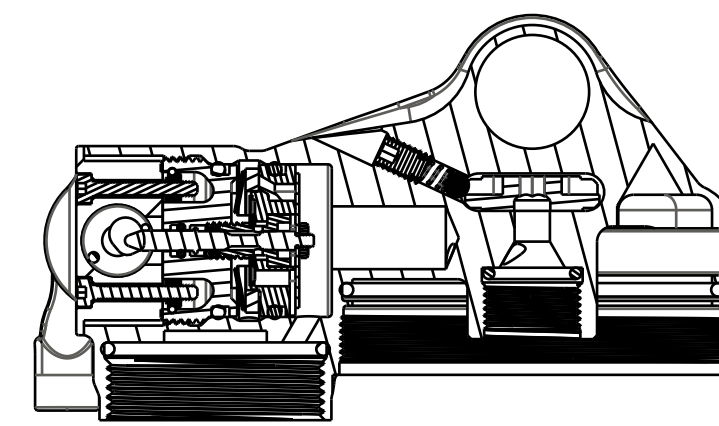
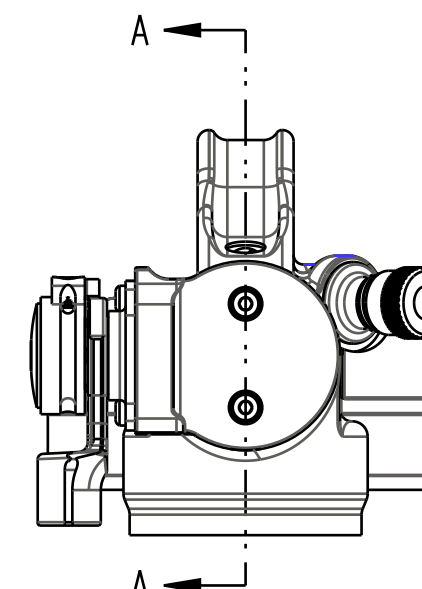
029-03-023  
Seals: O-Ring [(-023) .070 C.S. X 1.051 ID] Standard, N-70, Static

210-03-171  
Dial, RD Adjust [.700 OD X .125 Hex X .180 TLG]

029-08-030  
Seals: O-Ring [10.0MM ID x 1.5MM CS] Metric, N-70, Static

029-00-032  
Seals: O-Ring [(-032) .070 C.S. X 1.864 ID] Standard N674-70, Dynamic

GREASE:  
THIN LAYER  
OF SLICK HONEY



SECTION A-A

**FOX** Factory, Inc. Ph 831-768-1100  
130 Hangar Way, Watsonville, CA 95076 USA Fax 831-768-9312

TITLE  
**Eyelet Assy:  
2016 Float X Remote**

SIZE DWG. NO.  
**C 808-17-166 -KIT**

PLOT SCALE | .00:1 | SHEET 1 OF 2

- PROPRIETARY -  
THIS DOCUMENT CONTAINS CONFIDENTIAL, PROPRIETARY INFORMATION  
THAT IS FOX PROPERTY. DO NOT DISCLOSE TO OR DUPLICATE  
FOR OTHERS EXCEPT AS AUTHORIZED BY FOX.