

Fastener, Standard: Nut, [#1-64 x 5/32 Hex], 18-8 SS

Fastener, Standard: Washer, L/O Plate, [.700 O.D. x .076 I.D. x .020 TH]

018-00-052

018-05-048

TORQUE: 22±5 IN.LB.

TORQUE: 2±0.5 IN.LB.

GREASE: THIN LAYER SLICK HONEY

044-08-274
Valve: [.274 OD X .195 ID X .0080]

044-04-475
Valve: [.475 OD X .195 ID X .0045]

GREASE: THIN LAYER SLICK HONEY

GREASE: THIN LAYER SLICK HONEY

210-10-101
Piston, Bolt, [#10-32 x .250 SHLG] 420 SS, 2014 Float X

210-22-672
Rod: CD Adj, [.135 OD X .979 TLG] 2016 Float X

029-00-017
O-Ring (-017) [.070 C.S. X .676 ID]

222-01-117
Piston: Rezi, CTD Adj 2015 Float X .064 Web [.790 O.D. X .200 I.D. X .230 W]

234-04-432
HSD Plate, [.750 O.D. x .516 I.D. x .070 TH] 2014 Float X

044-06-274
Valve: [.274 OD X .195 ID X .0060]

044-10-475
Valve: [.475 OD X .195 ID X .0100]

241-01-053
Fastener, Custom: Belleville Washer, CTD adj assembly, 2014 Float X

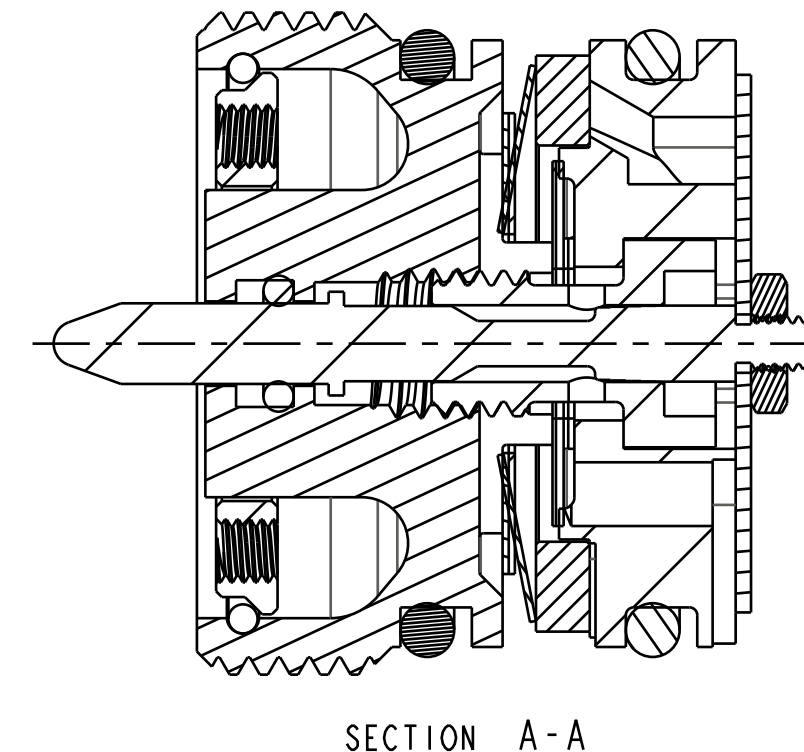
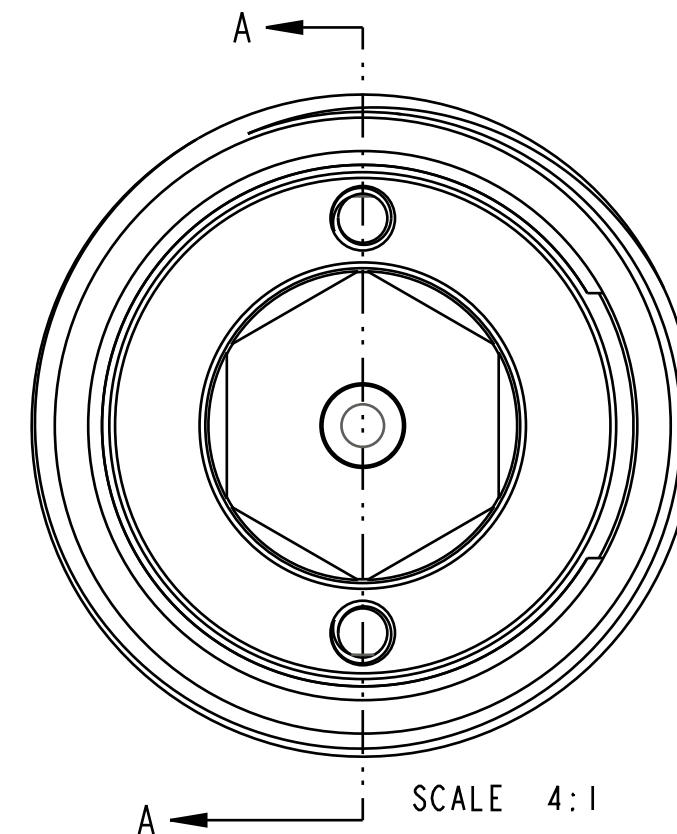
044-08-600
Valve: [.600 OD X .285 ID X .0080]

226-00-084
Endcap, 2014 Float X Adj Cartridge Assembly [.463 TLG X .790 OD] M22x1

029-08-177
Seals: O-Ring [2.5mm ID x 1.0mm CS] Metric, Disogrin 6865 Poly, 70 Durometer

026-03-064
Lever Housing Mounting Plate, 2014 Float X [.705 OD, .410 ID, 2x M2x.4] 416SS

038-00-103
Retaining Ring: Round Wire [.038 CS X .850 Free OD] 302 SS



PROPRIETARY - THIS DOCUMENT CONTAINS CONFIDENTIAL, PROPRIETARY INFORMATION THAT IS FOX PROPERTY. DO NOT DISCLOSE TO OR DUPLICATE FOR OTHERS EXCEPT AS AUTHORIZED BY FOX.

FOX Factory, Inc. 130 Hangar Way, Watsonville, CA 95076 USA Ph 831-768-1100 Fax 831-768-9312

TITLE Damping Adj Assy; 2016 Float X Rezi Cartridge, CL, CMM

SIZE DWG. NO. C 815-00-070-KIT

PLOT SCALE 1:1 SHEET 1 OF 1