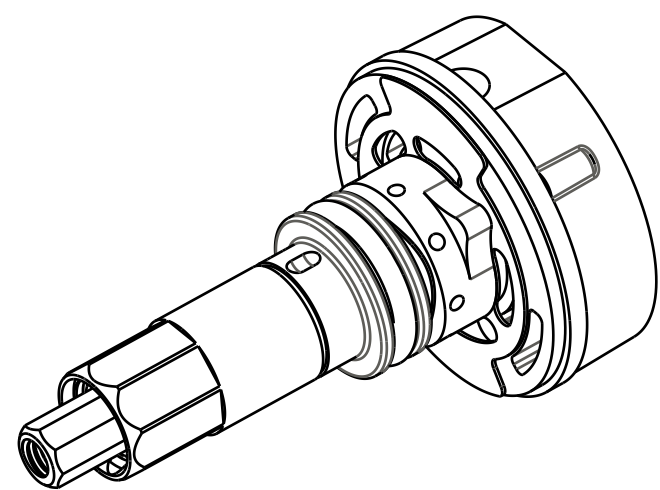


4

3

2

1



Retaining Ring: Wire [0.340 OD X 0.024" Wire] 17-7 SST

038-01-071

GREASE:  
THIN LAYER  
OF SLICK HONEY

210-22-882  
Butterfly Valve, FIT4

210-22-918  
SHAFT, COMPRESSION SELECTOR, F-S, FIT4

GREASE:  
THIN LAYER  
OF SLICK HONEY

222-01-290  
Piston, Compression, FIT4, Dished, Zinc, Die Cast

210-22-920  
Compression Adjust Coupler, F-S, FIT4

210-22-919  
Compression Adjust Needle, F-S, FIT4

210-22-921  
Lockout Selector, F-S, FIT4

039-00-241  
Spring: Wave [.322 ID x .420 OD, 3 Waves] SS

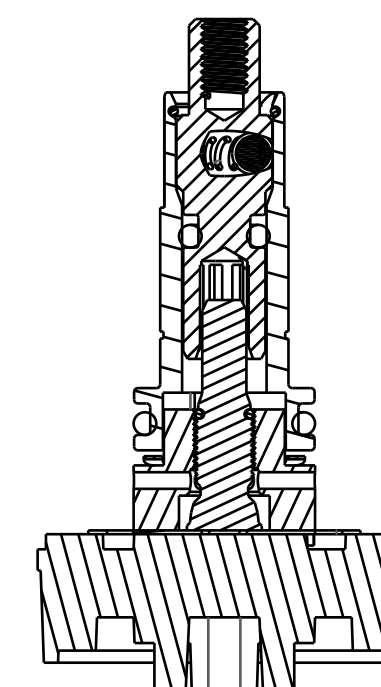
029-08-041  
Seals: O-Ring [9.0MM ID x 1.5MM CS] Metric, N-70, Dynamic

029-08-068  
Seals: O-Ring [3.0MM ID x 1.5MM CS] Metric, N-70, Static

010-01-012  
Ball [Ø.1094]

039-00-243  
Spring: Detent [.138 TLG, .087 OD, 48 lb/in]

038-01-073  
Retaining Ring: Wire [.280 OD X .024 CS] SS



- PROPRIETARY -  
THIS DOCUMENT CONTAINS CONFIDENTIAL, PROPRIETARY INFORMATION  
THAT IS FOX PROPERTY. DO NOT DISCLOSE TO OR DUPLICATE  
FOR OTHERS EXCEPT AS AUTHORIZED BY FOX.

**FOX** Factory, Inc. Ph 831-768-1100  
130 Hangar Way, Watsonville, CA 95076 USA Fax 831-768-9312

TITLE  
**2016 FIT4 F-S  
TOP CAP PARTS**

SIZE DWG. NO.  
**C 820-03-462-KIT**

PLOT SCALE 2.00:1 SHEET 1 OF 1

4

3

2

1

ProE ASSEM