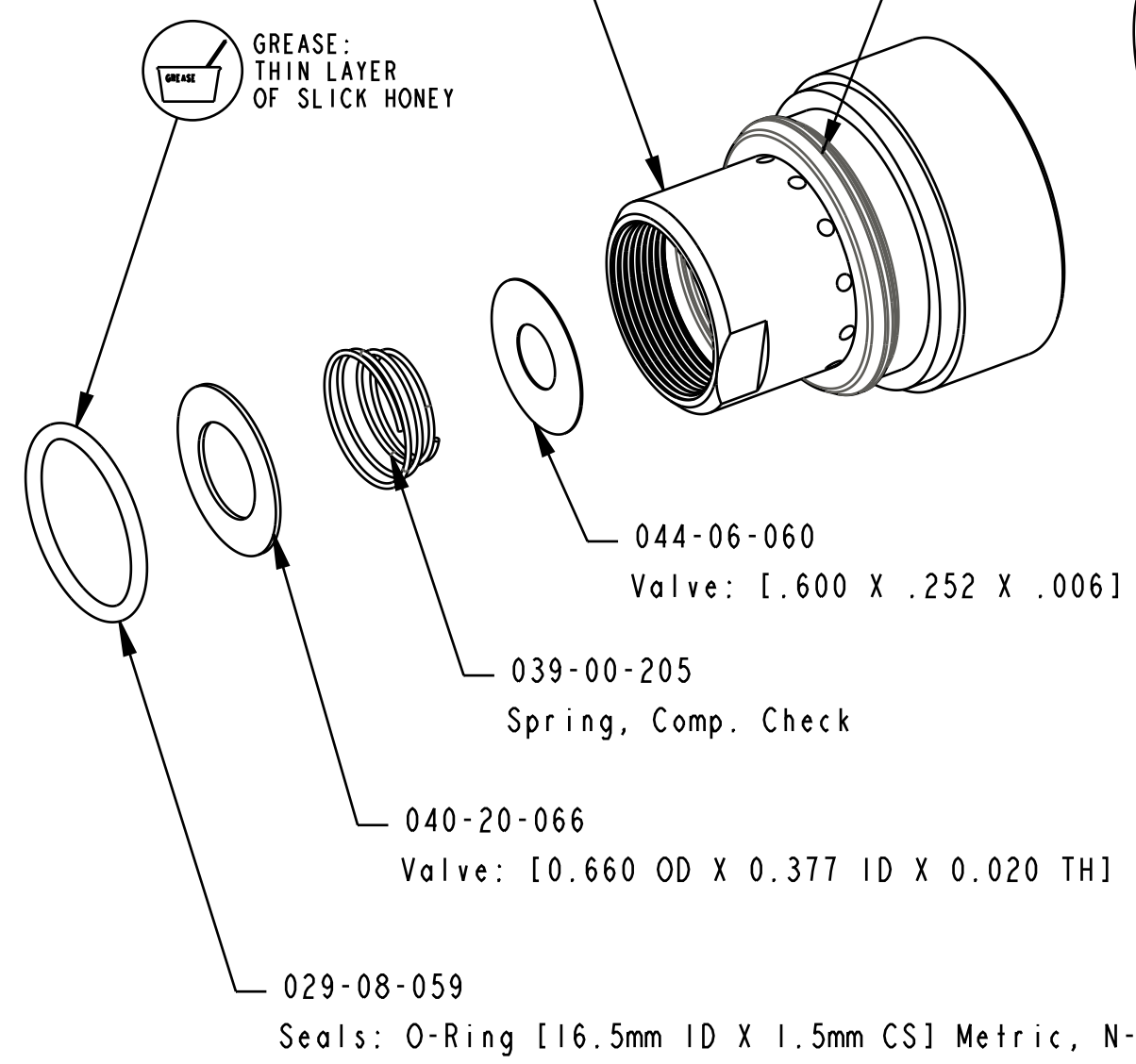
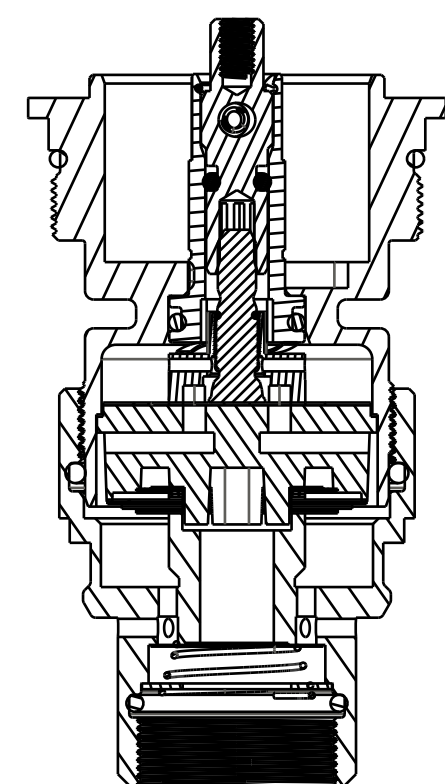
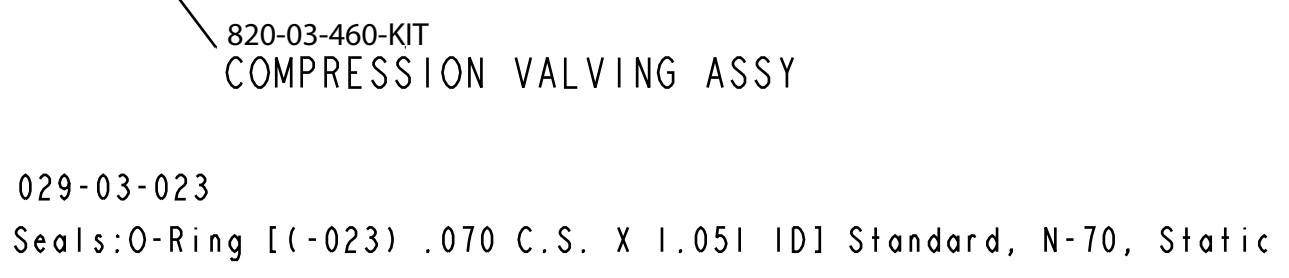
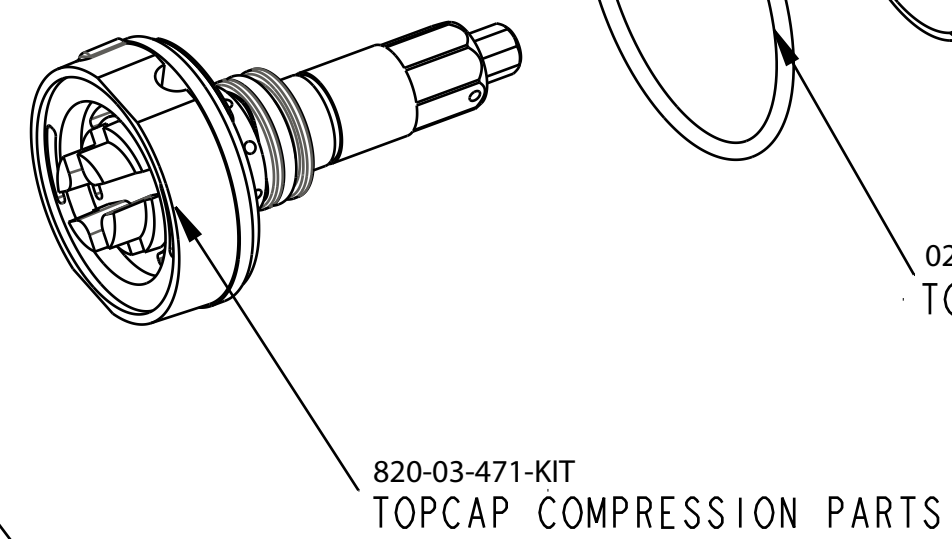
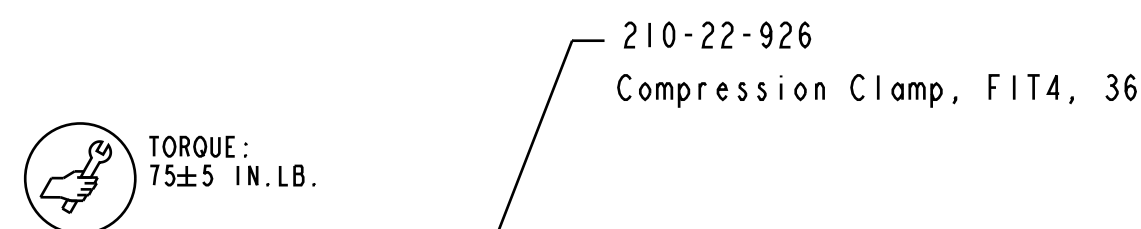
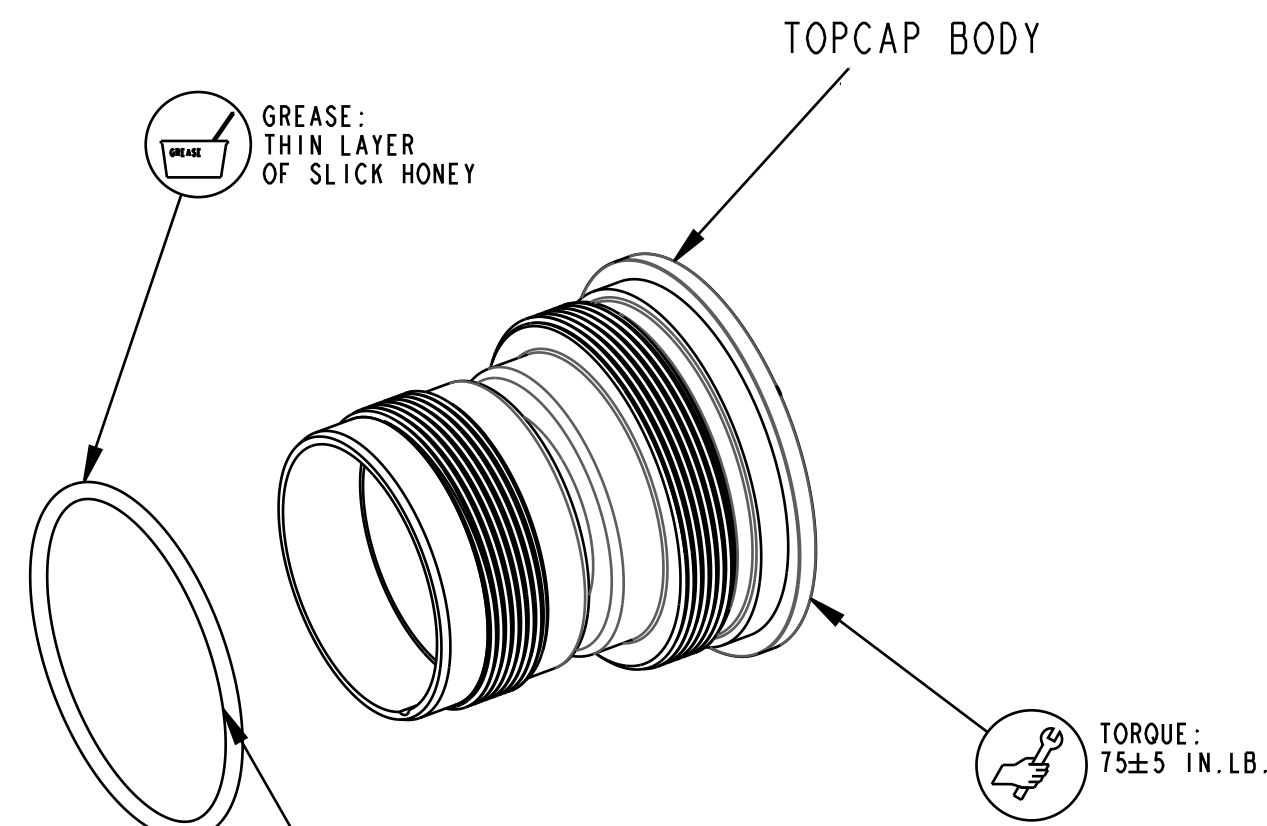
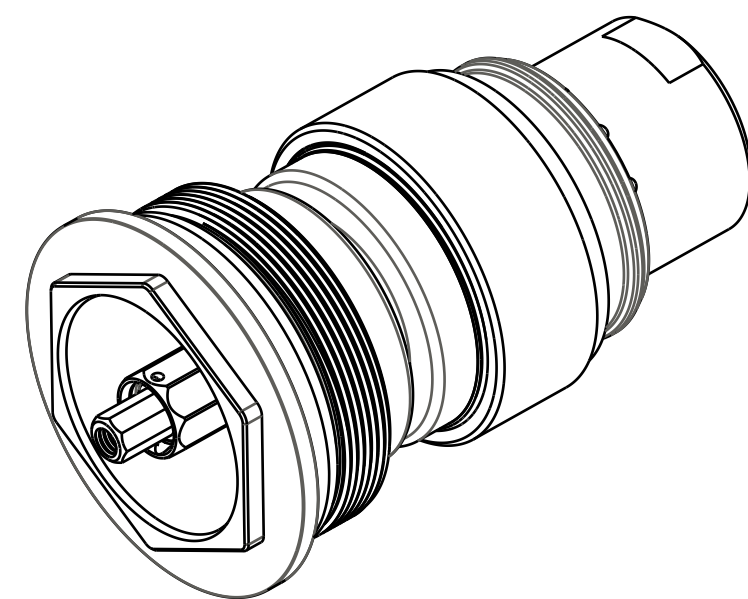


4

3

2

1



- PROPRIETARY -  
THIS DOCUMENT CONTAINS CONFIDENTIAL, PROPRIETARY INFORMATION  
THAT IS FOX PROPERTY. DO NOT DISCLOSE TO OR DUPLICATE  
FOR OTHERS EXCEPT AS AUTHORIZED BY FOX.

		<b>FOX Factory, Inc.</b>		Ph 831-768-1100
130 Hangar Way, Watsonville, CA 95076 USA				Fax 831-768-9312
TITLE		2016 36 FIT4 Topcap		
SIZE	DWG. NO.	820-05-349-KIT		
C				
PLOT SCALE   .50 : 1		SHEET   OF		