

SCALE 2:1

Bearing: Internal [0.394 ID X 0.197 TLG X 0.040 WTH, 10mm Shaft] Ekonol/AL

Seals: O-Ring [13.5MM ID x 1.5MM CS] Metric, N-70, MIL-STD-413

003-00-009

(003-00-009)

029-08-117

IMPORTANT:  
ENSURE RETAINING RING IS FULLY  
SEATED INTO GROOVE FULL 360°

IMPORTANT:  
NOTE ORIENTATION  
OF ENDCAP

036-02-094  
10mm FIT SKF Sealhead Seal

210-22-862  
Sealhead: 10mm SKF FIT Body

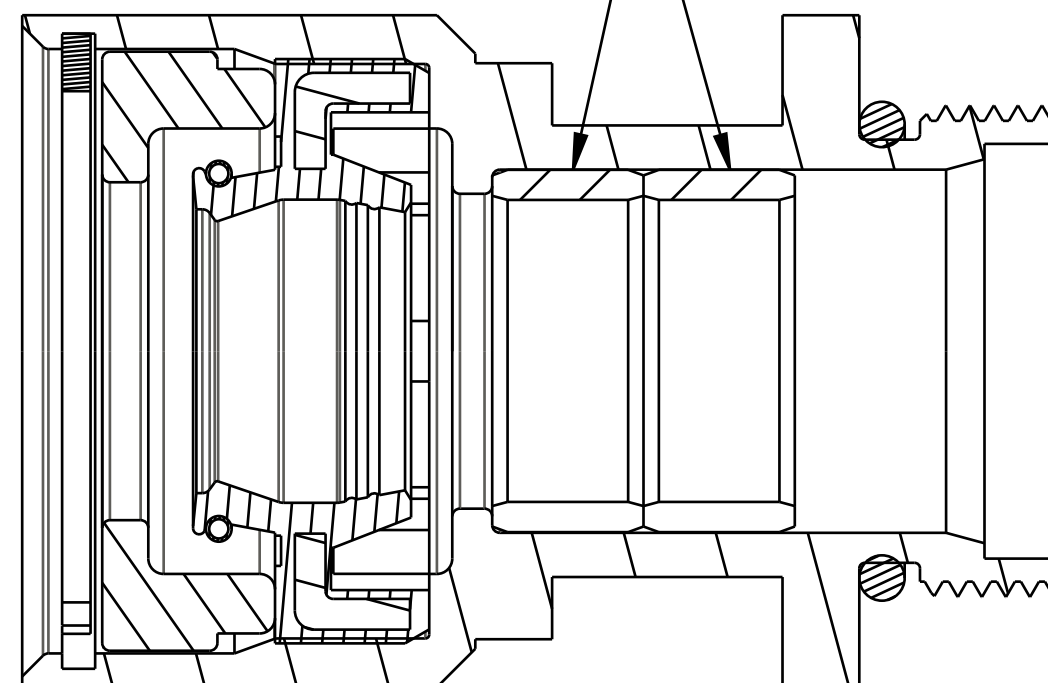
IMPORTANT:  
NOTE ORIENTATION  
OF SEAL

210-22-864  
Sealhead: 10mm SKF FIT Endcap

038-00-124  
Retaining Ring: Smalley, FH-020-S02

GREASE:  
THIN LAYER  
OF SLICK HONEY

OIL:  
COAT ID OF SEALHEAD HERE WITH  
ATF PRIOR TO BUSCHING INSTALL



SECTION A-A

**FOX** **FOX Factory, Inc.** Ph 831-768-1100  
130 Hangar Way, Watsonville, CA 95076 USA Fax 831-768-9312

TITLE  
**SEALHEAD ASSY,  
2015 10MM SHAFT SKF**

SIZE DWG. NO. **820-03-450-KIT**

PLOT SCALE 4:1 SHEET 1 OF 1

- PROPRIETARY -  
THIS DOCUMENT CONTAINS CONFIDENTIAL, PROPRIETARY INFORMATION  
THAT IS FOX PROPERTY. DO NOT DISCLOSE TO OR DUPLICATE  
FOR OTHERS EXCEPT AS AUTHORIZED BY FOX.