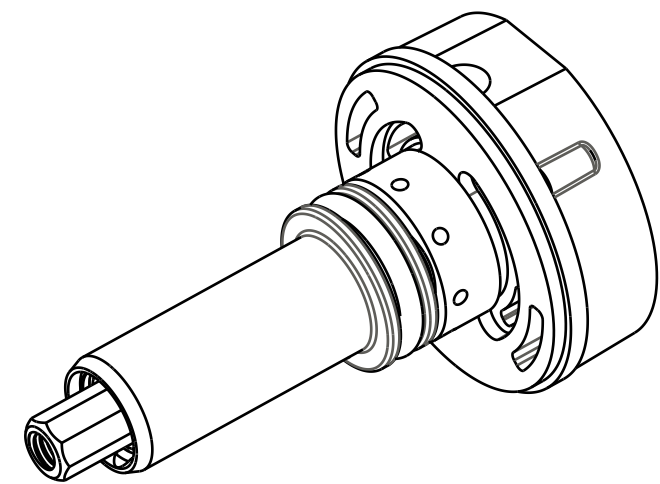


4

3

2

1



Retaining Ring: Wire [0.340 OD X 0.024" Wire] 17-7 SST

038-01-071

GREASE:
THIN LAYER
OF SLICK HONEY

210-22-949
Shaft, Compression Selector, RC, FIT4

222-01-290
Piston, Compression, FIT4, Dished, Zinc, Die Cast

210-22-919
Compression Adjust Needle, F-S, FIT4

GREASE:
THIN LAYER
OF SLICK HONEY

210-22-920
Compression Adjust Coupler, F-S, FIT4

210-22-929
Lockout Selector, RC, FIT4

039-00-241
Spring: Wave [.322 ID x .420 OD, 3 Waves] SS

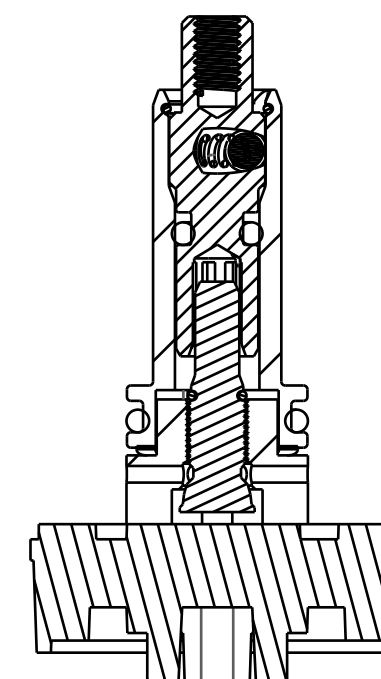
029-08-041
Seals: O-Ring [9.0MM ID x 1.5MM CS] Metric, N-70, Dynamic

029-08-068
Seals: O-Ring [3.0MM ID x 1.5MM CS] Metric, N-70, Static

010-01-012
Ball [Ø.1094]

039-00-347
Spring [.150TLG X .080 OD X 68LB/IN]

038-01-073
Retaining Ring: Wire [.280 OD X .024 CS] SS



FOX **FOX Factory, Inc.** Ph 831-768-1100
130 Hangar Way, Watsonville, CA 95076 USA Fax 831-768-9312

TITLE
**2016 FIT4 RC
TOP CAP PARTS**

SIZE DWG. NO.
C 820-03-471-KIT

PLOT SCALE 2.00:1

SHEET 1 OF 1

PROPRIETARY -
THIS DOCUMENT CONTAINS CONFIDENTIAL, PROPRIETARY INFORMATION
THAT IS FOX PROPERTY. DO NOT DISCLOSE TO OR DUPLICATE
FOR OTHERS EXCEPT AS AUTHORIZED BY FOX.

4

3

2

ProE ASSEM