

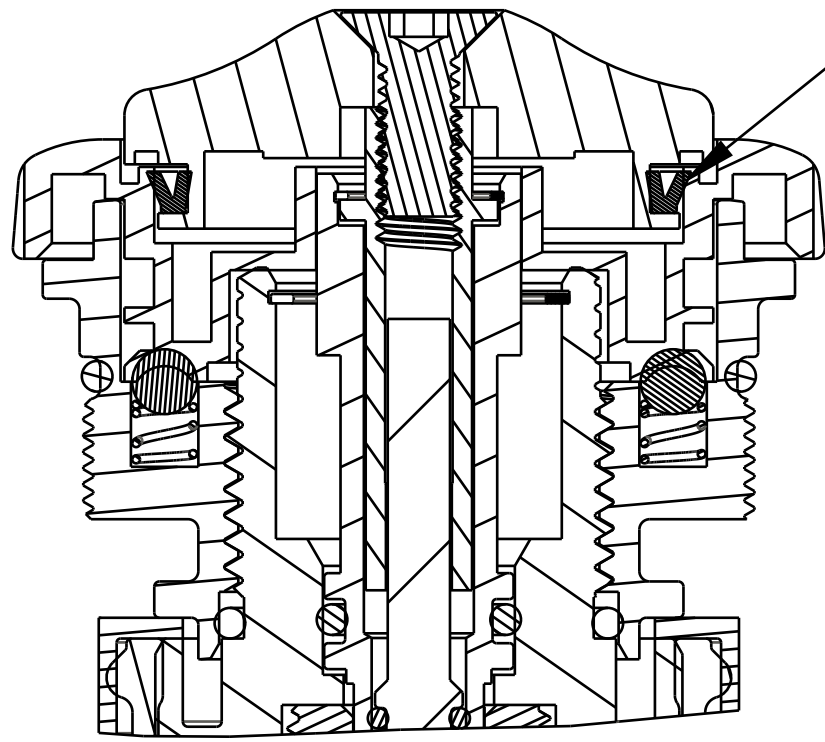
4

3

2

1

IMPORTANT:
NOTE ORIENTATION OF
U-CUP SEALS



- 241-00-020 Fastener, Custom: Cover, Nut 011 RC2
- 029-08-053 Seals: O-Ring [15mm ID x 1.5mm CS] Metric, N-70, Static
- 241-00-022 Fastener, Custom: Nut, Bottom, 011 RC2
- 241-01-011 Fastener, Custom: Crush Washer, Plastic, 13mm

TORQUE:
5±1 IN.LB.

TORQUE:
50±5 IN.LB.

018-01-007 Socket Set Half Dog Point Screw [#8-32 X 0.250 TLG]

210-03-120 REBOUND KNOB

GREASE:
THIN LAYER ON MATING
KNOB SURFACES

GREASE:
THIN LAYER ON MATING
OF SLICK HONEY

GREASE:
THIN LAYER

TORQUE:
220±5 IN.LB.

039-00-005 Spring: [0.125 TLG X 0.125 OD X 36.45 lbs/in]

GREASE:
THIN LAYER ON MATING
OF SLICK HONEY

010-01-000 Ball [Ø 0.1250] Steel

TORQUE:
11±3 IN.LB.

210-03-194 Knob, High Speed, Compression, 2014 RC2

036-01-074 Seal: U-Cup, Shore 70A, 2014 RC2, Low-Speed

210-03-193 Knob, Low Speed, Compression, 2014 RC2

019-01-060 Fastener, Standard (Metric): Screw [M4 X 10mm] Socket Flathead, Patchlock

FOX FOX Factory, Inc. Ph 831-768-1100
130 Hangar Way, Watsonville, CA 95076 USA Fax 831-768-9312

TITLE
**2016 40 RC2
Cartridge, Complete**

SIZE DWG. NO. **820-08-640-KIT**

PLOT SCALE 0.50:1 SHEET 1 OF 1

PROPRIETARY - THIS DOCUMENT CONTAINS CONFIDENTIAL, PROPRIETARY INFORMATION THAT IS FOX PROPERTY. DO NOT DISCLOSE TO OR DUPLICATE FOR OTHERS EXCEPT AS AUTHORIZED BY FOX.

4

3

2

ProE ASSEM