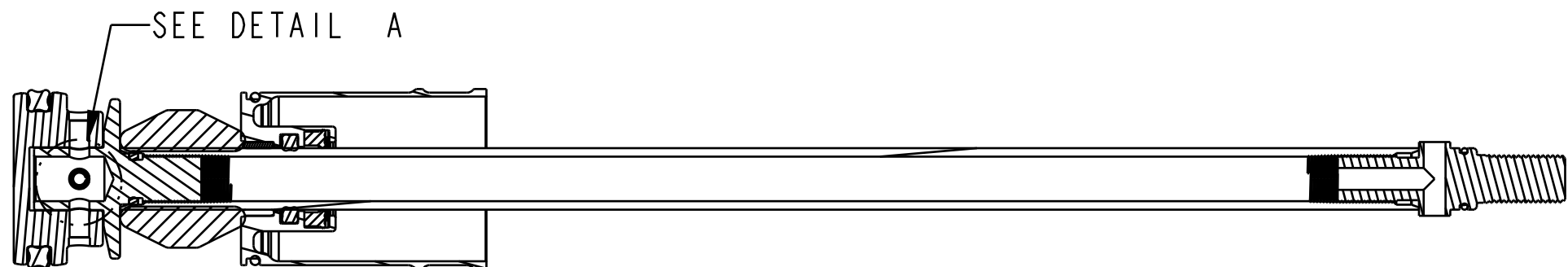


4

3

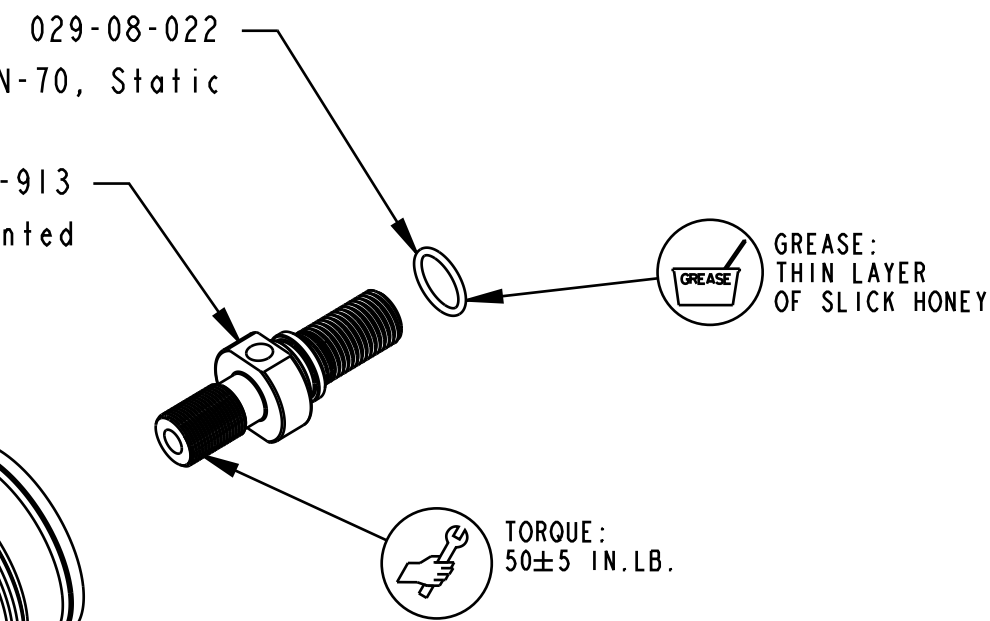
2

1



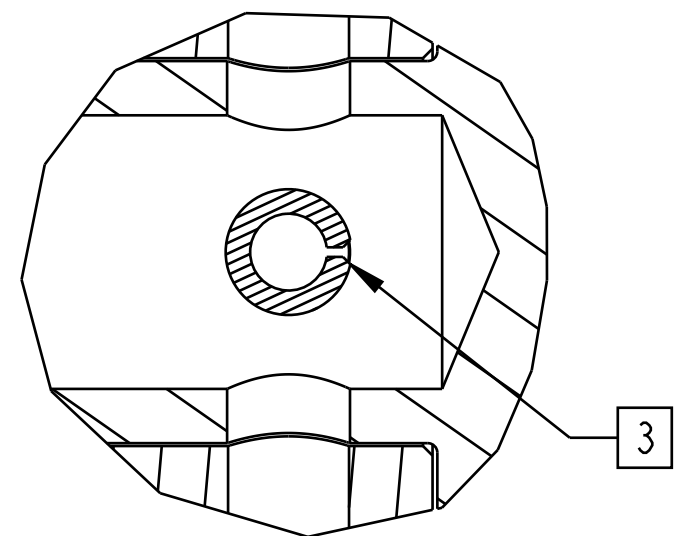
SECTION A-A

Seals: O-Ring [8.0MM ID x 1.0MM CS] Metric, N-70, Static
 234-04-913
 Base Stud: FLOAT NA 2, External Thread, Vented



GREASE:
THIN LAYER
OF SLICK HONEY

TORQUE:
50±5 IN.LB.



DETAIL A
SCALE 5:1

3 ORIENT GAP IN PIN TOWARDS BASE STUD ±15°

TORQUE:
50±5 IN.LB.

GREASE:
THIN LAYER
OF SLICK HONEY

LOCTITE:
1-2 DROPS
RED 262

GREASE:
THIN LAYER
OF SLICK HONEY

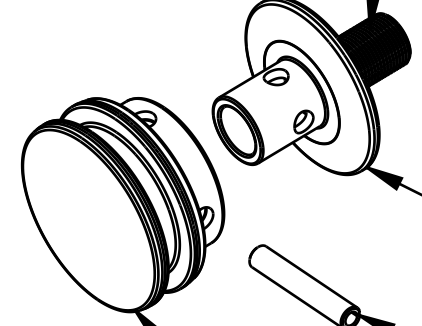
LOCTITE:
1-2 DROPS
RED 262

820-02-385-KIT
NEG PLATE SUBASSEMBLY

234-04-629
Topout Bumper, FLOAT NA

229-10-407
SHAFT, INTERNALLY THREADED

035-06-212
SEAL: Q-RING



LOCTITE:
1-2 DROPS
RED 262

029-08-060
Seals: O-Ring [6.0mm ID x 1.5mm CS] Metric, N-70, Static

234-04-652
Base Stud: Float, 0.305-48 Thread

NOTE: PRESS IN PIN UNTIL CENTERED 3

060-01-002
Pin: Spring [Ø 0.125 X 0.750 TLG] Spring Steel, Zinc

222-01-285
PISTON, FLOAT NA 2

NOTE: VERIFY SEAL IS NOT TWISTED AFTER INSTALL

FOX FOX Factory, Inc. Ph 831-768-1100
130 Hangar Way, Watsonville, CA 95076 USA Fax 831-768-9312

TITLE
**Air Shaft Assy, Short Travel,
FLOAT NA 2,**

SIZE DWG. NO. **820-02-384-KIT**

PLOT SCALE 1:1:1 SHEET 1 OF 1

PROPRIETARY - THIS DOCUMENT CONTAINS CONFIDENTIAL, PROPRIETARY INFORMATION THAT IS FOX PROPERTY. DO NOT DISCLOSE TO OR DUPLICATE FOR OTHERS EXCEPT AS AUTHORIZED BY FOX.

4

3

2

ProE ASSEM