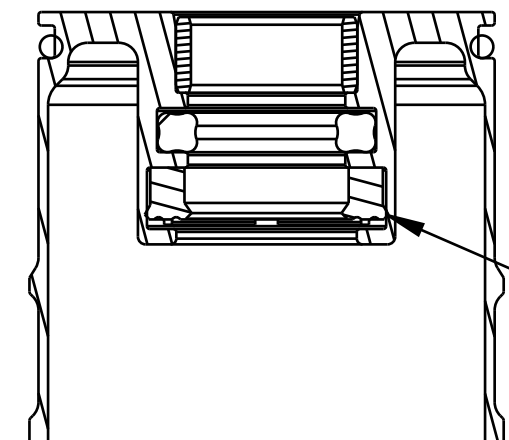
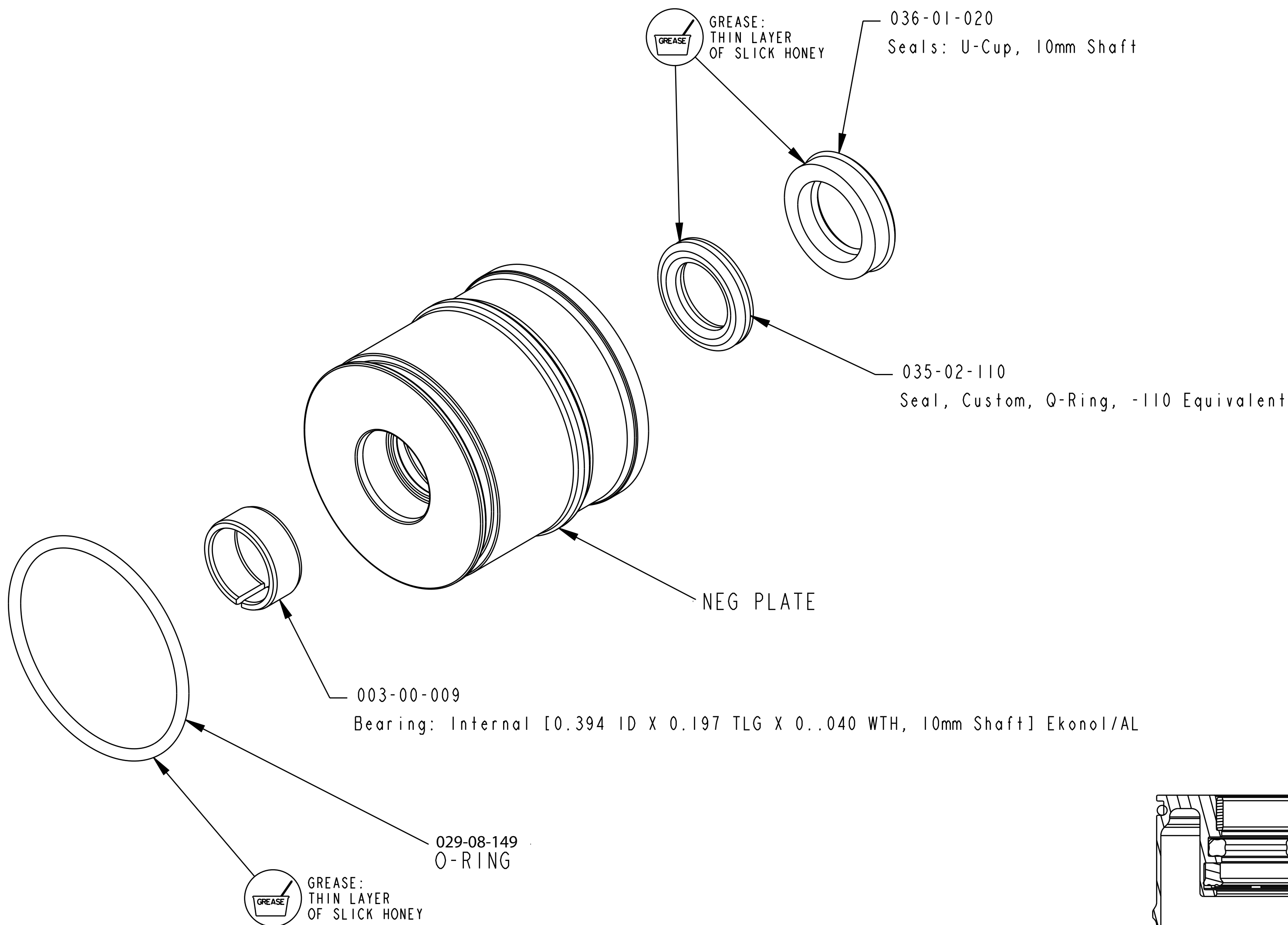


4

3

2

1



IMPORTANT:
NOTE ORIENTATION
OF U-CUP SEAL

SECTION A-A

PROPRIETARY
THIS DOCUMENT CONTAINS CONFIDENTIAL, PROPRIETARY INFORMATION
THAT IS FOX PROPERTY. DO NOT DISCLOSE TO OR DUPLICATE
FOR OTHERS EXCEPT AS AUTHORIZED BY FOX.

FOX		FOX Factory, Inc.	Ph 831-768-1100
		130 Hangar Way, Watsonville, CA 95076 USA	Fax 831-768-9312
TITLE	Neg Plate, FLOAT NA 2		
SIZE	DWG. NO.	820-02-385-KIT	
C	PLOT SCALE	2.00:1	SHEET 1 OF 1

4

3

2

1