

D

D

C

C

B

B

A

A

210-24-034
Compression Piston Clamp, FIT4, Lightweight

045-00-150
Valve: Metric [15mm OD X 8mm ID X .15mm]

039-00-205
Spring, Comp. Check

040-12-060
Valve: [.600 OD X 0.377 ID X 0.012 TH]

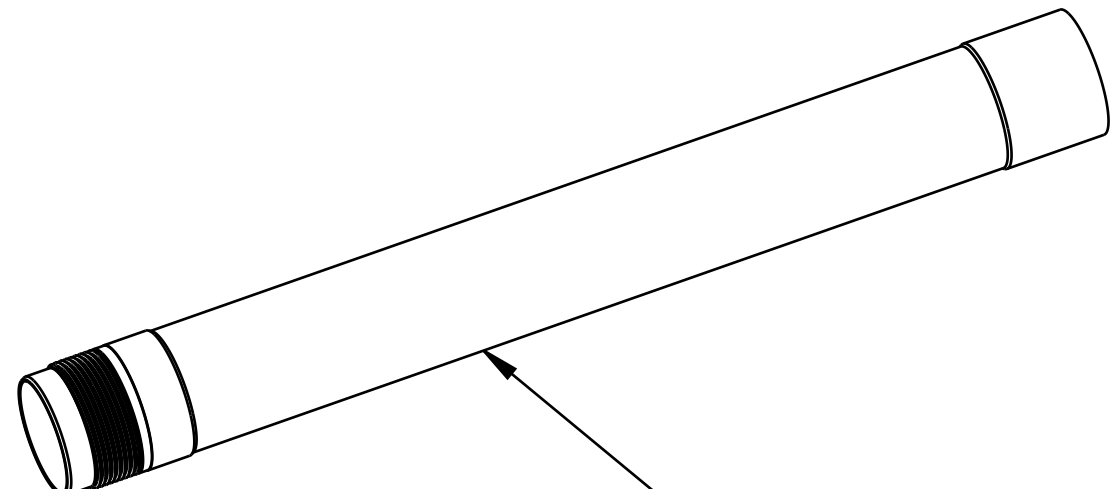
038-00-142
Retaining Ring: Snap, Smalley, Internal, VH-62 , Ø.610 Bore



IMPORTANT:
THIN VALVE FACES
COMPRESSION CLAMP

IMPORTANT:
SMALL DIAMETER OF SPRING
FACES COMPRESSION CLAMP

IMPORTANT:
THICKER VALVE FACES
RETAINING RING



207-11-130
PRESSURE TUBE

210-22-303
BLADDER

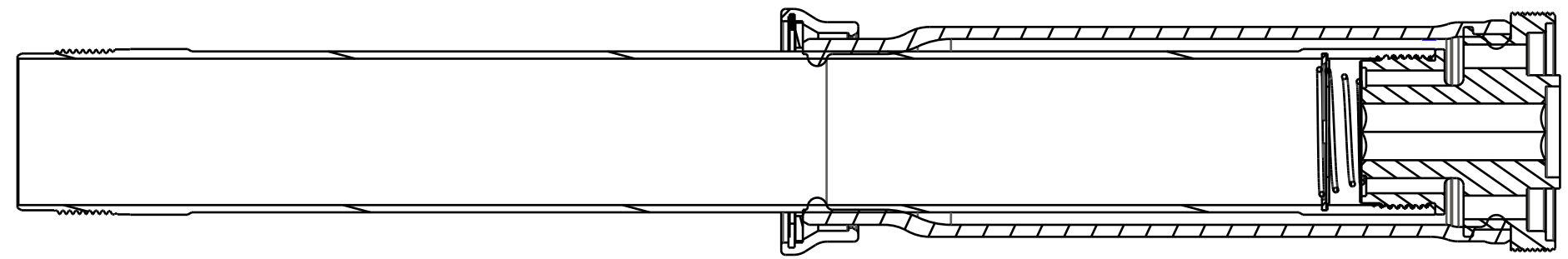
GREASE:
THIN LAYER OF SLICK HONEY
ON ID AND OD OF BLADDER

IMPORTANT:
ENSURE RETAINING RING
FULLY SEATED FULL 360 DEG

210-22-420
Lower Bladder Ring, Snap Ring, 011 RC2

241-01-029
Bladder retainer, 011 RC2

038-00-065
Retaining Ring: Snap, Smalley, Internal, Custom, Ø.923 BORE



- PROPRIETARY -
THIS DOCUMENT CONTAINS CONFIDENTIAL, PROPRIETARY INFORMATION
THAT IS FOX PROPERTY. DO NOT DISCLOSE TO OR DUPLICATE
FOR OTHERS EXCEPT AS AUTHORIZED BY FOX.

		FOX Factory, Inc.	Ph 831-768-1100
		130 Hangar Way, Watsonville, CA 95076 USA	Fax 831-768-9312
TITLE			
2017 Lightweight FIT4 Bladder Assy			
SIZE		DWG. NO.	
C		820-03-281-KIT	
PLOT SCALE .50 : 1		SHEET OF 1	