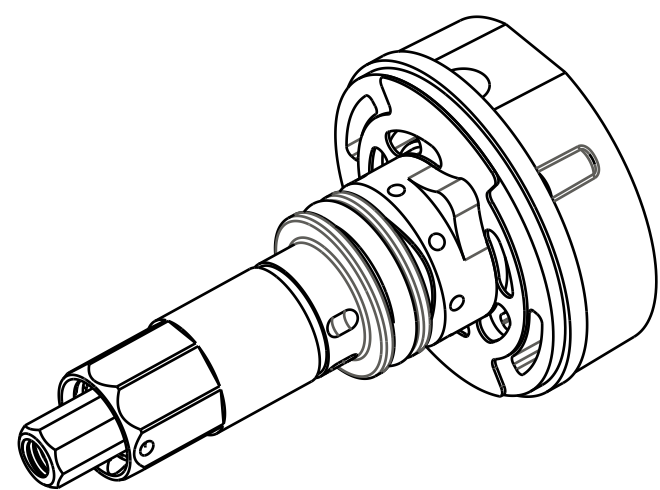


4

3

2

1



1 ENSURE SLOT ON BUTTERFLY VALVE (210-22-882) LINE UP WITH HOLES ON COMPRESSION PISTON (222-01-290)

1 210-24-004
Butterfly Valve, FIT4, Large Tabs

038-01-071
Retaining Ring: Wire [0.340 OD X 0.024" Wire] 17-7 SST

GREASE:
THIN LAYER
OF SLICK HONEY

210-22-918
SHAFT, COMPRESSION SELECTOR, F-S, FIT4

GREASE:
THIN LAYER
OF SLICK HONEY

222-01-290
Piston, Compression, FIT4, Dished, Zinc, Die Cast

210-22-919
Compression Adjust Needle, F-S, FIT4

4 210-22-920
Compression Adjust Coupler, F-S, FIT4

210-22-921
Lockout Selector, F-S, FIT4

039-00-241
Spring: Wave [1.322 ID x .420 OD, 3 Waves] SS

029-08-041
Seals: O-Ring [9.0MM ID x 1.5MM CS] Metric, N-70, Dynamic

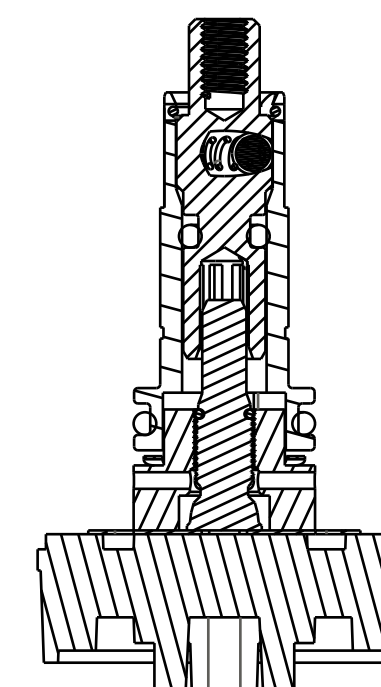
029-08-068 4
Seals: O-Ring [3.0MM ID x 1.5MM CS] Metric, N-70, Static

010-01-012 4
Ball [Ø.1094]

039-00-243 4
Spring: Detent [.138 TLG, .087 OD, 48 lb/in]

4 038-01-073
Retaining Ring: Wire [1.280 OD X .024 CS] SS

4 ASSEMBLE THESE PARTS AFTER OIL FILL, SEE ASSEMBLY DRAWING 610-23-027



PROPRIETARY
THIS DOCUMENT CONTAINS CONFIDENTIAL, PROPRIETARY INFORMATION
THAT IS FOX PROPERTY. DO NOT DISCLOSE TO OR DUPLICATE
FOR OTHERS EXCEPT AS AUTHORIZED BY FOX.

FOX Factory, Inc. Ph 831-768-1100
130 Hangar Way, Watsonville, CA 95076 USA Fax 831-768-9312

TITLE
**2016 FIT4 F-S
TOP CAP PARTS**

SIZE DWG. NO.
C 820-03-462-KIT

PLOT SCALE 2.00:1 SHEET 1 OF 1

4

3

2

ProE ASSEM