

Eyelet: DHX2, FloatX2, 6061-T6, Black Ano III

018-01-026
Screw [#6-32 X .250 TLG]

TORQUE:
14±2 IN LB

029-03-006
O-Ring (-006) [1.070 C.S. X .114 ID]

GREASE:
THIN LAYER
OF SLICK HONEY

Seals: O-Ring [(-023) .070 C.S. X 1.051 ID] Standard, N-70, Static

029-03-023

029-03-025
O-Ring (-025) [1.070 C.S. X 1.176 ID]

GREASE:
THIN LAYER
OF SLICK HONEY

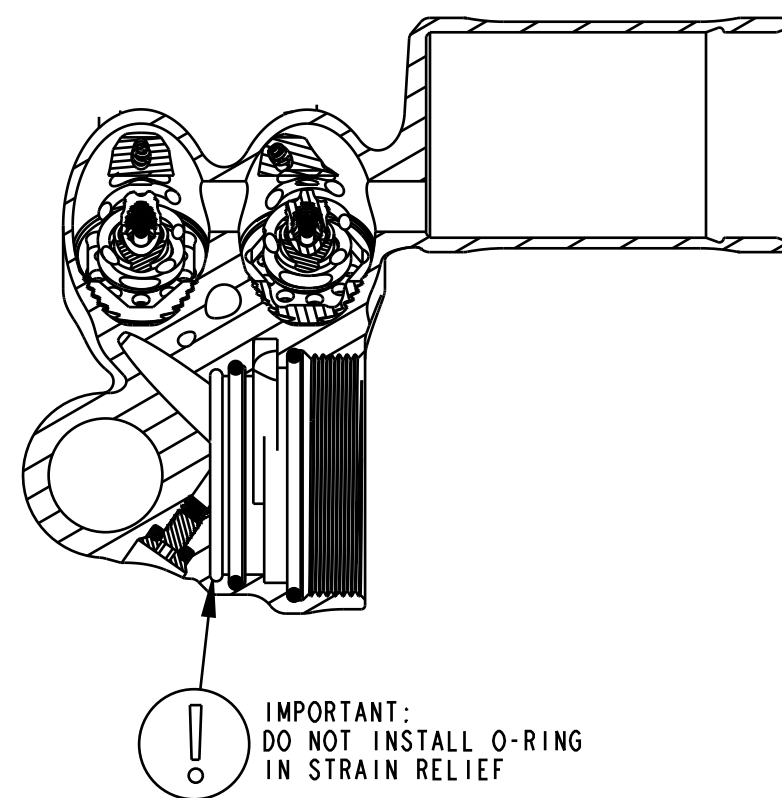
815-02-046-KIT
Valve Seat Assy: DHX2, Float X2

815-02-043-KIT
Damping Adj Assy: 2016 DHX2, FloatX2 Cartridge, RD

815-02-042-KIT
Damping Adj Assy: 2016 DHX2, FloatX2 Cartridge, CD

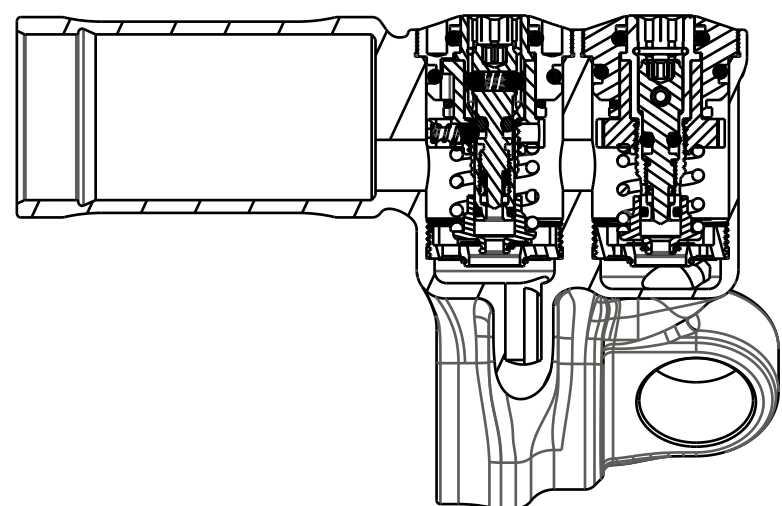
TORQUE:
80 IN.LB.
LEFT HAND THREAD

TORQUE:
80±5 IN.LB.



IMPORTANT:
DO NOT INSTALL O-RING
IN STRAIN RELIEF

SECTION B-B



SECTION C-C

- PROPRIETARY -
THIS DOCUMENT CONTAINS CONFIDENTIAL, PROPRIETARY INFORMATION
THAT IS FOX PROPERTY. DO NOT DISCLOSE TO OR DUPLICATE
FOR OTHERS EXCEPT AS AUTHORIZED BY FOX.

		FOX Factory, Inc.	Ph 831-768-1100
		130 Hangar Way, Watsonville, CA 95076 USA	Fax 831-768-9312
TITLE		Eyelet Assy: 2016 DHX2	
SIZE	DWG. NO.	808-17-183-KIT	
C			
PLOT SCALE .00 : 1		SHEET OF 1	