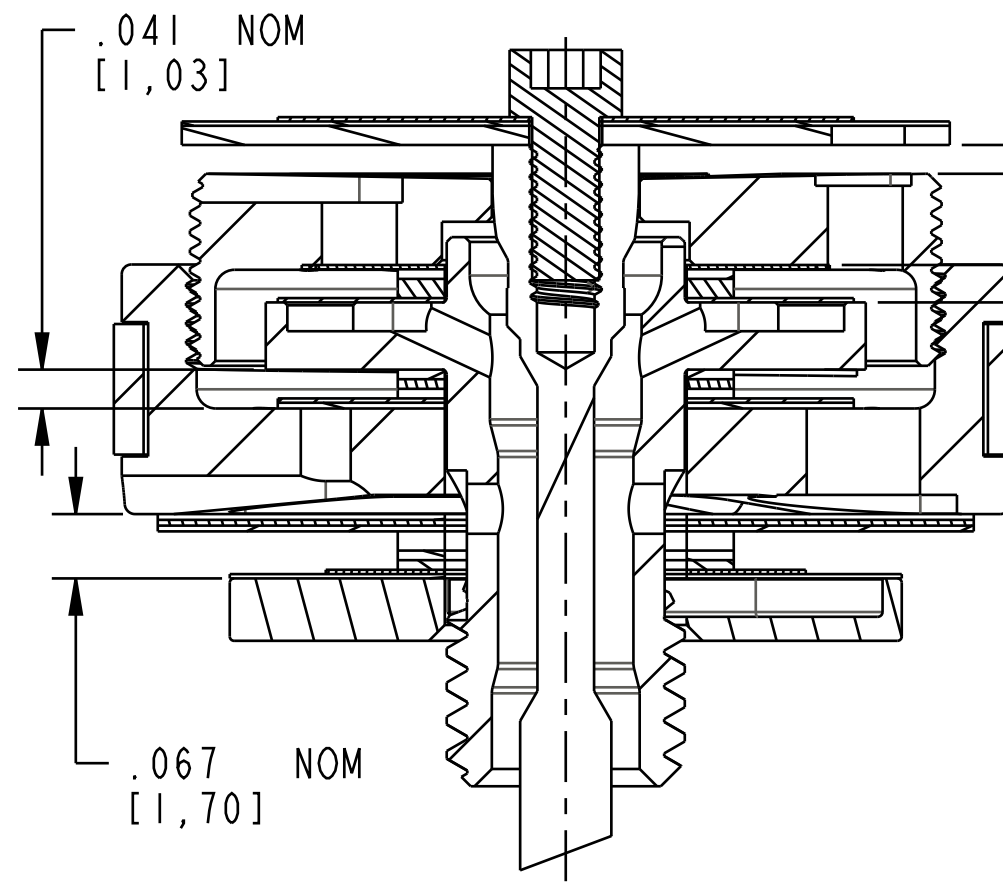


4

3

2

1



.041 NOM
[1,03]

.030-.047
[0,77-1,19]

.072-.090
[1,83-2,29]

.039
[0,99]

.067 NOM
[1,70]

PLATE LIFT FROM CLOSED TO MIDDLE POSITION, ALL NON REMOTES + 1RD

PLATE LIFT FROM CLOSED TO OPEN POSITION, ALL CABLE REMOTES EXCEPT NOTE 5

5 USE .030-.047 LIFT SPEC FROM CLOSED TO OPEN FOR REMOTES WITH 210-30-090 CAM (TREK)

Piston: Lockout, Float DPS [.200 TLG, M20 X 0.5] 416SS

Valve: [.0550 OD X 0.252 ID X 0.0045 TH]

(044-20-035) 4

(044-10-035) 4

(044-04-060)

210-10-104

Piston Bolt: Dish WRD w/ check [1/4-28 X 5/8 Hex]

(044-10-035) 3

(044-10-035)

TORQUE:
60±5 IN.LB.
Custom Socket: 398-00-637

(044-06-085)

044-06-085

Valve: [.850 X .252 X .006]

(044-10-035) 2

044-04-060

Valve: [.600 OD X .252 ID X .0045 TH]

044-06-060

Valve: [.600 X .252 X .006]

805-02-031

Piston Assembly: 2016 Float DPS, [Ø 0.940 Bore] w/ Glyde Ring

044-20-035 2

Valve: [.350 OD X .252 ID X .020 TH]

044-10-035 2

Valve: [.350 OD X .252 ID X 0.010 TH]

044-04-050

Valve: [.500 OD X .252 ID X .0045 TH]

044-04-070

Valve: [.700 OD X .252 ID X .0045 TH]

210-10-098

Damping Adjust Part: Float MY2013 Check Piston [.740 OD X .252 ID X .110 TH]

NOTES: (UNLESS OTHERWISE SPECIFIED)

- 1. SHOCK SHOULD HAVE 12-15 REBOUND CLICKS
- 2. 1 OR 2 SPACERS MAY BE ADDED OR REMOVED TO ADJUST NUMBER OF REBOUND CLICKS .030" MIN SPACING
- 3. 1 OR 2 SPACERS MAY BE ADDED OR REMOVED TO ADJUST NUMBER OF REBOUND CLICKS .010" MIN SPACING
- 4. 1 OR 2 SPACERS MAY BE ADDED OR REMOVED TO ADJUST LOCKOUT PLATE LIFT .010" MIN SPACING

FOX FOX Factory, Inc. Ph 831-768-1100
130 Hangar Way, Watsonville, CA 95076 USA Fax 831-768-9312

TITLE
**Valving Assy: 2016 Float DPS,
CM, RM, CML [.940 Bore]**

SIZE DWG. NO.
C 807-06-163-KIT

PLOT SCALE 2.00:1 SHEET 1 OF 1

PROPRIETARY
THIS DOCUMENT CONTAINS CONFIDENTIAL, PROPRIETARY INFORMATION
THAT IS FOX PROPERTY. DO NOT DISCLOSE TO OR DUPLICATE
FOR OTHERS EXCEPT AS AUTHORIZED BY FOX.

4

3

2

ProE ASSEM