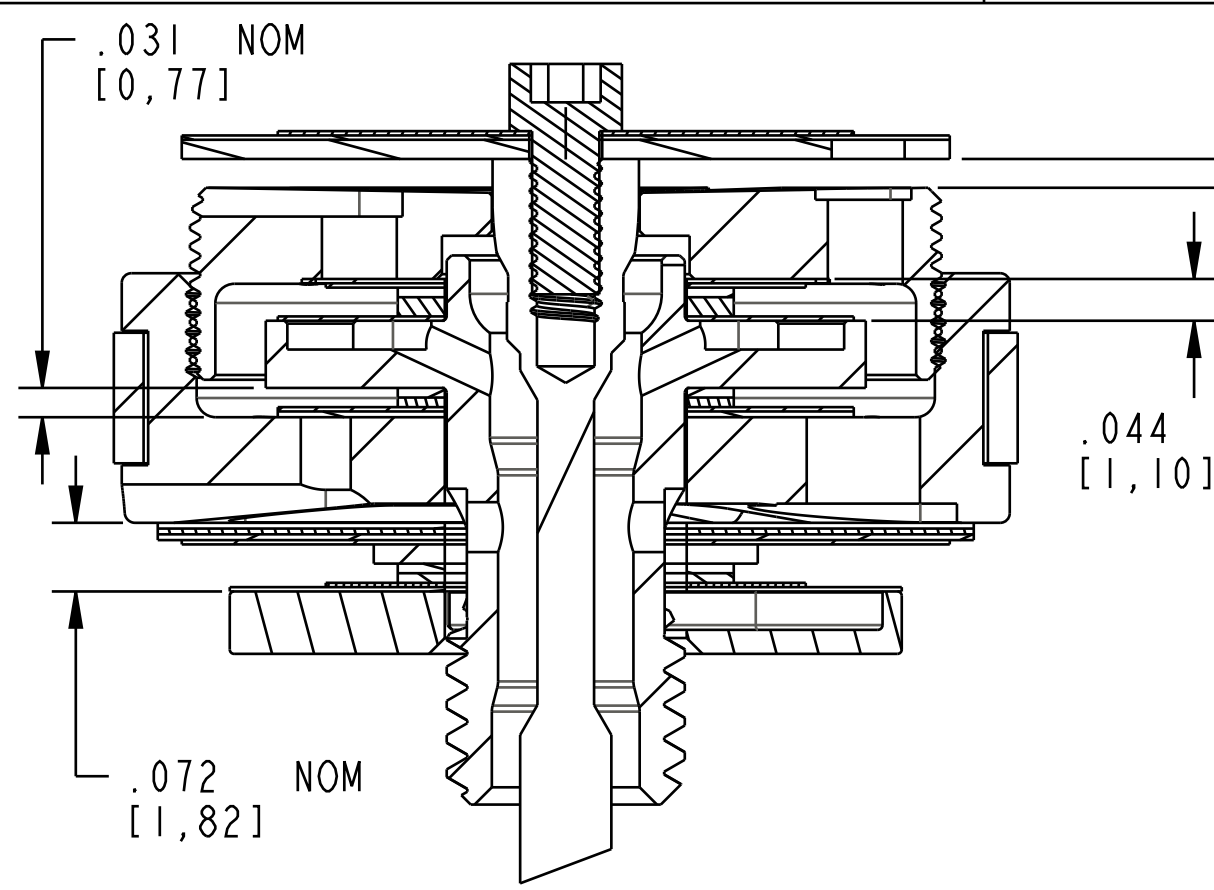


4

3

2

1



.030-.047 [0,77-1,19] PLATE LIFT FROM CLOSED TO MIDDLE POSITION, ALL NON REMOTES + 1RD
 .072-.090 [1,83-2,29] PLATE LIFT FROM CLOSED TO OPEN POSITION, ALL CABLE REMOTES EXCEPT NOTE [5]

[5] USE .030-.047 LIFT SPEC FROM CLOSED TO OPEN FOR REMOTES WITH 210-30-090 CAM (TREK)
 Piston: Lockout, Float DPS [.200 TLG, M20 X 0.5] 416SS

044-04-055 Valve: [0.550 OD X 0.252 ID X 0.0045 TH]
 044-04-050 Valve: [.500 OD X .252 ID X .0045 TH]

Piston Bolt: Dish WRD w/ check [1/4-28 X 5/8 Hex]

210-10-104 (044-10-035) [3]

(044-10-035) [4]

(044-04-060)

TORQUE: 22±2 IN.LB. Custom socket: 398-00-638

TORQUE: 60±5 IN.LB. Custom Socket: 398-00-637

044-06-085 Valve: [.850 X .252 X .006]

044-04-060 Valve: [.600 OD X .252 ID X .0045 TH]

044-06-060 Valve: [.600 X .252 X .006]

805-02-031 Piston Assembly: 2016 Float DPS, [Ø 0.940 Bore] w/ Glyde Ring

044-04-080 Valve: [.800 OD X .252 ID X .0045 TH]

050-01-011 [2] Plate: Back-Up [0.400 OD X 0.252 ID X 0.020 TH, Ø 0.375 Shaft] Steel

044-10-035 [2] Valve: [.350 OD X .252 ID X 0.010 TH]

044-04-050 Valve: [.500 OD X .252 ID X .0045 TH]

044-04-070 Valve: [.700 OD X .252 ID X .0045 TH]

210-10-098 Damping Adjust Part: Float MY2013 Check Piston [.740 OD X .252 ID X .110 TH]

- NOTES: (UNLESS OTHERWISE SPECIFIED)
 1. SHOCK SHOULD HAVE 12-15 REBOUND CLICKS
 [2] 1 OR 2 SPACERS MAY BE ADDED OR REMOVED TO ADJUST NUMBER OF REBOUND CLICKS .030" MIN SPACING
 [3] 1 OR 2 SPACERS MAY BE ADDED OR REMOVED TO ADJUST NUMBER OF REBOUND CLICKS .010" MIN SPACING
 [4] 1 OR 2 SPACERS MAY BE ADDED OR REMOVED TO ADJUST LOCKOUT PLATE LIFT .010" MIN SPACING

FOX Factory, Inc. Ph 831-768-1100
 130 Hangar Way, Watsonville, CA 95076 USA Fax 831-768-9312
 TITLE: Valving Assy: 2016 Float DPS, CF, RM, CMF [.940 Bore]
 SIZE DWG. NO. C 807-06-165-KIT
 PLOT SCALE 2.00:1 SHEET 1 OF 1

PROPRIETARY - THIS DOCUMENT CONTAINS CONFIDENTIAL, PROPRIETARY INFORMATION THAT IS FOX PROPERTY. DO NOT DISCLOSE TO OR DUPLICATE FOR OTHERS EXCEPT AS AUTHORIZED BY FOX.

4

3

2

ProE ASSEM