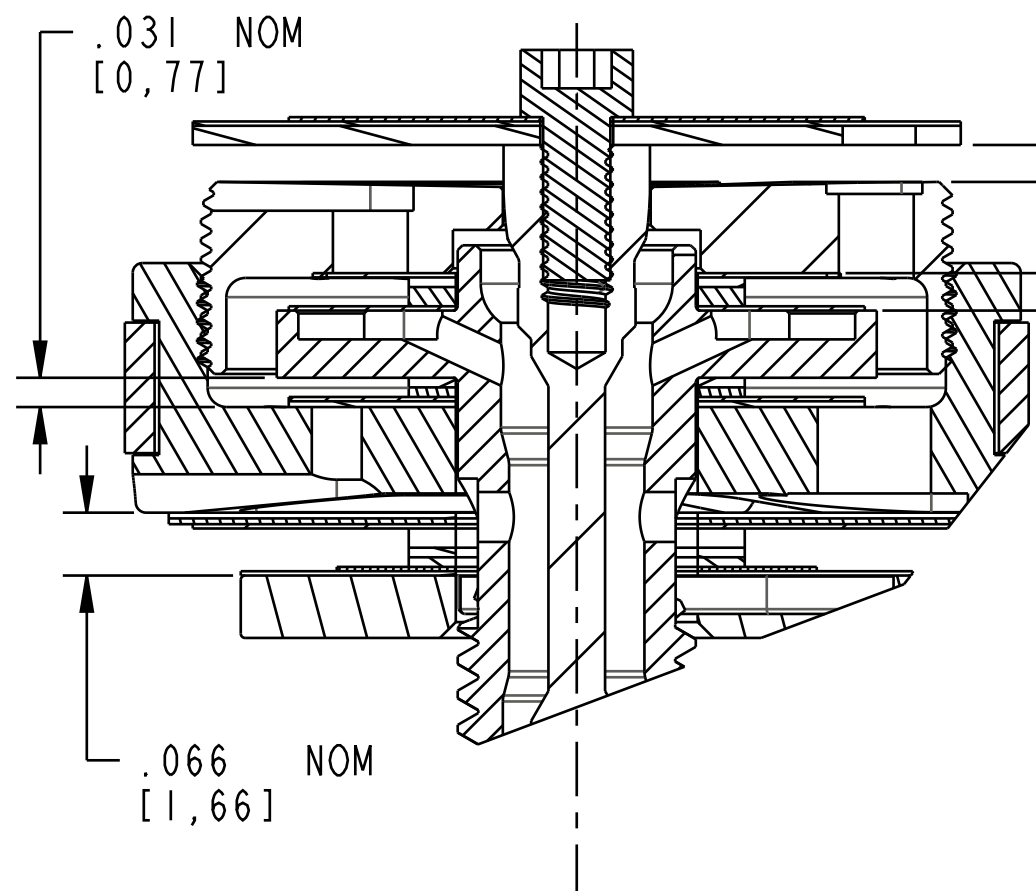


4

3

2

1



.030-.047 [0,77-1,19] PLATE LIFT FROM CLOSED TO MIDDLE POSITION, ALL NON REMOTES + IRD
 .072-.090 [1,83-2,29] PLATE LIFT FROM CLOSED TO OPEN POSITION, ALL CABLE REMOTES EXCEPT NOTE [5]
 [5] USE .030-.047 LIFT SPEC FROM CLOSED TO OPEN FOR REMOTES WITH 210-30-090 CAM (TREK)

Piston: Lockout, Float DPS [.200 TLG, M20 X 0.5] 416SS

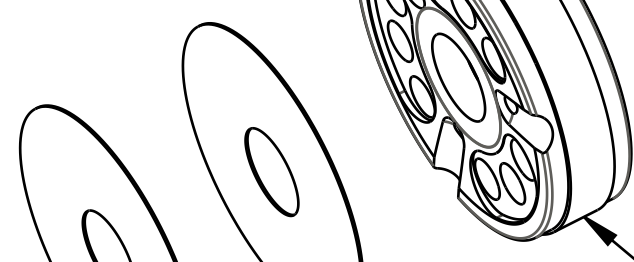
TORQUE: 22±2 IN.LB.
 Custom socket: 398-00-638

Piston Bolt: Dish WRD w/ check [1/4-28 X 5/8 Hex]

044-04-070
 Valve: [.700 OD X .252 ID X .0045 TH]

044-04-050
 Valve: [.500 OD X .252 ID X .0045 TH]

(044-10-035) [2]



044-04-060
 Valve: [.600 OD X .252 ID X .0045 TH]

044-06-060
 Valve: [.600 X .252 X .006]

805-02-031
 Piston Assembly: 2016 Float DPS, [Ø 0.940 Bore] w/ Glyde Ring

(044-06-085)

044-04-080
 Valve: [.800 OD X .252 ID X .0045 TH]

044-20-035 [2]
 Valve: [.350 OD X .252 ID X .020 TH]

044-10-035 [2]
 Valve: [.350 OD X .252 ID X 0.010 TH]

210-10-098
 Damping Adjust Part: Float MY2013 Check Piston [.740 OD X .252 ID X .110 TH]

- NOTES: (UNLESS OTHERWISE SPECIFIED)
 1. SHOCK SHOULD HAVE 12-15 REBOUND CLICKS
 [2] 1 OR 2 SPACERS MAY BE ADDED OR REMOVED TO ADJUST NUMBER OF REBOUND CLICKS .030" MIN SPACING
 [3] 1 OR 2 SPACERS MAY BE ADDED OR REMOVED TO ADJUST NUMBER OF REBOUND CLICKS .010" MIN SPACING
 [4] 1 OR 2 SPACERS MAY BE ADDED OR REMOVED TO ADJUST LOCKOUT PLATE LIFT .010" MIN SPACING

- PROPRIETARY -
 THIS DOCUMENT CONTAINS CONFIDENTIAL, PROPRIETARY INFORMATION THAT IS FOX PROPERTY. DO NOT DISCLOSE TO OR DUPLICATE FOR OTHERS EXCEPT AS AUTHORIZED BY FOX.

FOX Factory, Inc. Ph 831-768-1100
 130 Hangar Way, Watsonville, CA 95076 USA Fax 831-768-9312
 TITLE: Valving Assy: 2016 Float DPS, Scott CL+, RM, CML [.940 Bore]
 SIZE DWG. NO.: C 807-06-184-KIT
 PLOT SCALE: 2.00:1 SHEET 1 OF 1

4

3

2

1

ProE ASSEM