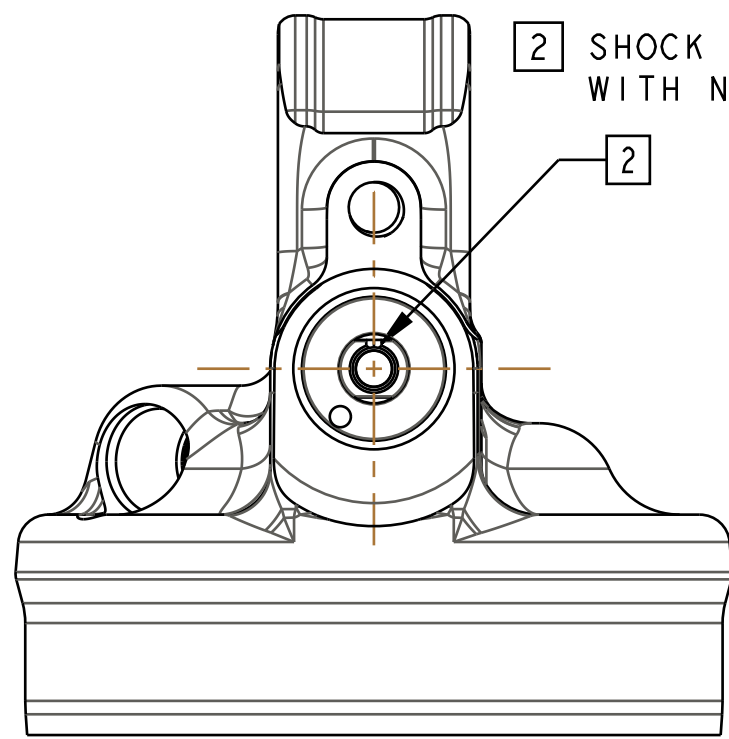


4

3

2

1



2 SHOCK ACTUATOR (820-09-001) TO BE INSTALLED WITH NOTCH ON CAM AT 6 O'CLOCK AS SHOWN.

802-00-007-KIT
Air Valve Assy: Slim [M6 X .75, 1.150 TLG]
010-00-025
Cap, Air Valve, Short [.305-.32] Black

OIL:
THIN LAYER
OF FLOAT FLUID

TORQUE:
35±5 IN.LB.

210-22-635
Cam: (T) RD Adj, 2013 CTD iRD CD [2.171 TLG, .090 Shaft] 416 SS

Eyelet, 2013 Float CTD Remote SV, Black Ano III

TORQUE:
25±5 IN.LB.

TORQUE:
7±2 IN.LB.

GREASE:
THIN LAYER
HI-TEMP GREASE (BLUE)

241-02-073
Fastener, Custom: ELO Screw, Black Zinc, Patchlock

TORQUE:
5±1 IN.LB.

029-08-079
Seals: O-Ring [7.5MM ID x 1.5MM CS] Metric, N-70, Static

029-00-030
Seals: O-Ring [(-030) .070 C.S. X 1.614 ID] Standard N674-70, Dynamic

210-30-054
Cam: CD Adj, 2016 Float DPS, iCTD

210-22-641
2013 IRD CD Adj Retaining Ring

019-01-092
Fastener, Standard (Metric): [M3 X 0.5 X 6mm] Pin-In-Torx, Buttonhead Cap Screw

210-22-642
2013 ELO Motor Bracket

029-08-022
Seals: O-Ring [8.0MM ID x 1.0MM CS] Metric, N-70, Static

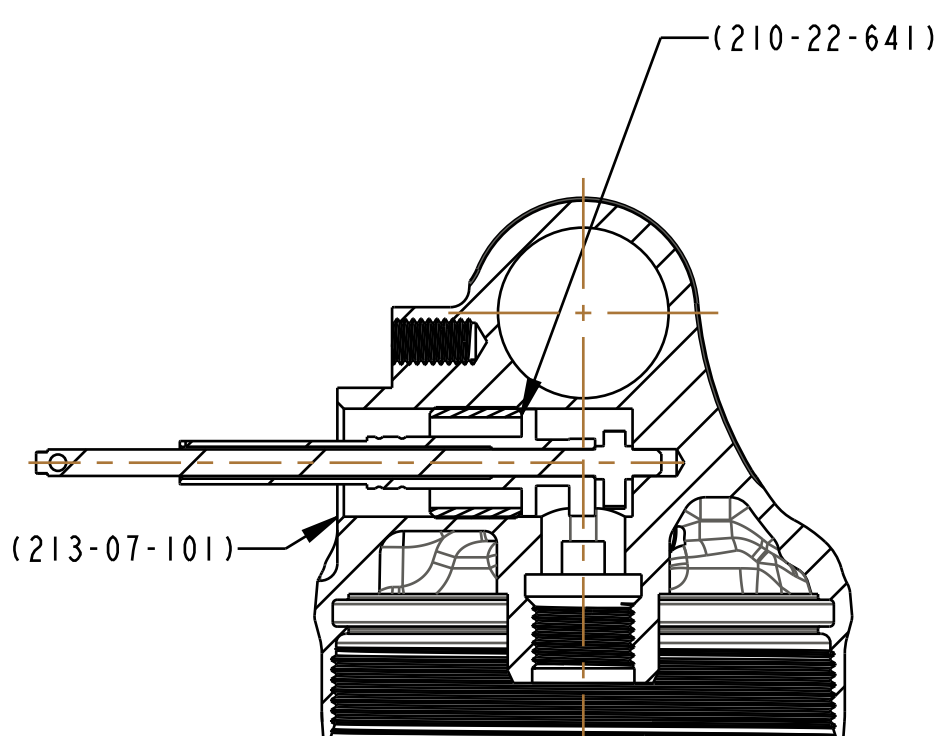
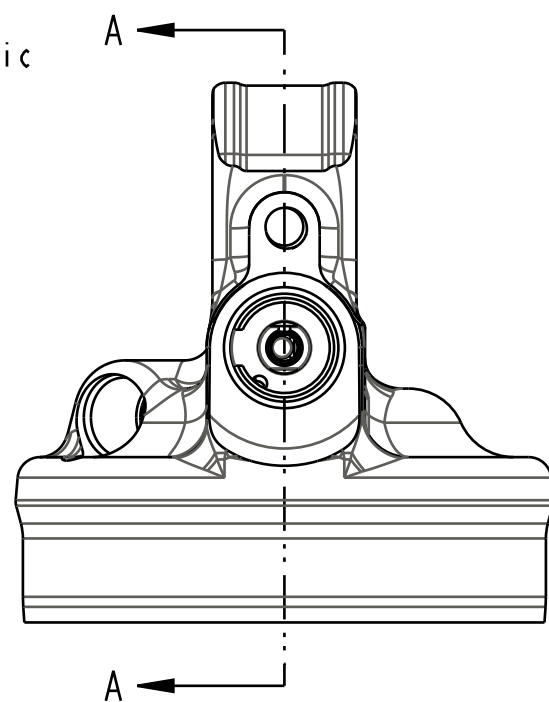
008-07-000
PAD, 2013 IRD CD SHOCK ACTUATOR

820-09-001
2015 iCTD Dish Valve Shock Actuator

029-08-033
Seals: O-Ring [13.5MM ID x 1.0MM CS] Metric, N-70, Static

019-01-006
Fastener, Standard (Metric): Screw [M3 x 4mm] SS Socket Set Cone Point

210-03-154
Knob, RD Adj, 2013 IRD CD



SECTION A-A
SCALE 3/2



PROPRIETARY
THIS DOCUMENT CONTAINS CONFIDENTIAL, PROPRIETARY INFORMATION
THAT IS FOX PROPERTY. DO NOT DISCLOSE TO OR DUPLICATE
FOR OTHERS EXCEPT AS AUTHORIZED BY FOX.

FOX Factory, Inc. Ph 831-768-1100
130 Hangar Way, Watsonville, CA 95076 USA Fax 831-768-9312

TITLE
**Eyelet Assy:
2016 FLOAT iCTD, DPS, SV**

SIZE DWG. NO.
C 808-17-207-KIT

PLOT SCALE 5/4 SHEET 1 OF 1

4

3

2

1

ProE ASSEM