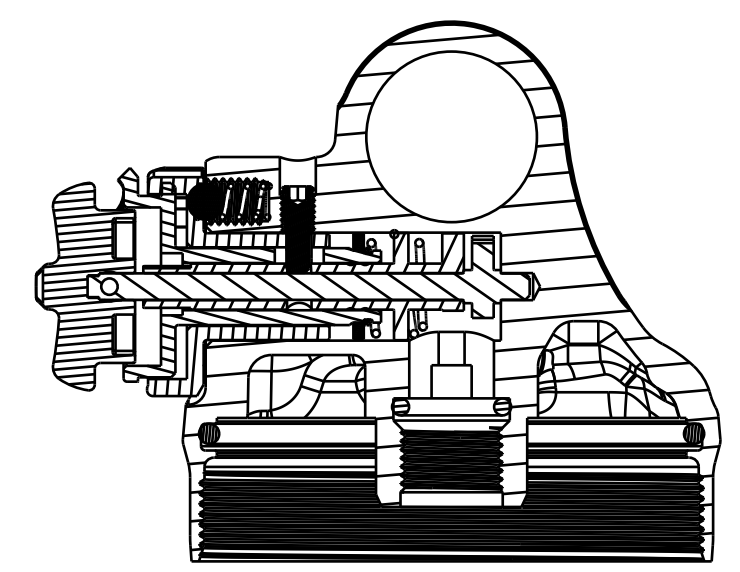
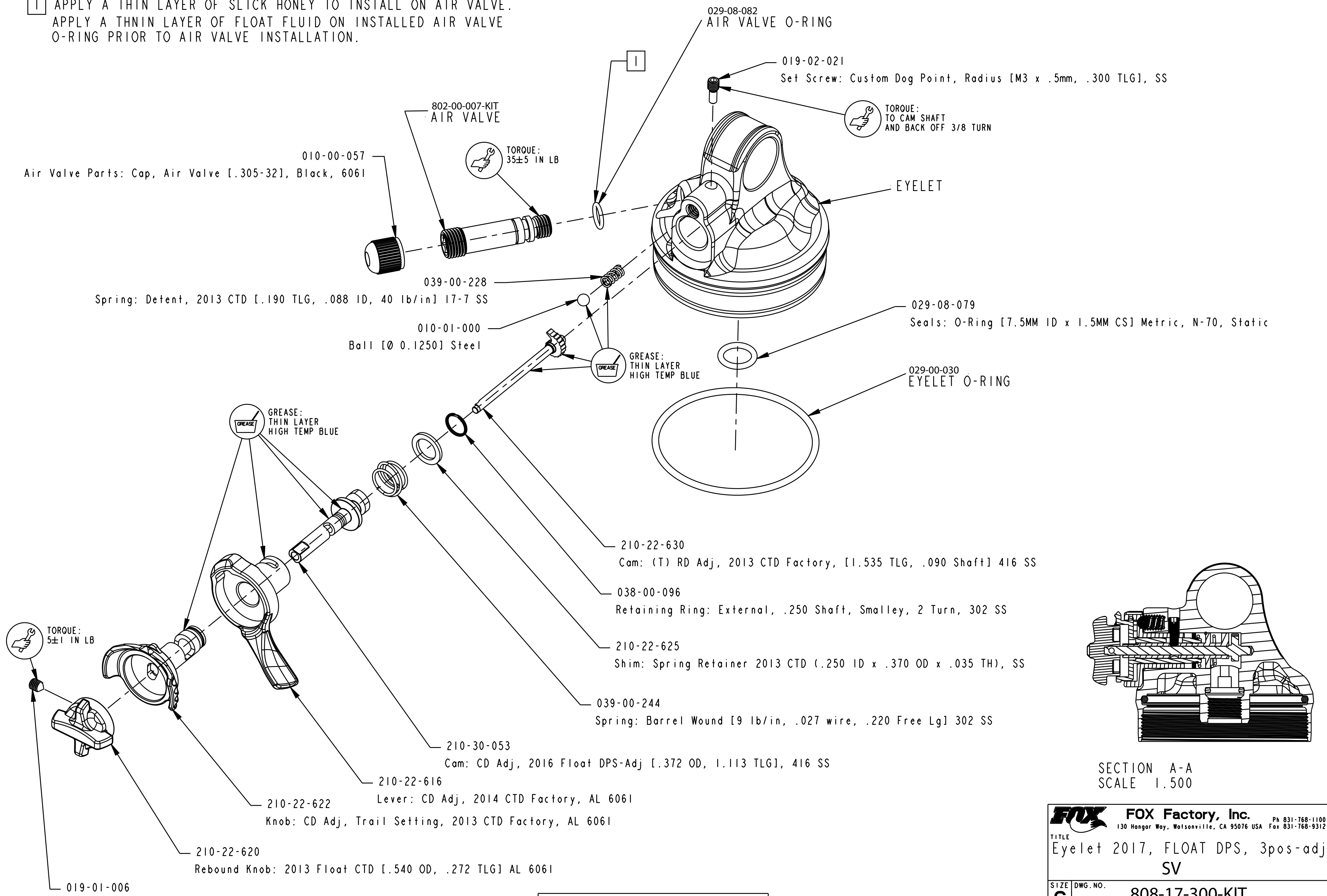


NOTES:

I APPLY A THIN LAYER OF SLICK HONEY TO INSTALL ON AIR VALVE.
 APPLY A THIN LAYER OF FLOAT FLUID ON INSTALLED AIR VALVE
 O-RING PRIOR TO AIR VALVE INSTALLATION.



SECTION A-A
SCALE 1.500

FOX FOX Factory, Inc.		Ph 831-768-1100
130 Hangar Way, Watsonville, CA 95076 USA		Fax 831-768-9312
TITLE Eyelet 2017, FLOAT DPS, 3pos-adj SV		
SIZE C	DWG. NO. 808-17-300-KIT	
PLOT SCALE .50:1	SHEET 1 OF 2	

PROPRIETARY -
 THIS DOCUMENT CONTAINS CONFIDENTIAL, PROPRIETARY INFORMATION
 THAT IS FOX PROPERTY. DO NOT DISCLOSE TO OR DUPLICATE
 FOR OTHERS EXCEPT AS AUTHORIZED BY FOX.