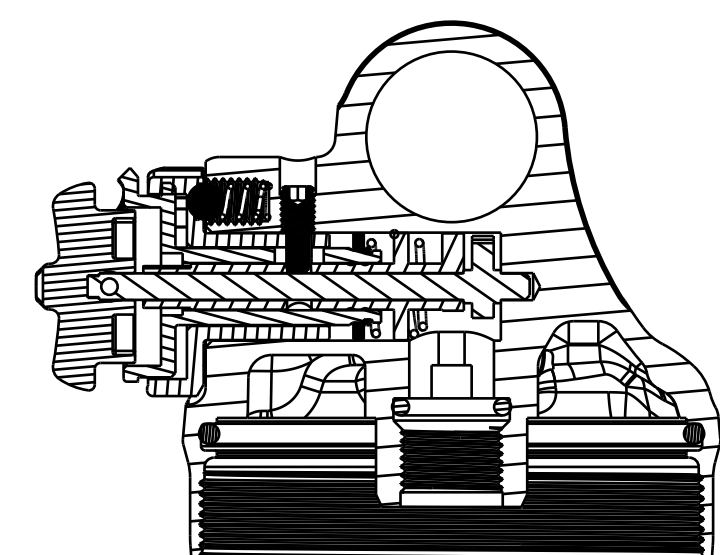
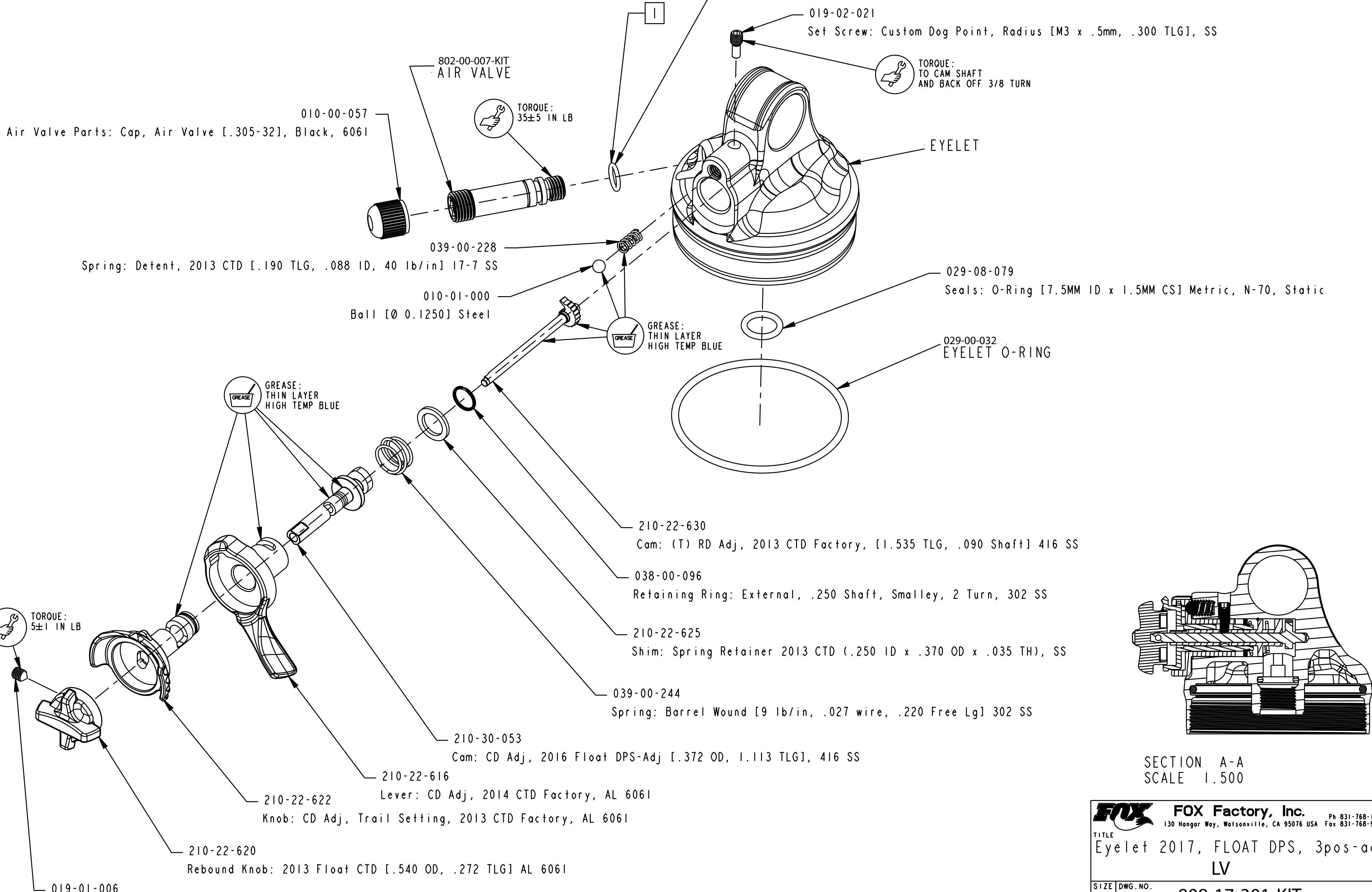


NOTES:

1 APPLY A THIN LAYER OF SLICK HONEY TO INSTALL ON AIR VALVE.
APPLY A THIN LAYER OF FLOAT FLUID ON INSTALLED AIR VALVE
O-RING PRIOR TO AIR VALVE INSTALLATION.



SECTION A-A
SCALE 1.500

FOX		FOX Factory, Inc.		Ph 831-768-1100
		130 Hangar Way, Watsonville, CA 95076 USA		Fax 831-768-9312
TITLE				
Eyelet 2017, FLOAT DPS, 3pos-adj				
LV				
SIZE	DWG. NO.	808-17-301-KIT		
C				
PLOT SCALE .50 : 1		SHEET 1 OF 2		

PROPRIETARY - THIS DOCUMENT CONTAINS CONFIDENTIAL, PROPRIETARY INFORMATION THAT IS FOX PROPERTY. DO NOT DISCLOSE TO OR DUPLICATE FOR OTHERS EXCEPT AS AUTHORIZED BY FOX.