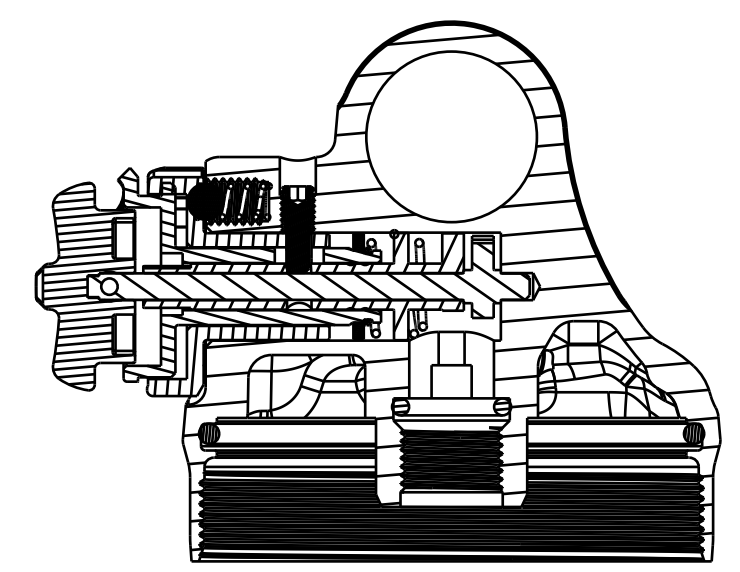
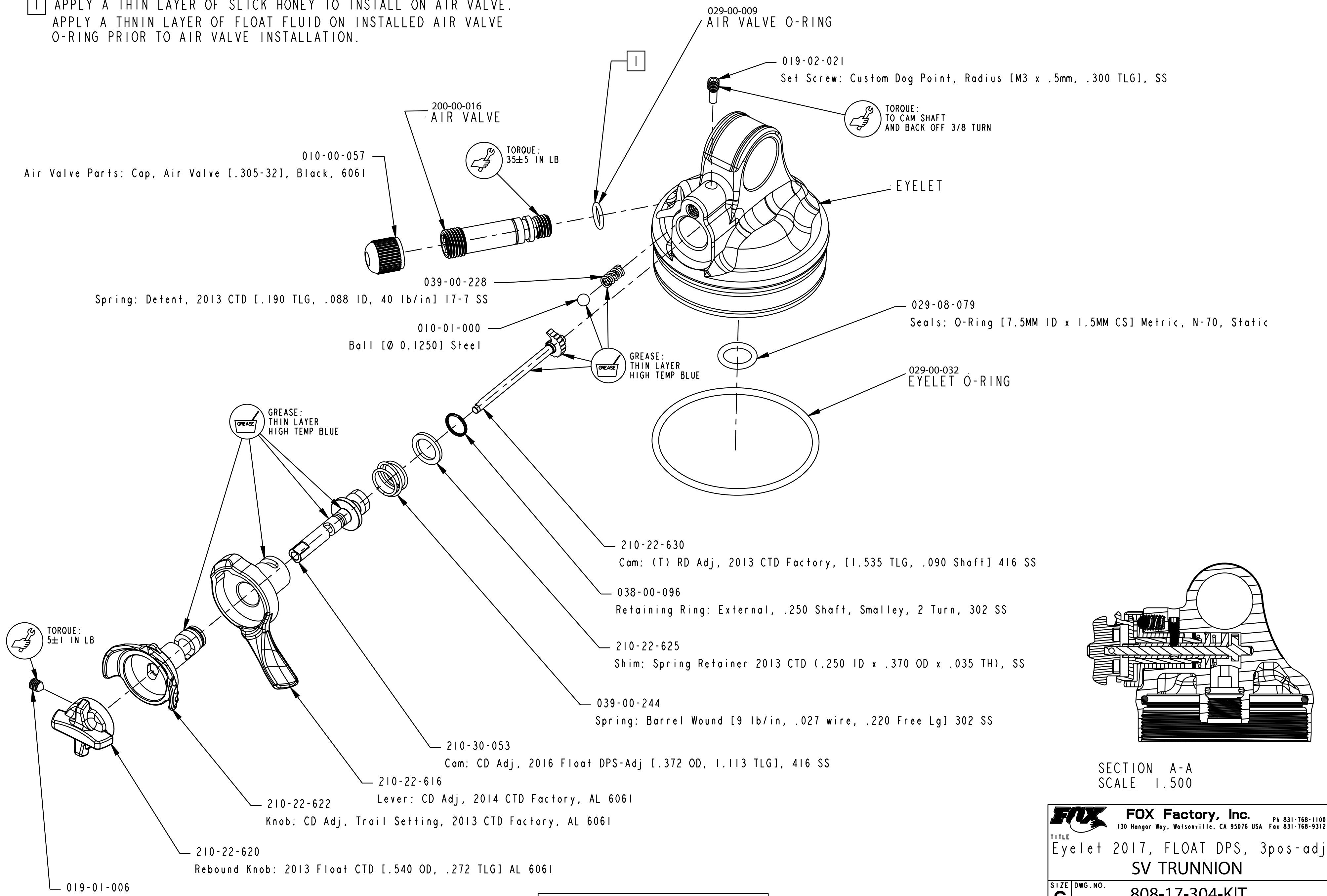


NOTES:

**I** APPLY A THIN LAYER OF SLICK HONEY TO INSTALL ON AIR VALVE.  
 APPLY A THIN LAYER OF FLOAT FLUID ON INSTALLED AIR VALVE  
 O-RING PRIOR TO AIR VALVE INSTALLATION.



SECTION A-A  
SCALE 1.500

<b>FOX</b>		<b>FOX Factory, Inc.</b>		Ph 831-768-1100
		130 Hangar Way, Watsonville, CA 95076 USA		Fax 831-768-9312
TITLE				
Eyelet 2017, FLOAT DPS, 3pos-adj				
SV TRUNNION				
SIZE		DWG. NO.		
C		808-17-304-KIT		
PLOT SCALE   .50:1		SHEET 1 OF 2		

PROPRIETARY -  
 THIS DOCUMENT CONTAINS CONFIDENTIAL, PROPRIETARY INFORMATION  
 THAT IS FOX PROPERTY. DO NOT DISCLOSE TO OR DUPLICATE  
 FOR OTHERS EXCEPT AS AUTHORIZED BY FOX.