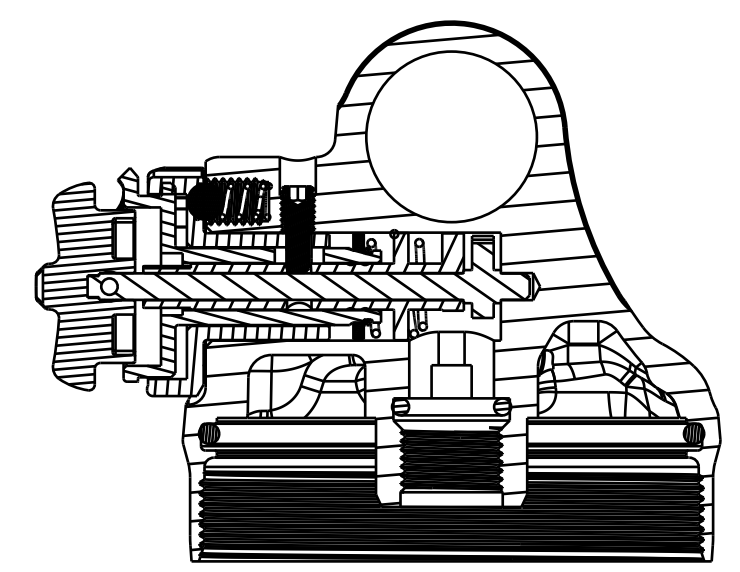
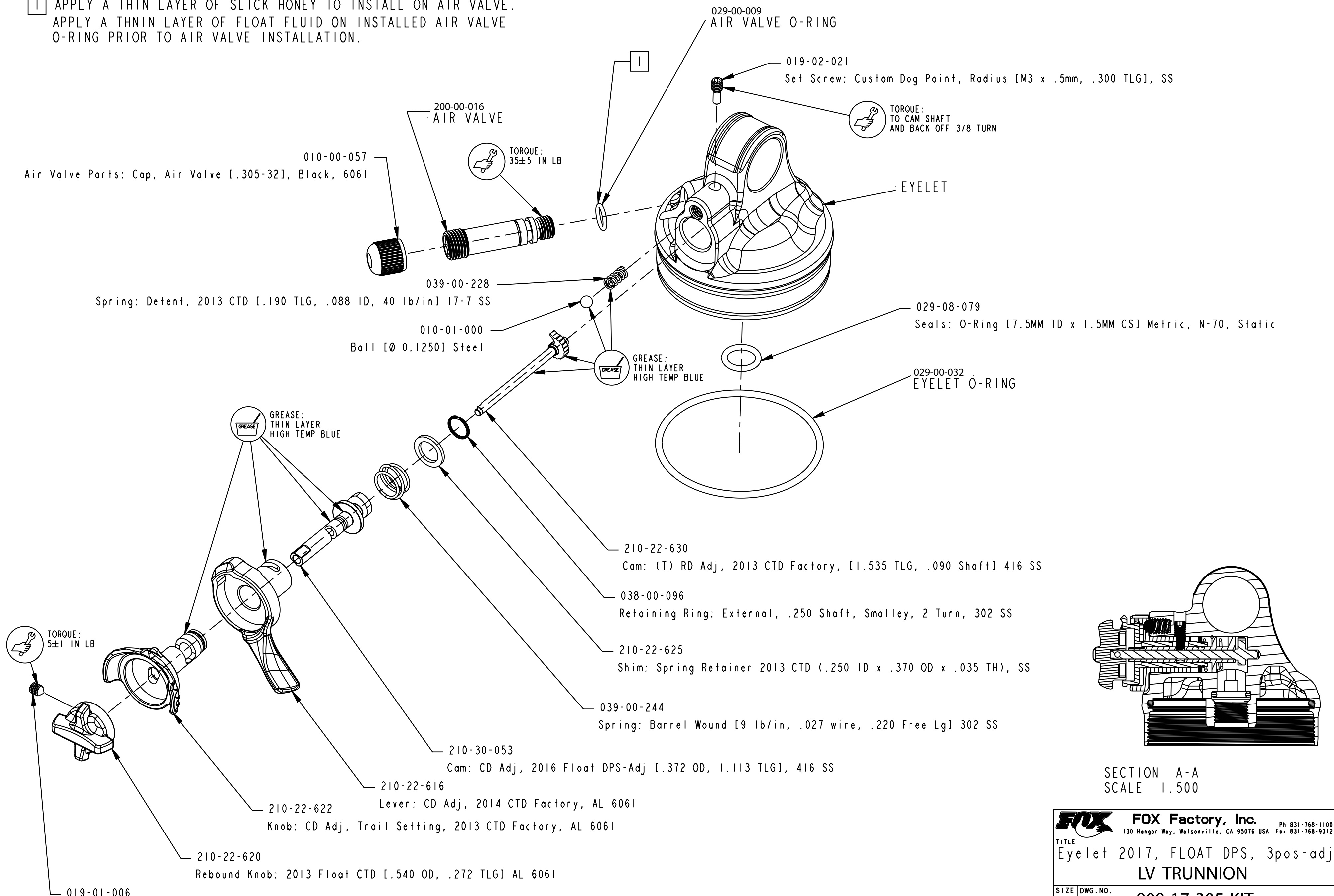


NOTES:

I APPLY A THIN LAYER OF SLICK HONEY TO INSTALL ON AIR VALVE.
 APPLY A THIN LAYER OF FLOAT FLUID ON INSTALLED AIR VALVE
 O-RING PRIOR TO AIR VALVE INSTALLATION.



SECTION A-A
SCALE 1.500

FOX		FOX Factory, Inc.	Ph 831-768-1100
		130 Hangar Way, Watsonville, CA 95076 USA	Fax 831-768-9312
TITLE			
Eyelet 2017, FLOAT DPS, 3pos-adj			
LV TRUNNION			
SIZE		DWG. NO.	
C		808-17-305-KIT	
PLOT SCALE .50:1		SHEET 1 OF 2	

PROPRIETARY - THIS DOCUMENT CONTAINS CONFIDENTIAL, PROPRIETARY INFORMATION THAT IS FOX PROPERTY. DO NOT DISCLOSE TO OR DUPLICATE FOR OTHERS EXCEPT AS AUTHORIZED BY FOX.