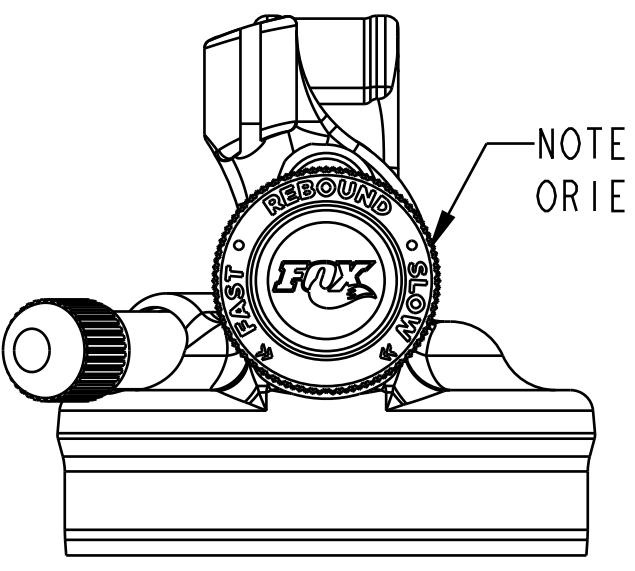


SECTION B-B



NOTE KNOB ORIENTATION [3]

- [2] NOTE PART IDENTIFICATION GROOVES FOR LV DOWN CONFIGURATIONS.
- [3] FOX LOGO AS SHOWN WHEN KNOB IN MIDDLE OF ADJUSTMENT RANGE.
- [4] PULLEY TO BE FULLY SEATED AGAINST COMPRESSION CAM FLANGE.
- [5] APPLY THIN LAYER SLICK HONEY TO INSTALL ON AIR VALVE. APPLY THIN LAYER FLOAT FLUID ON INSTALLED AIR VALVE O-RING PRIOR TO AIR VALVE INSTALLATION.
- [6] BLACK TORX SET SCREW FIXES PULLEY TO CAM.
- [7] STAINLESS HEX SET SCREW FIXES CABLE TO PULLEY.

PROPRIETARY
THIS DOCUMENT CONTAINS CONFIDENTIAL, PROPRIETARY INFORMATION
THAT IS FOX PROPERTY. DO NOT DISCLOSE TO OR DUPLICATE
FOR OTHERS EXCEPT AS AUTHORIZED BY FOX.

	FOX Factory, Inc.		Ph 831-768-1100
	130 Hangar Way, Watsonville, CA 95076 USA		Fax 831-768-9312
TITLE	Eyelet, LV DOWN 2017 FLOAT Remote		
SIZE	DWG. NO.	808-17-315-KIT	
C	PLOT SCALE .50:1	SHEET 1 OF 2	