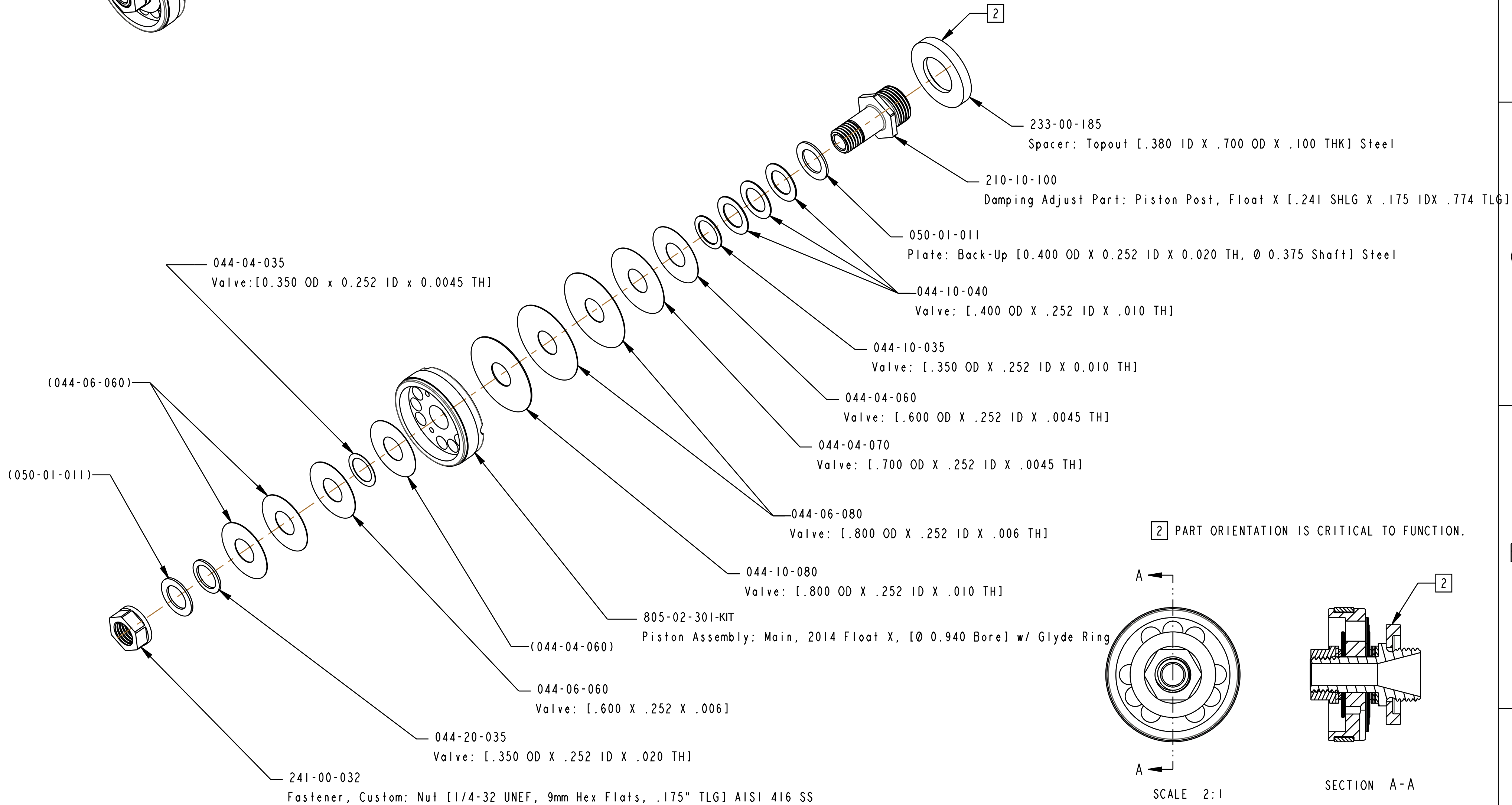
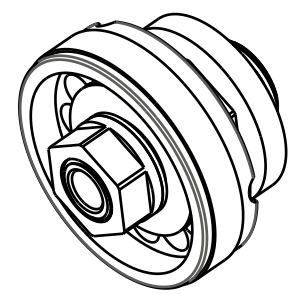


4

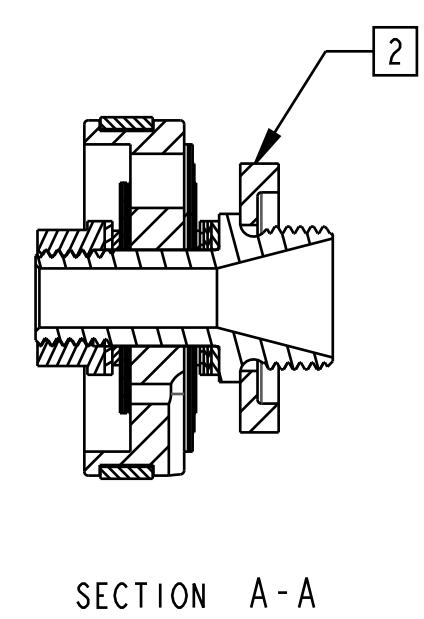
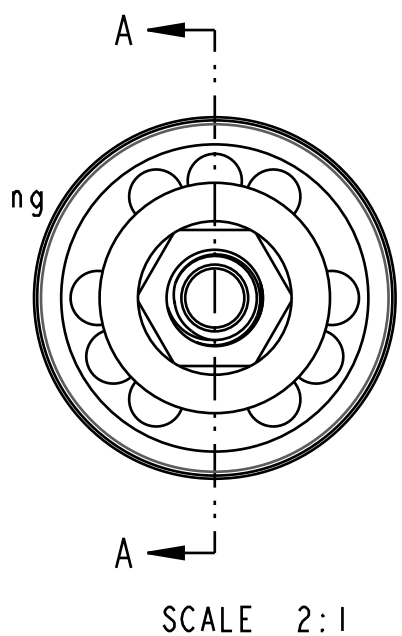
3

2

1



2 PART ORIENTATION IS CRITICAL TO FUNCTION.



- PROPRIETARY -
THIS DOCUMENT CONTAINS CONFIDENTIAL, PROPRIETARY INFORMATION
THAT IS FOX PROPERTY. DO NOT DISCLOSE TO OR DUPLICATE
FOR OTHERS EXCEPT AS AUTHORIZED BY FOX.

	FOX Factory, Inc. 130 Hangar Way, Watsonville, CA 95076 USA Ph 831-768-1100 Fax 831-768-9312	
	Valving Assy: 2017 FLOAT X, CXF, RL+	
TITLE C	DWG. NO. 807-72-216-KIT	
SIZE C	PLOT SCALE 1.5:1	SHEET 1 OF 1