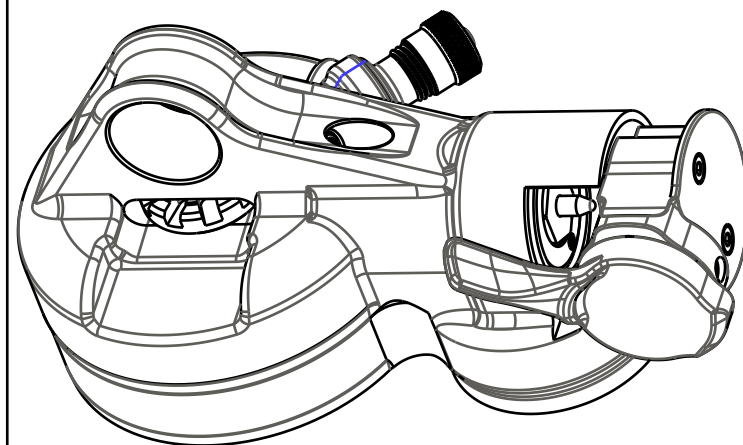


4

3

2

1



010-00-025
Cap, Air Valve, Short [.305-32] Black

802-00-010-KIT
Air Valve Assy: Allen [5/16-32 ORB X Schrader]

TORQUE:
35±5 IN.LB.

010-01-000
Ball [Ø 0.1250] Steel

039-00-264
Spring: [0.190 TLG X 0.120 OD X 25.6 lbs/in] 17-7 SS, left hand wound

018-01-007 [2]
Socket Set Half Dog Point Screw [#8-32 X 0.250 TLG]

[2] INSERT SET SCREW DEEP ENOUGH FOR AUDIBLE CLICKS.

820-07-120-KIT
Lever Housing Assy: 2016 Float X 3pos

[3] GREASE BORE PRIOR TO CARTRIDGE INSTALLATION.

TORQUE:
2±.5 IN.LB.

(2X 019-01-093)

TORQUE:
75±5 IN.LB.

FLOAT X RESI CARTRIDGE

029-03-023
Seals:O-Ring [(-023) .070 C.S. X 1.051 ID] Standard, N-70, Static

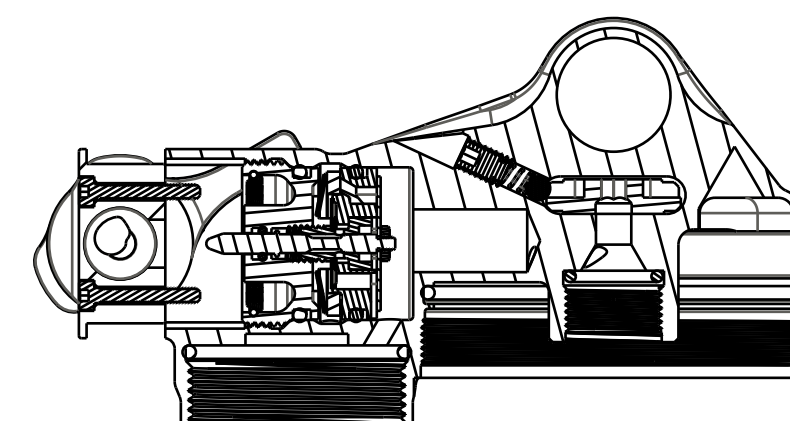
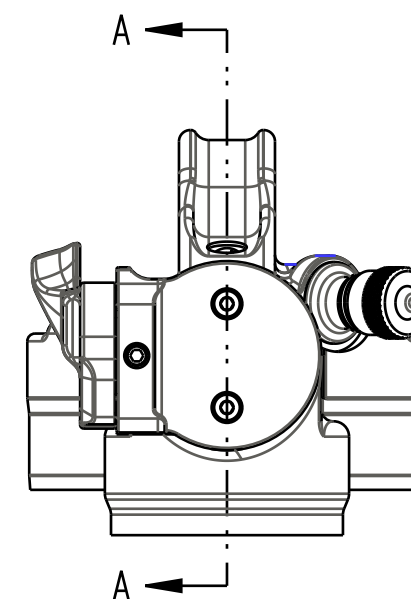
Eyelet, LV 2014 Float X, CTD-Adj 6061-T6, Black Ano III

GREASE:
THIN LAYER
OF SLICK HONEY

210-03-171
Dial, RD Adjust [.700 OD X .125 Hex X .180 TLG]

029-08-030
Seals: O-Ring [10.0MM ID x 1.5MM CS] Metric, N-70, Static

029-00-032
Seals:O-Ring [(-032) .070 C.S. X 1.864 ID] Standard N674-70, Dynamic



SECTION A-A

- PROPRIETARY -
THIS DOCUMENT CONTAINS CONFIDENTIAL, PROPRIETARY INFORMATION
THAT IS FOX PROPERTY. DO NOT DISCLOSE TO OR DUPLICATE
FOR OTHERS EXCEPT AS AUTHORIZED BY FOX.

FOX Factory, Inc. Ph 831-768-1100
130 Hangar Way, Watsonville, CA 95076 USA Fax 831-768-9312

TITLE
**Eyelet Assy:
2016 Float X, 3pos**

SIZE DWG. NO. **808-17-204-KIT**

PLOT SCALE | .00:1

SHEET 1 OF 1

4

3

2

ProE ASSEM