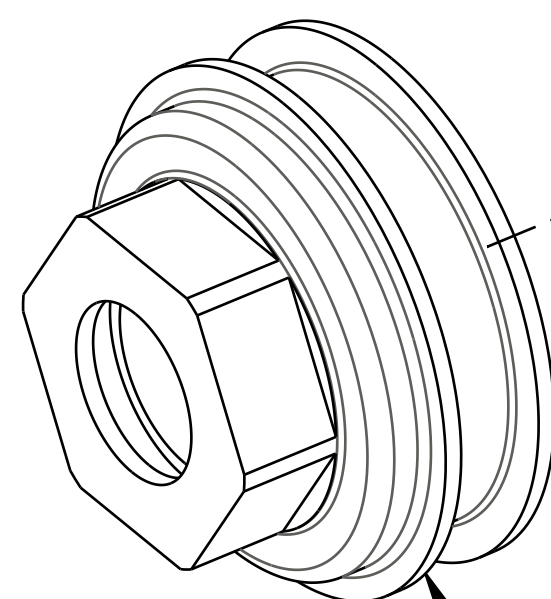
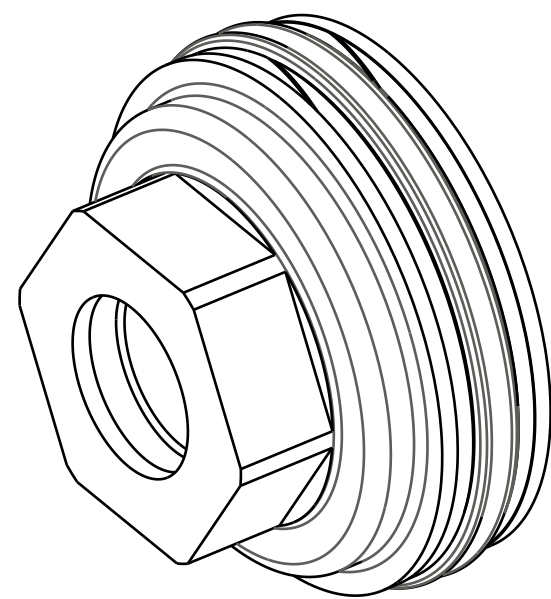


4

3

2

1



Bearing [.118 W X 1.491 OD X .047 TH, Ø1.50 Bore]

Seals: Q-Ring, Custom Angle

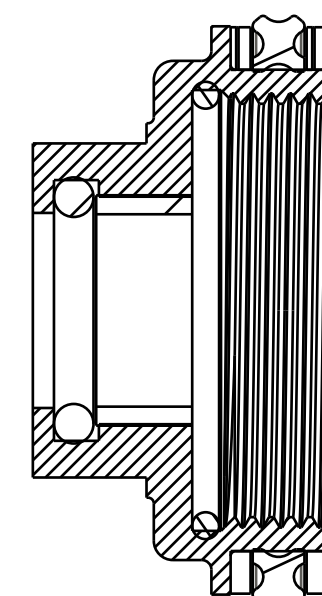
Bearing [.118 W X 1.491 OD X .047 TH, Ø1.50 Bore]

Seals: O-Ring [(-023) .070 C.S. X 1.051 ID] Standard, N-70, Static

Bearing: [.500 ID X .250 TLG]

O-Ring [(-112) .103 C.S. X .487 ID]

Bearing Housing: Black [.940 Bore, 1.500 Bore, .500 Shaft, .815 TLG]



SECTION A-A

FOX FOX Factory, Inc. Ph 831-768-1100
 130 Hangar Way, Watsonville, CA 95076 USA Fax 831-768-9312

TITLE
Bearing Assembly: Black
1.940 Bore, 1.500 Bore, .500 Shaft, .815 TLG

SIZE DWG. NO.
C 812-06-046-KIT

PLOT SCALE 2:1 SHEET 1 OF 1

- PROPRIETARY -
 THIS DOCUMENT CONTAINS CONFIDENTIAL, PROPRIETARY INFORMATION
 THAT IS FOX PROPERTY. DO NOT DISCLOSE TO OR DUPLICATE
 FOR OTHERS EXCEPT AS AUTHORIZED BY FOX.

4

3

2