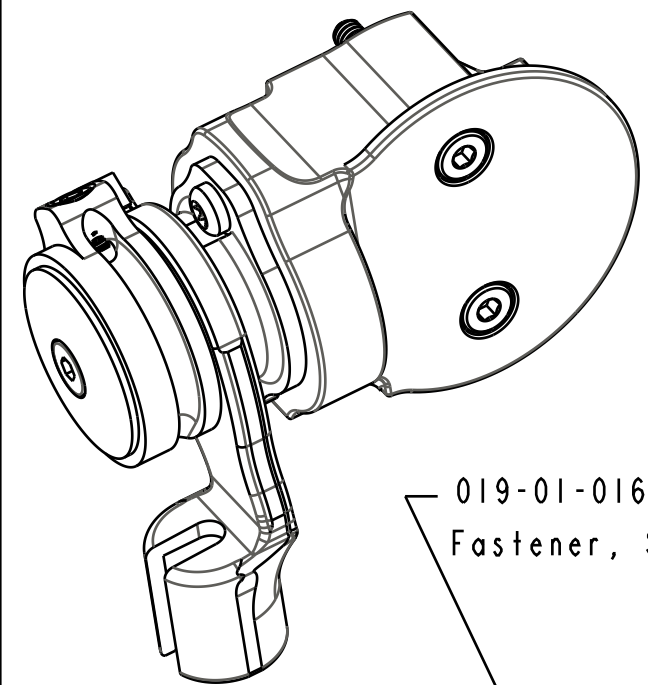


4

3

2

1



234-04-447
Lever, Housing, 2014 Float X Remote [.375 Bore, .985 Cap OD] AL, Black Ano II

019-01-016
Fastener, Standard (Metric): Screw [M3 x 4mm] SS Socket Set Cup Point Patchlock

GREASE:
THIN LAYER
HI-TEMP GREASE (BLUE)

(019-01-093)
019-01-093
Socket Head Cap Screw [M2 x .4 x 14mm SHLG] 18-8 SS

TORQUE:
START THREADS
2 TURNS

TORQUE:
5±1 IN.LB.

4 MARK ON END OF CAM IDENTIFIES SET SCREW LOCATION FOR "CABLE STOP UP" ASSEMBLY ORIENTATION. ATTACH SET SCREW TO OPPOSITE FLAT FOR "CABLE STOP DOWN" ORIENTATION.

210-30-059
Cam: CD Adj, 2016 Float X Remote [.372 OD, 1.235 TLG] 416 SS, Improved

039-00-368
Spring: Torsion, 2014-16 Dish/DPS/X Remote, [.0071 in-lb], Unplated

2 SPRING END MUST BE ORIENTED AS SHOWN FOR PROPER CAM ALIGNMENT AND SHOCK FUNCTION.

GREASE:
THIN LAYER
HI-TEMP GREASE (BLUE)

210-22-770
019-01-099 Base Plate: 2014 Float X Remote [.375 hex, .325 TLG] AL, Black Ano II
Torx T6, Button Head Cap Screw [M2x.4x8mm], Class 8.8, Zinc

TORQUE:
5±1 IN.LB.

026-03-048
Housing Stop: 2013 CTD Cable Remote

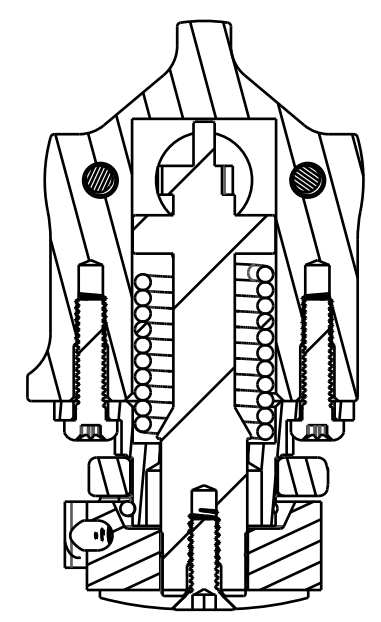
038-00-095
Retaining Ring: External, Round Wire [.038 Wire OD, .360 free ID]

210-22-666
Pulley: 2013 CTD Cable Remote

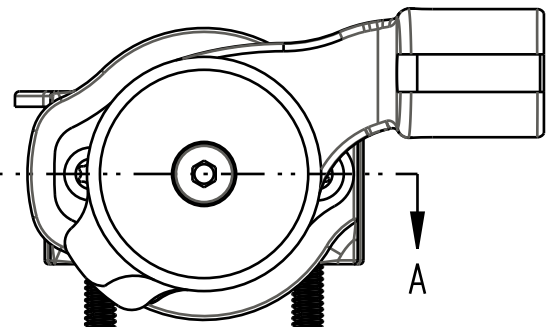
TORQUE:
5±1 IN.LB.

019-01-101
234-04-919 Fastener, Standard (Metric): Screw [M3 x .5mm x 4mm] SS, Socket Set Flat Point,
Cover Plate, Adj Knob, 2016 Float X, AL, Black Ano II

019-01-071
Screw [M2 x 8mm] Socket, Flathead, SST



SECTION A-A



VIEW A

FOX FOX Factory, Inc. Ph 831-768-1100
130 Hangar Way, Watsonville, CA 95076 USA Fax 831-768-9312

TITLE
**Lever Housing Assy:
2016 Float X Remote**

SIZE DWG. NO.
C 820-07-122-KIT

PLOT SCALE 2:1 SHEET 1 OF 2

PROPRIETARY
THIS DOCUMENT CONTAINS CONFIDENTIAL, PROPRIETARY INFORMATION
THAT IS FOX PROPERTY. DO NOT DISCLOSE TO OR DUPLICATE
FOR OTHERS EXCEPT AS AUTHORIZED BY FOX.

4

3

2

ProE ASSEM