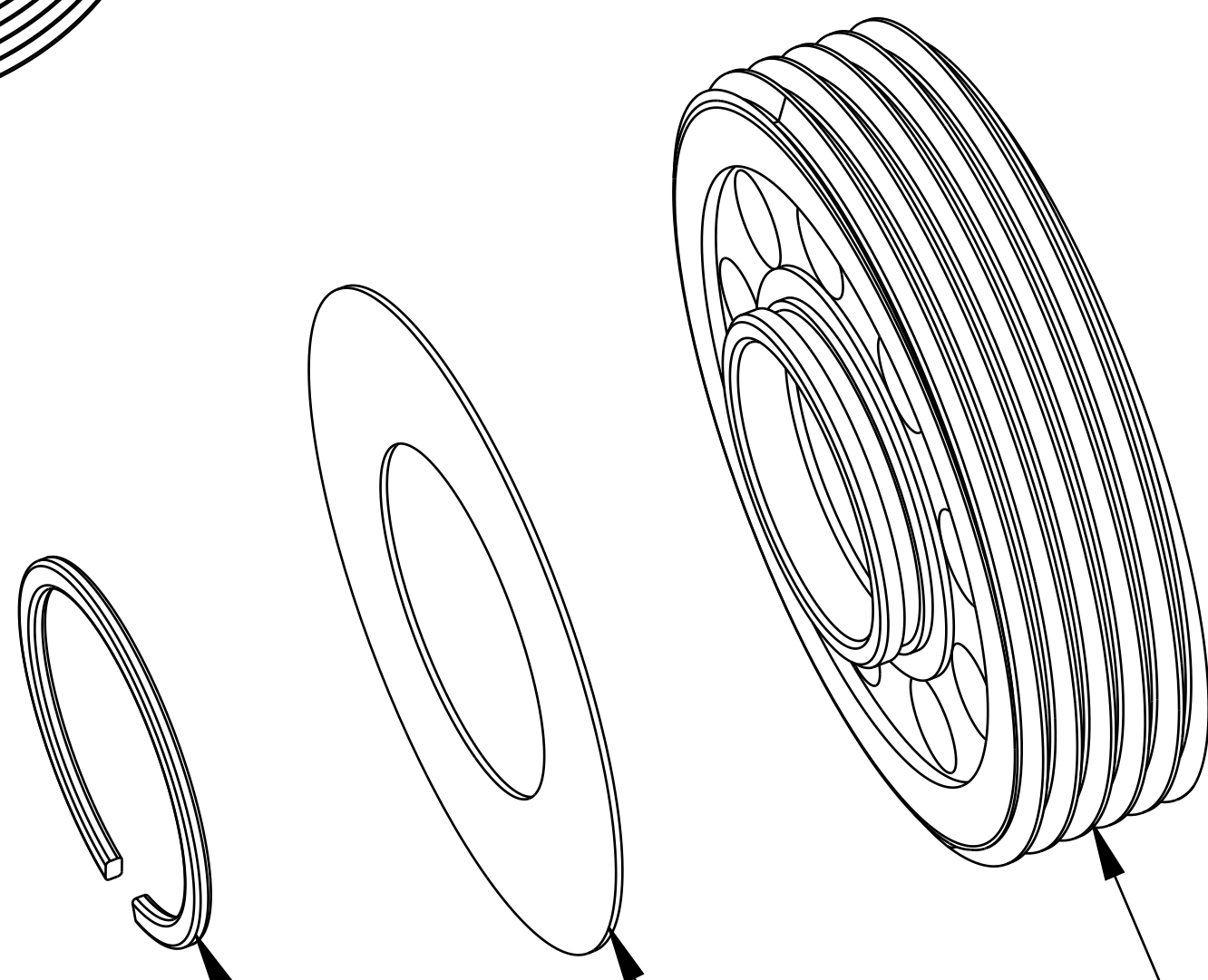
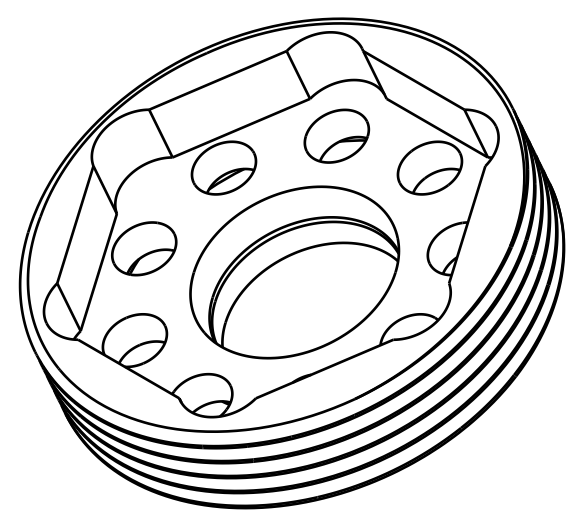


4

3

2

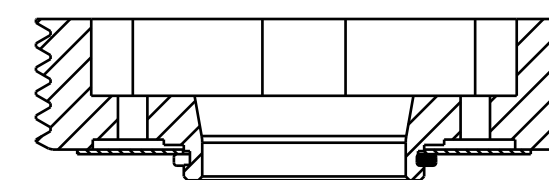
1



210-22-910  
Housing: Base Valve, DHX2, FloatX2

045-00-150  
Valve: Metric [15mm OD X 8mm ID X .15mm]

038-00-127  
Retaining Ring: Smalley VS31S16



SECTION A-A

**FOX** FOX Factory, Inc. Ph 831-768-1100  
130 Hangar Way, Watsonville, CA 95076 USA Fax 831-768-9312

TITLE  
**Valve Seat Assy:  
DHX2, Float X2**

SIZE DWG. NO. **815-02-046-KIT**

PLOT SCALE 4.00:1

SHEET 1 OF 1

- PROPRIETARY -  
THIS DOCUMENT CONTAINS CONFIDENTIAL, PROPRIETARY INFORMATION  
THAT IS FOX PROPERTY. DO NOT DISCLOSE TO OR DUPLICATE  
FOR OTHERS EXCEPT AS AUTHORIZED BY FOX.

4

3

2

1