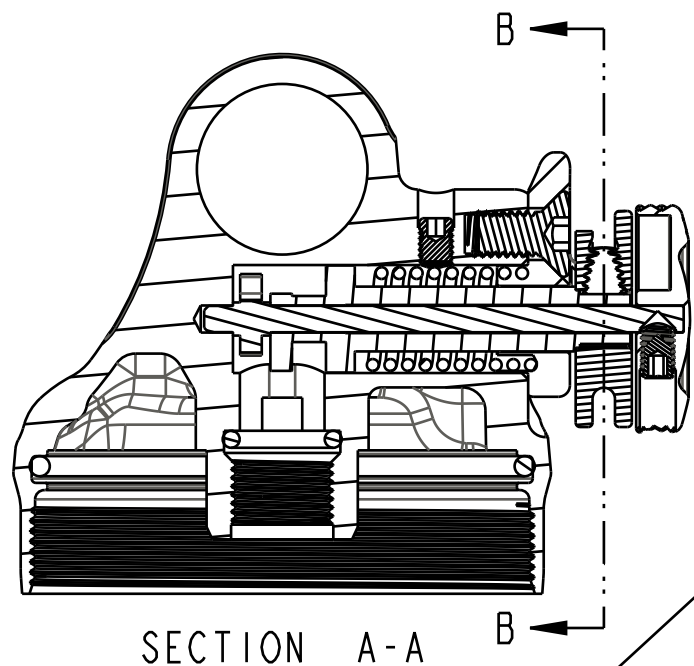


4

3

2

1



SECTION A-A

EYELET

241-02-109
Fastener, Custom: Set Screw, Flanged, M3, 2017 Lockout

039-00-382
Spring: Torsion, 2014-17 Dish/DPS Remote, [.0071 in-lb/deg], Unplated

CABLE HANGER
210-24-053

CABLE HANGER FASTENER
019-01-129

TORQUE:
8±2 IN.LB.

TORQUE:
25±5 IN.LB.

019-01-134
Set Screw [M4 x .7mm x 4mm] Flat Point, Torx, Black,

210-24-054
Pulley: 2016 Nude 3 DPS-Remote

019-01-070
Set Screw [M4 x .7mm x 4mm] , SS

TORQUE:
START THREAD 2 TURNS

210-24-055
Rebound Knob: 2014 Scott Evolution

TORQUE:
5±1 IN.LB.

019-01-006
Fastener, Standard (Metric): Screw [M3 x 4mm] SS Socket Set Cone Point

REBOUND CAM
210-24-150

TORQUE:
5±1 IN.LB.

GREASE:
THIN LAYER
HIGH TEMP BLUE

GREASE:
THIN LAYER
HIGH TEMP BLUE

GREASE:
THIN LAYER
HIGH TEMP BLUE

TORQUE:
35±5 IN.LB.

COMPRESSION CAM
210-30-070

010-00-057
Air Valve Parts: Cap, Air Valve [.305-32], Black, 6061

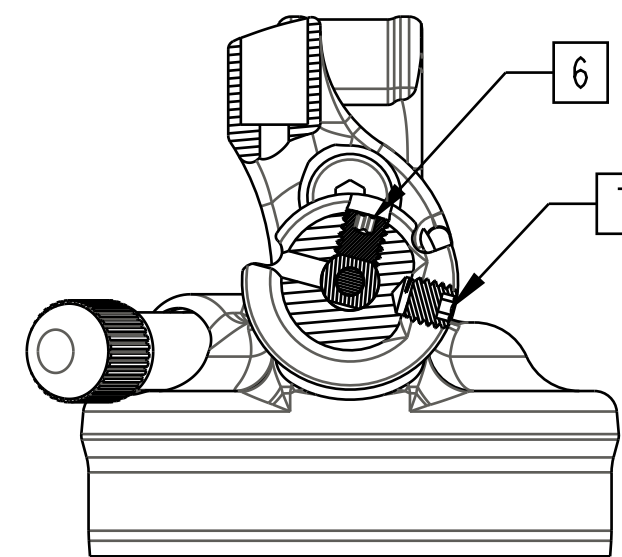
AIR VALVE
802-00-007-KIT

AIR VALVE O-RING
029-08-082

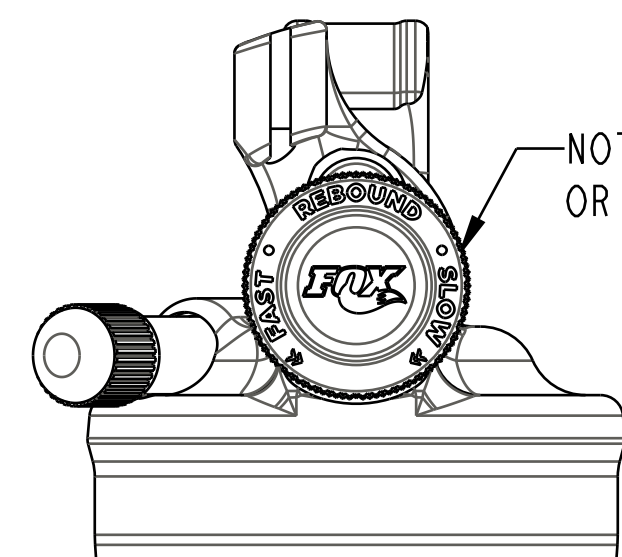
029-08-079
Seals: O-Ring [7.5MM ID x 1.5MM CS] Metric, N-70, Static

EYELET O-RING
029-00-030

GREASE:
THIN LAYER
SLICK HONEY



SECTION B-B



NOTE KNOB
ORIENTATION

2 NOTE PART IDENTIFICATION GROOVES FOR LV DOWN CONFIGURATIONS.

3 FOX LOGO AS SHOWN WHEN KNOB IN MIDDLE OF ADJUSTMENT RANGE.

4 PULLEY TO BE FULLY SEATED AGAINST COMPRESSION CAM FLANGE.

5 APPLY THIN LAYER SLICK HONEY TO INSTALL ON AIR VALVE.
APPLY THIN LAYER FLOAT FLUID ON INSTALLED AIR VALVE O-RING
PRIOR TO AIR VALVE INSTALLATION.

6 BLACK TORX SET SCREW FIXES PULLEY TO CAM.

7 STAINLESS HEX SET SCREW FIXES CABLE TO PULLEY.

PROPRIETARY -
THIS DOCUMENT CONTAINS CONFIDENTIAL, PROPRIETARY INFORMATION
THAT IS FOX PROPERTY. DO NOT DISCLOSE TO OR DUPLICATE
FOR OTHERS EXCEPT AS AUTHORIZED BY FOX.

FOX **FOX Factory, Inc.** Ph 831-768-1100
130 Hangar Way, Watsonville, CA 95076 USA Fax 831-768-9312

TITLE
Service Set: Eyelet Assy:
2017 FLOAT DPS Remote Up, SV

SIZE DWG. NO. 808-17-312-KIT

PLOT SCALE | .50:1 | SHEET 1 OF 2

4

3

2

ProE ASSEM