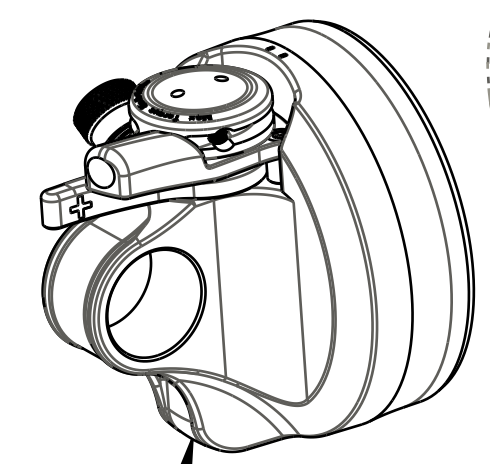


DETAIL A  
SCALE 8:000

IMPORTANT:  
LIP ORIENTATION  
TOWARDS AIR SLEEVE

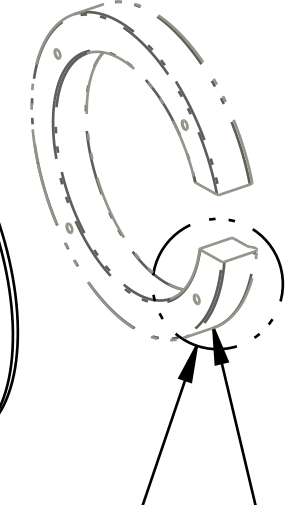
043-15-070  
Valve: [.850 OD X .356 ID X .015 TH]

Seals: O-ring [.050 C.S. x .154 ID] Special N0552-90, Dynamic



EYELET ASSEMBLY  
808-17-163-KIT

SEE DETAIL A



GREASE:  
GREASE BALL

029-05-030  
TORQUE: 85±5 IN.LB.

METERING ROD  
210-84-004

LOCTITE:  
RED 277

GREASE:  
THIN LAYER

010-01-009  
Ball [Dia 1.5MM]Steel

029-12-000  
Seals: O-ring, Square cut [0.087 ID X 0.039 WALL X 0.036 TH], NA103-70, Dynamic

VOLUME SPACER  
233-00-214

Air Valve Parts: Pellet [Ø 0.275 X 0.125 TLG] nitrile durometer A 90

010-00-011

010-00-010  
Pellet Retainer [5/16-24, .220 TLG]

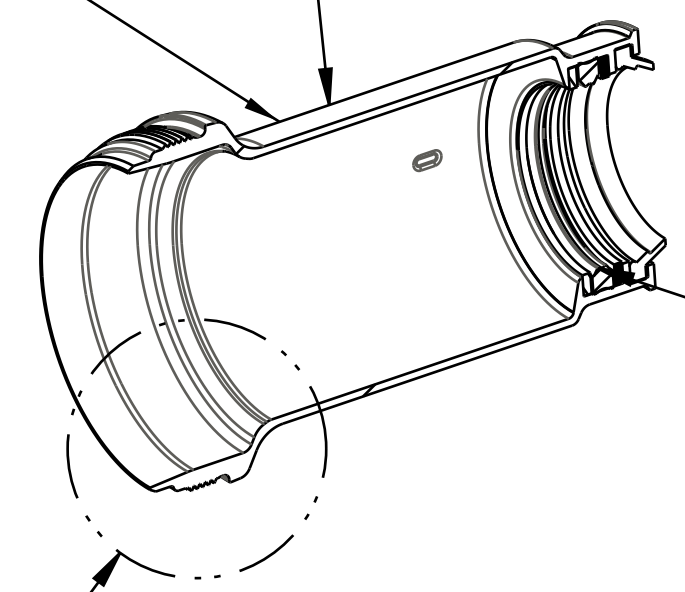
010-01-003  
Ball [Ø 0.1875] Delrin

TORQUE:  
14±2 IN.LB.

OIL:  
2±.2cc  
FLOAT FLUID

AIR SLEEVE ASSEMBLY  
806-29-331-KIT

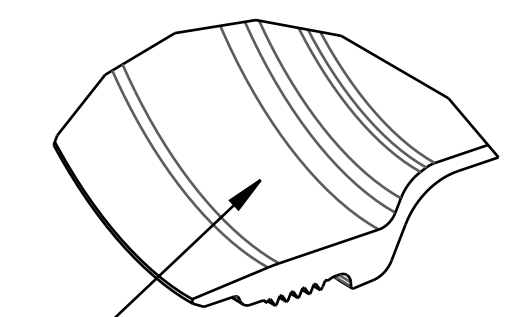
029-03-022  
O-Ring (-022) [1.070 C.S. X .989 ID]



GREASE:  
THIN LAYER  
OF SLICK HONEY

TORQUE:  
45±5 IN. LB.  
HAND TIGHT

SEE DETAIL B



DETAIL B  
SCALE 2:1

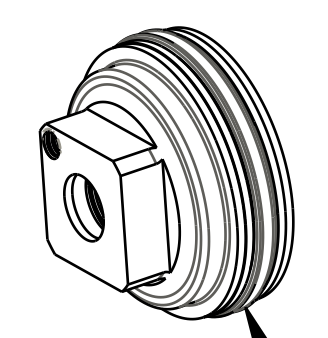
GREASE:  
THIN LAYER  
OF SLICK HONEY

TORQUE:  
10-15 IN.LB.

010-01-000  
Ball [Ø 0.1250] Steel

TORQUE:  
60±5 IN.LB.

GREASE:  
THIN LAYER



BEARING ASSEMBLY  
812-06-060-KIT

018-01-034  
Set Screw [#8-32 X 0.125 TLG] Flat Point, SS

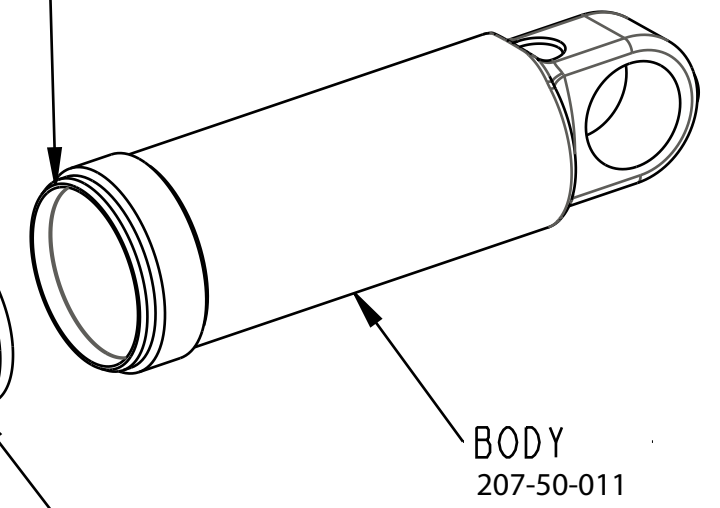
029-08-122  
Seals: O-Ring [8.5mm ID x 2.5mm CS]Metric, N-70, static

SHAFT  
229-72-004

TORQUE:  
3±.25 IN.LB.

GREASE:  
THIN LAYER

TORQUE:  
20±2 FT. LB.



805-00-092-KIT  
Piston Assembly: Floating [Ø 0.940 Bore, 0.325 TLG]

018-01-015  
Screw [#1-64 X .188 TLG]

078-04-060  
Valve: (T) [.600 OD X .076 ID X .0045 TH]

078-04-080  
Valve: (T) [.800 OD X .076 ID X .0045 TH]

241-01-061  
Washer: L/O plate, Dish WRD [.800 O.D. X .076 I.D. X .020 TH]

COMPRESSION ROD  
210-24-021

VALVE ASSEMBLY  
807-06-182-KIT

IFP Depth: 2.360in +/- 0.020 IFP Pressure: 500psi

**FOX Factory, Inc.**  
130 Hangar Way, Watsonville, CA 95076 USA  
Ph 831-768-1100 Fax 831-768-9312

TITLE  
2017, Nude 3 DPS Evol, K, Scott, (e-)Genius 700 Plus Tuned,  
7.500, 2.000, CL+, RM, CMF, YS-798/YS-798

SIZE DWG. NO. **972-91-122**

PLOT SCALE 1.00:1 SHEET 1 OF 2

PROPRIETARY - THIS DOCUMENT CONTAINS CONFIDENTIAL, PROPRIETARY INFORMATION THAT IS FOR PROPERTY. DO NOT DISCLOSE TO OR DUPLICATE FOR OTHERS EXCEPT AS AUTHORIZED BY FOX.