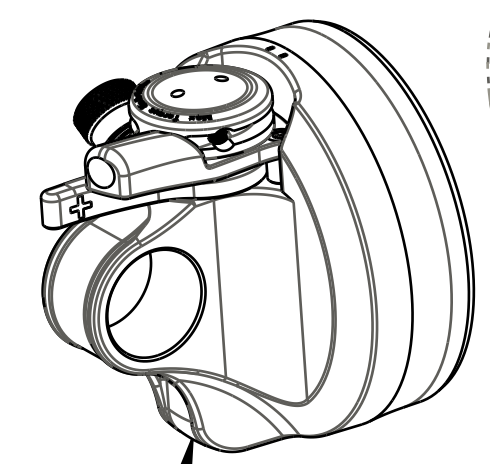


DETAIL A
SCALE 8:000

IMPORTANT:
LIP ORIENTATION
TOWARDS AIR SLEEVE

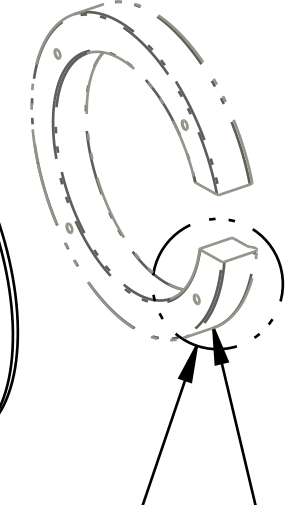
043-15-070
Valve: [.850 OD X .356 ID X .015 TH]

Seals: O-ring [.050 C.S. x .154 ID] Special N0552-90, Dynamic



EYELET ASSEMBLY
808-17-163-KIT

SEE DETAIL A



VOLUME SPACER
233-00-213

010-01-009
Ball [Dia 1.5MM]Steel

029-12-000
Seals: O-ring, Square cut [0.087 ID X 0.039 WALL X 0.036 TH], NA103-70, Dynamic

METERING ROD
210-84-005

LOCTITE:
RED 277

GREASE:
THIN LAYER

TORQUE:
85±5 IN.LB.

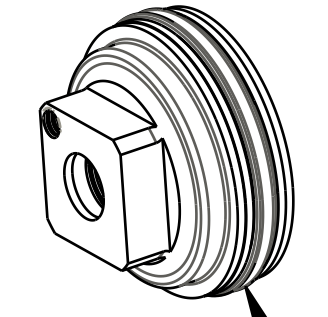
SHAFT
229-72-005

TORQUE:
10-15 IN.LB.

010-01-000
Ball [Ø 0.1250] Steel

TORQUE:
60±5 IN.LB.

GREASE:
THIN LAYER



BEARING ASSEMBLY
812-06-060-KIT

018-01-034
Set Screw [#8-32 X 0.125 TLG] Flat Point, SS

029-08-122
Seals: O-Ring [8.5mm ID x 2.5mm CS]Metric, N-70, static

Air Valve Parts: Pellet [Ø 0.275 X 0.125 TLG] nitrile durometer A 90

010-00-011

010-00-010
Pellet Retainer [5/16-24, .220 TLG]

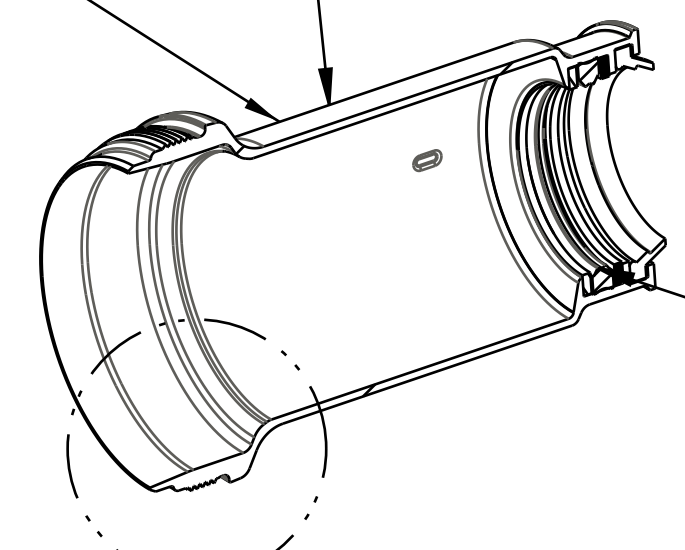
010-01-003
Ball [Ø 0.1875] Delrin

TORQUE:
14±2 IN.LB.

OIL:
2±.2cc
FLOAT FLUID

AIR SLEEVE ASSEMBLY
806-29-332-KIT

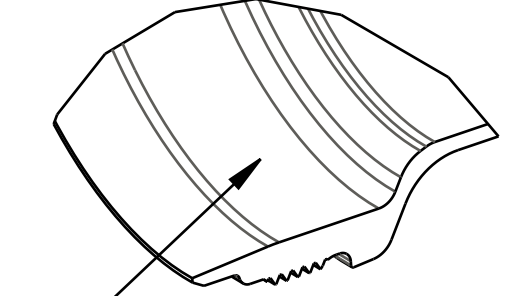
029-03-022
O-Ring (-022) [1.070 C.S. X .989 ID]



GREASE:
THIN LAYER
OF SLICK HONEY

TORQUE:
45±5 IN. LB.
HAND TIGHT

SEE DETAIL B

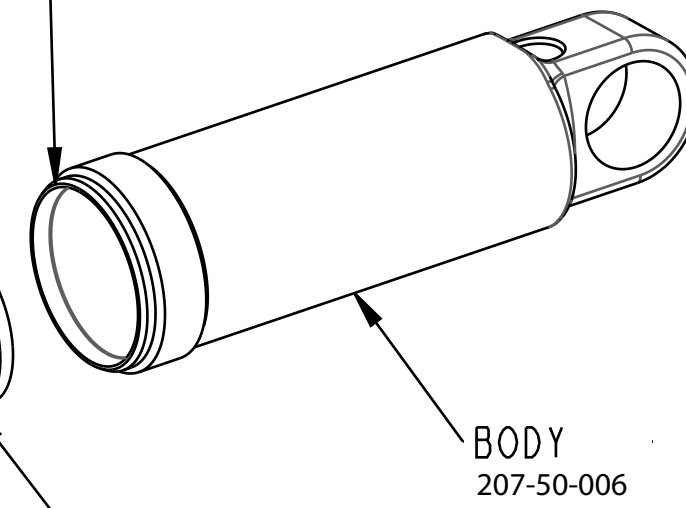


DETAIL B
SCALE 2:1

TORQUE:
3±.25 IN.LB.

GREASE:
THIN LAYER

TORQUE:
20±2 FT. LB.



BODY
207-50-006

805-00-092-KIT
Piston Assembly: Floating [Ø 0.940 Bore, 0.325 TLG]

018-01-015
Screw [#1-64 X .188 TLG]

078-04-060
Valve: (T) [.600 OD X .076 ID X .0045 TH]

078-04-080
Valve: (T) [.800 OD X .076 ID X .0045 TH]

241-01-061
Washer: L/O plate, Dish WRD [.800 O.D. X .076 I.D. X .020 TH]

COMPRESSION ROD
210-24-022

VALVE ASSEMBLY
807-06-182-KIT

IFP Depth: 2.580in +/- 0.020 IFP Pressure: 500psi

PROPRIETARY - THIS DOCUMENT CONTAINS CONFIDENTIAL, PROPRIETARY INFORMATION THAT IS FOR PROPERTY. DO NOT DISCLOSE TO OR DUPLICATE FOR OTHERS EXCEPT AS AUTHORIZED BY FOX.

FOX Factory, Inc.
130 Hangar Way, Watsonville, CA 95076 USA
Ph 831-768-1100
Fax 831-768-9312

TITLE
2017, Nude 3 DPS Evol, K, Scott, Genius 700 Premium,
7.875, 2.250, 0.1 Spacer, CL+, RM, CMF, PMS-431C/YS-794-1

SIZE DWG. NO. 972-91-123
PLOT SCALE 1.00:1 SHEET 1 OF 2