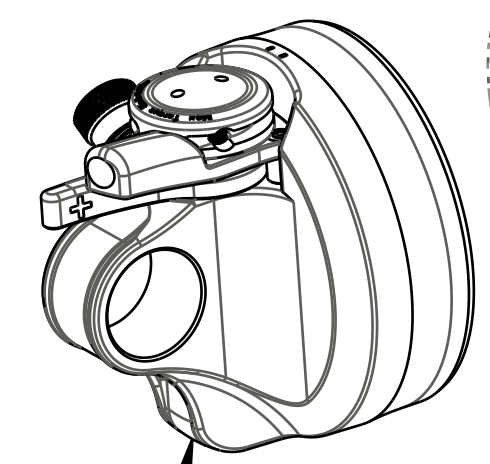


DETAIL A
SCALE 8:000

IMPORTANT:
LIP ORIENTATION
TOWARDS AIR SLEEVE

043-15-070
Valve: [.850 OD X .356 ID X .015 TH]

Seals: O-ring [.050 C.S. x .154 ID] Special N0552-90, Dynamic



EYELET ASSEMBLY
808-17-163-KIT

SEE DETAIL A

METERING ROD
210-84-006

010-01-009
Ball [Dia 1.5MM]Steel

029-12-000
Seals: O-ring, Square cut [0.087 ID X 0.039 WALL X 0.036 TH], NA103-70, Dynamic

VOLUME SPACER
233-00-214

Air Valve Parts: Pellet [Ø 0.275 X 0.125 TLG] nitrile durometer A 90

010-00-011

010-00-010
Pellet Retainer [5/16-24, .220 TLG]

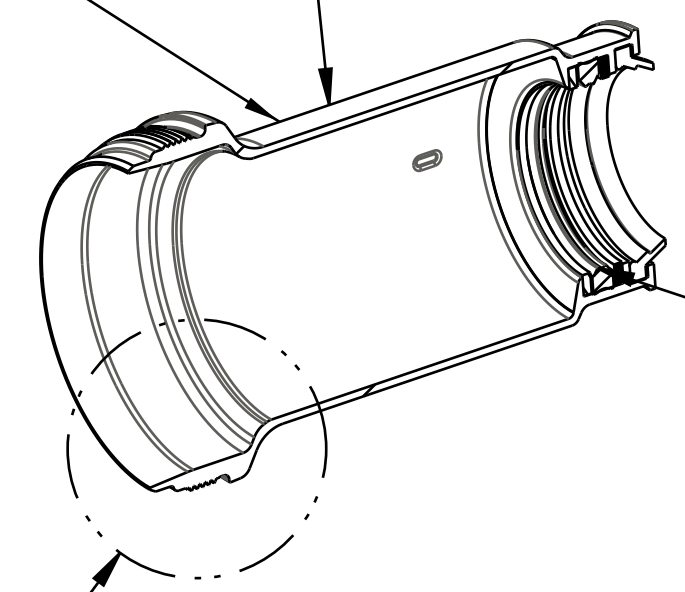
010-01-003
Ball [Ø 0.1875] Delrin

TORQUE:
14±2 IN.LB.

OIL:
2±.2cc
FLOAT FLUID

AIR SLEEVE ASSEMBLY
806-29-323-KIT

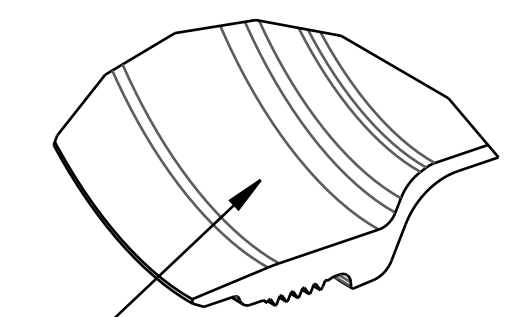
029-03-022
O-Ring (-022) [1.070 C.S. X .989 ID]



GREASE:
THIN LAYER
OF SLICK HONEY

TORQUE:
45±5 IN. LB.
HAND TIGHT

SEE DETAIL B



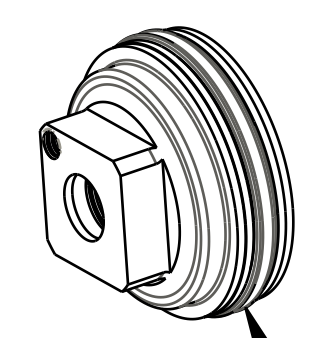
DETAIL B
SCALE 2:1

TORQUE:
10-15 IN. LB.

010-01-000
Ball [Ø 0.1250] Steel

TORQUE:
60±5 IN. LB.

GREASE:
THIN LAYER



BEARING ASSEMBLY
812-06-060-KIT

018-01-034
Set Screw [#8-32 X 0.125 TLG] Flat Point, SS

029-08-122
Seals: O-Ring [8.5mm ID x 2.5mm CS]Metric, N-70, static

SHAFT
229-72-006

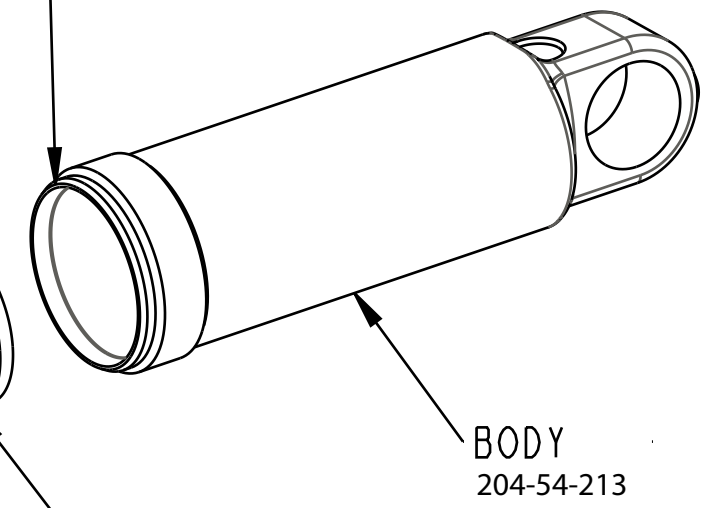
LOCTITE:
RED 277

GREASE:
THIN LAYER

TORQUE:
3±.25 IN. LB.

GREASE:
THIN LAYER

TORQUE:
20±2 FT. LB.



BODY
204-54-213

805-00-092-KIT
Piston Assembly: Floating [Ø 0.940 Bore, 0.325 TLG]

018-01-015
Screw [#1-64 X .188 TLG]

078-04-060
Valve: (T) [.600 OD X .076 ID X .0045 TH]

078-04-080
Valve: (T) [.800 OD X .076 ID X .0045 TH]

241-01-061
Washer: L/O plate, Dish WRD [.800 O.D. X .076 I.D. X .020 TH]

COMPRESSION ROD
210-24-023

VALVE ASSEMBLY
807-06-161-KIT

IFP Depth: 2.790in +/- 0.020 IFP Pressure: 500psi

FOX Factory, Inc.
130 Hangar Way, Watsonville, CA 95076 USA
Ph 831-768-1100
Fax 831-768-9312

TITLE
2017, Nude 3 DPS Evol, A, Scott, Genius LT 710 Plus,
8.500, 2.36, 0.2 Spacer, CM, RM, CMF, PMS-801/PMS-801

SIZE DWG. NO. **972-91-126**
PLOT SCALE 1.00:1 SHEET 1 OF 2

PROPRIETARY - THIS DOCUMENT CONTAINS CONFIDENTIAL, PROPRIETARY INFORMATION THAT IS FOR PROPERTY. DO NOT DISCLOSE TO OR DUPLICATE FOR OTHERS EXCEPT AS AUTHORIZED BY FOX.