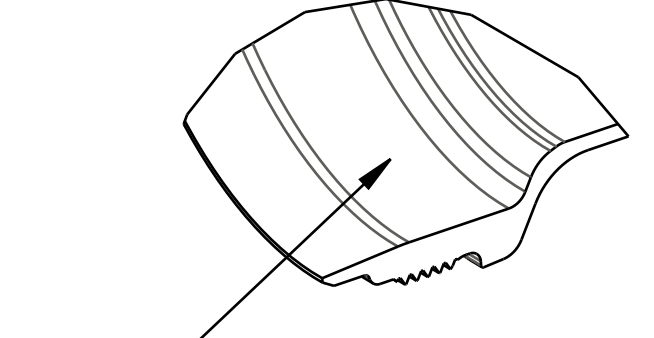
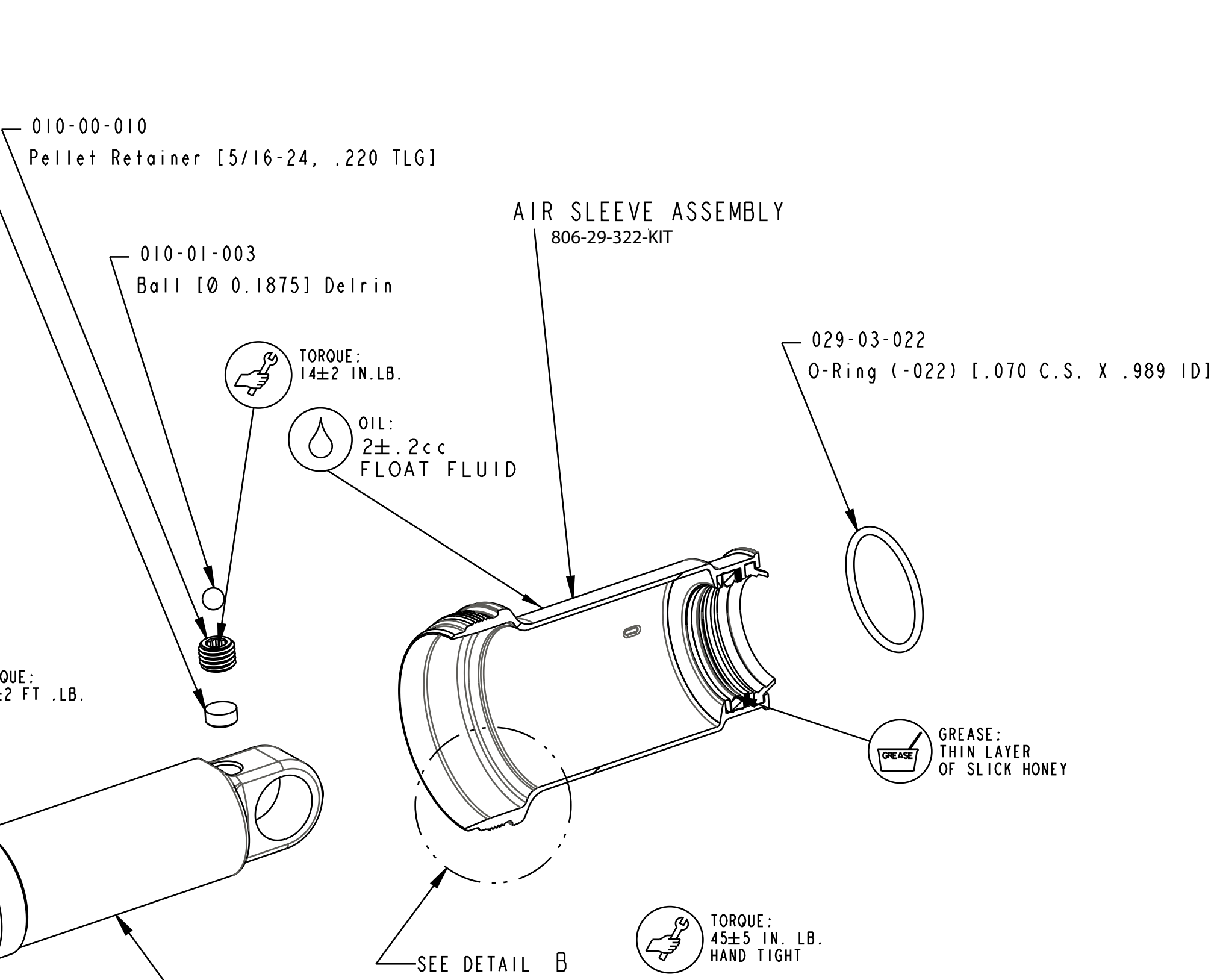


DETAIL A
SCALE 8:000

IMPORTANT:
LIP ORIENTATION
TOWARDS AIR SLEEVE

Air Valve Parts: Pellet [Ø 0.275 X 0.125 TLG] nitrile durometer A 90



DETAIL B
SCALE 2:1

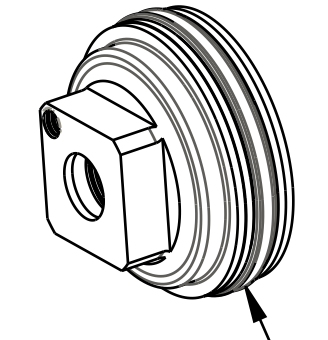
043-15-070 Valve: [1.850 OD X .356 ID X .015 TH]

010-01-000 Ball [Ø 0.1250] Steel

TORQUE: 60±5 IN.LB.

GREASE: THIN LAYER

TORQUE: 10-15 IN.LB.



BEARING ASSEMBLY
812-06-060-KIT

018-01-034 Set Screw [#8-32 X 0.125 TLG] Flat Point, SS

029-08-122 Seals: O-Ring [8.5mm ID x 2.5mm CS]Metric, N-70, static

BODY
204-54-206

805-00-092-KIT Piston Assembly: Floating [Ø 0.940 Bore, 0.325 TLG]

018-01-015 Screw [#1-64 X .188 TLG]

078-04-060 Valve: (T) [1.600 OD X .076 ID X .0045 TH]

078-04-080 Valve: (T) [1.800 OD X .076 ID X .0045 TH]

241-01-061 Washer: L/O plate, Dish WRD [1.800 O.D. X .076 I.D. X .020 TH]

COMPRESSION ROD
210-24-022

VALVE ASSEMBLY
807-06-182-KIT

Seals: O-ring [1.050 C.S. x .154 ID] Special N0552-90, Dynamic

029-05-030 TORQUE: 85±5 IN.LB.

GREASE: GREASE BALL

LOCTITE: RED 277

GREASE: THIN LAYER

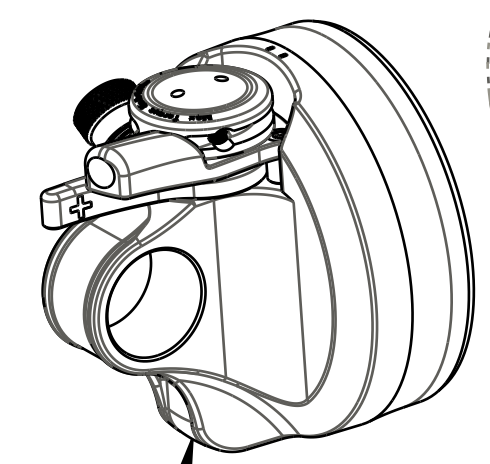
SHAFT
229-72-005

METERING ROD
210-84-005

010-01-009 Ball [Dia 1.5MM]Steel

029-12-000 Seals: O-ring, Square cut [0.087 ID X 0.039 WALL X 0.036 TH], NA103-70, Dynamic

VOLUME SPACER
233-00-213



EYELET ASSEMBLY
808-17-163-KIT

SEE DETAIL A

IFP Depth: 2.580in +/- 0.020 IFP Pressure: 500psi

FOX Factory, Inc.
130 Hangar Way, Watsonville, CA 95076 USA
Ph 831-768-1100 Fax 831-768-9312

TITLE
2017, Nude 3 DPS Evol, A, Scott, Genius 730,
7.875, 2.250, 0.1 Spacer, CL+, RM, CMF, PMS-431C/PMS-431C

SIZE DWG. NO. **972-91-137**

PLOT SCALE 1.00:1 SHEET 1 OF 2

PROPRIETARY - THIS DOCUMENT CONTAINS CONFIDENTIAL, PROPRIETARY INFORMATION THAT IS FOR PROPERTY. DO NOT DISCLOSE TO OR DUPLICATE FOR OTHERS EXCEPT AS AUTHORIZED BY FOX.